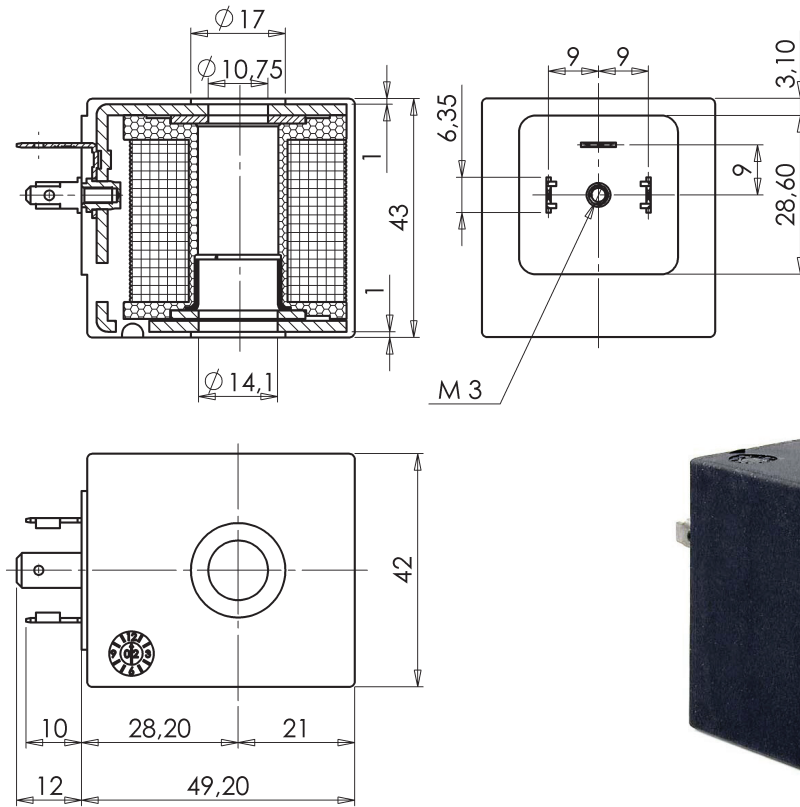


ASCO™ COIL

SPADE TERMINALS (DIN 46340)

SERIES
Z1



General Features

Complying with 2014/35/EU (LVD) and 2014/30/EU (EMC) directives.

Product in accordance with the RoHS 2 directive.
100% inspected.

Electric Connections

Spade terminals 6,3 x 0,8 (DIN46340), 2 line + 1 earth terminals.
3 poles plug connector (DIN 43650)

Encapsulation Materials

PET (polyethylene terephthalate) fiberglass reinforced (black colour).

Technical Features

Continuous Duty	ED 100%
Insulation class	Z130A - Z130C : F (140°C) Z134A : H (165°C)
Ambient temperature	Z130A - Z130C : -10°C +60°C Z134A : -10°C +80°C.
Protection degree	IP 65 (EN 60529) with plug connector
Voltages	DC 12-24V (+10% -5%)
	AC 24V/50Hz – 110V/50Hz (120V/60Hz) - 230V/50Hz (+10% -15%) (Other voltages and frequencies on request)

Type	Power absorption		DC (W)	Notes	Weight (kg)
	AC (VA)				
	Inrush	Holding			
Z130A	44	24	13	-	0,290
Z130C	-	-	6,5	-	
Z134A	44	24	13	1	

Notes

1 – UL APPROVAL (E153691).