

# EX PRESSOSTAT

Swiss based Trafag is a leading international supplier of high quality sensors and monitoring instruments for measurement of pressure and temperature.



## Applications

- Ex II 2G / D

## Features

- Rugged aluminium housing, option: housing stainless steel
- Protection IP66
- Any mounting position possible
- Ex db eb IIC T6 Gb
- Ex tb IIIC T80°C Db

Technical Data			
Measuring principle	Bellow	Media temperature	-40°C ... +150°C
Measuring range	-0.9 ... 1.5 to 4 ... 40 bar	Ambient temperature	-50°C ... +65°C
Output signal	1 Floating change-over contact (SPDT)	Approval / conformity	SEV 15 ATEX 0157 X IECEX SEV 17.0013X
Switching differential	Not adjustable	Type of protection	Areas with gaz explosion hazards: II 2G Ex db eb IIC T6 Gb Areas with dust explosion hazards: II 2D Ex tb IIIC T80°C Db
Repeatability	± 1.0 % FS typ.		

05/2021

Data sheet H72263p

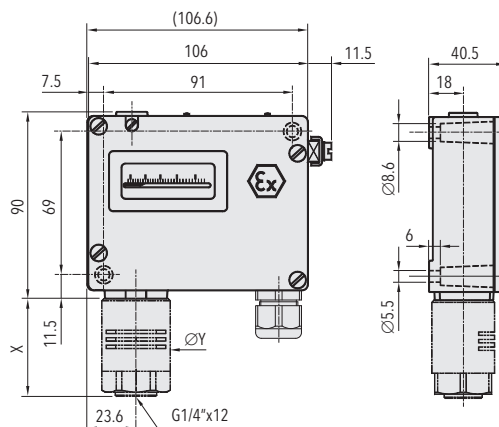
Subject to change

## Ordering information/type code

		XXX	XX	XX	XXX	XX	XX			
<b>Custom build code</b>	With display and adjusting screw	900								
	Without display, with adjusting screw	904								
	With display and adjusting knob	912								
<b>Microswitch</b>	Standard, not adjustable		91							
<b>Range</b>	<b>Range [bar]</b>	<b>Over pressure [bar]</b>	<b>Burst pressure [bar]</b>		<b>Range [bar]</b>	<b>Over pressure [bar]</b>	<b>Burst pressure [bar]</b>			
	-0.9 ... 1.5	10	13	72	1 ... 10	24	36			
	0.2 ... 1.6	10	13	73	1 ... 16	24	36			
	0.2 ... 2.5	10	13	75	2 ... 25	40	75			
	0 ... 4	12	26	76	4 ... 40	40	75			
	0 ... 6	12	26	77						
<b>Sensor</b>	<b>Sensor material</b>	<b>Sensor housing material</b>	<b>Thread</b>	<b>Range</b>		<b>Sensor material</b>	<b>Sensor housing material</b>	<b>Thread</b>	<b>Range</b>	
	1.4435	Brass nickel plated	G1/4" female	72	850	1.4435	Brass nickel plated	G1/2" male	76, 77	854
	1.4435	Brass nickel plated	G1/2" male	72	859	1.4435	Brass nickel plated	G1/4" female	78, 79	855
	1.4435	Brass nickel plated	G1/4" female	73, 75	851	1.4435	Brass nickel plated	G1/2" male	78, 79	856
	1.4435	Brass nickel plated	G1/2" male	73, 75	852	1.4435	Brass nickel plated	G1/4" female	80, 81	857
	1.4435	Brass nickel plated	G1/4" female	76, 77	853	1.4435	Brass nickel plated	G1/2" male	80, 81	858
	<b>Fixing</b>				Direct on sensor or housing	00				
					With mounting bracket	31				
	<b>Accessories</b>				Housing stainless steel		06			
					Damping elements and snubber see data sheet H72258					

## Standard products (extra short lead time)

Product No.	Type Code	Pressure range [bar]	Over pressure max. [bar]	Switching differential [bar]	Diameter Y [mm]	Length X [mm]
EXP1.5	900 9172 850 00 0000 0000 02	-0.9 ... 1.5	10	0.2 (fixed)	45	56.5
EXP2.5	900 9175 851 00 0000 0000 02	0.2 ... 2.5	10	0.2 (fixed)	45	56.5
EXP6	900 9177 853 00 0000 0000 02	0 ... 6	12	0.4 (fixed)	33	47
EXP16	900 9179 855 00 0000 0000 02	1 ... 16	24	0.9 (fixed)	27	42.5

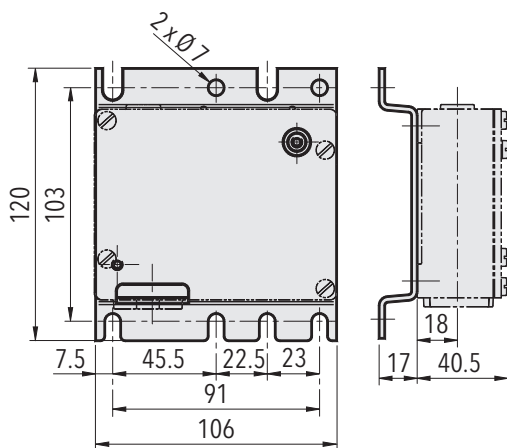
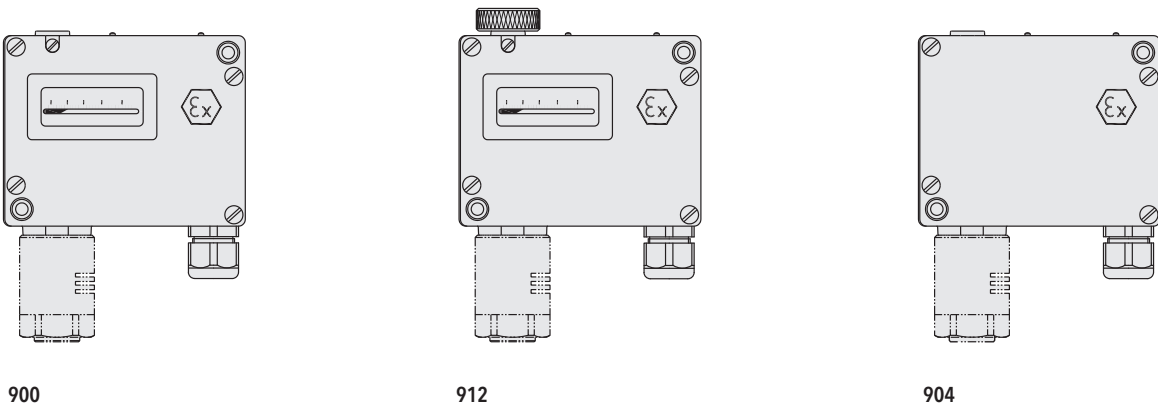
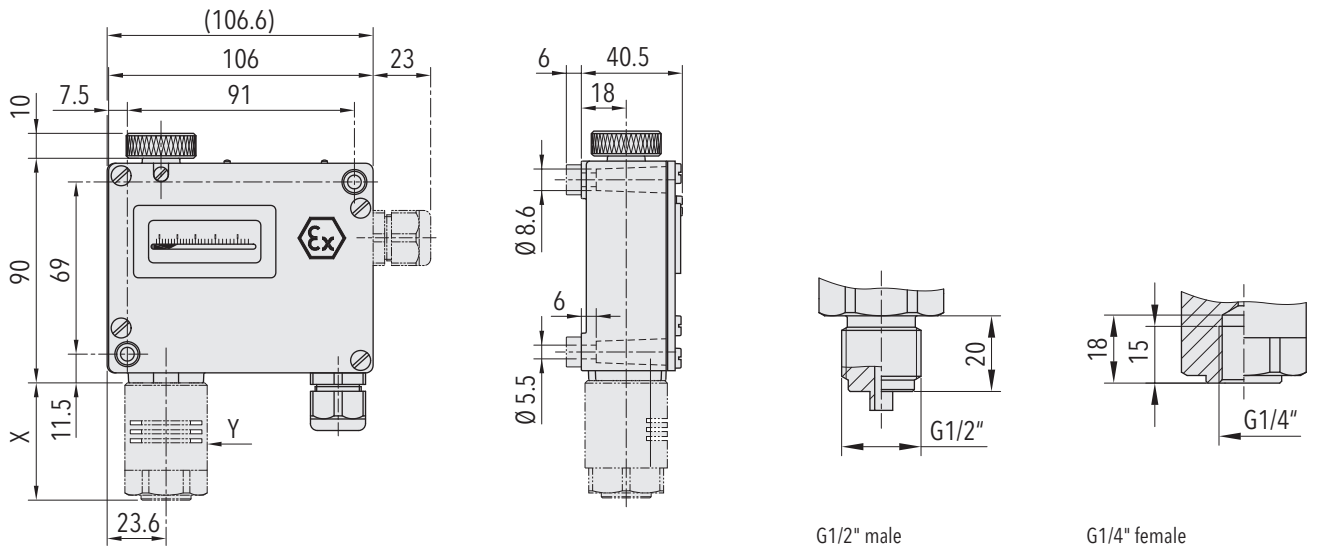


Specifications		
<b>Accuracy</b>	Repeatability	± 1.0 % FS typ.
	Scale accuracy typ.	± 2.0 % FS typ.
	Switching differential	See table
	Adjustment range switch point <sup>1)</sup>	10 % ... 90 % FS
<b>Environmental conditions</b>	Ambient temperature	-50°C ... +65°C
	Media temperature	-40°C ... +150°C
	Storage temperature	-50°C ... +65°C
	Protection	IP66 Accessory 06: IP66
	Humidity	Max.95 % relative
	Vibration	5...25 Hz: ±1.6 mm 25...100 Hz: 4 g Ranges 72, 73, 75: 5...50 Hz: 20 mm/sec.
	Shock	50 g / 11 ms
<b>Mechanical data</b>	Sensor	See ordering information
	Housing	AISI10Mg/ Epoxy coated Accessory 06: 1.4301 (AISI 304)
	Sealing	NBR
	Screwed cable gland	Polyamide (PA)
	Mounting torque	Max. 25 Nm
	Installation	any position
	Weight	~ 710 g
<b>Microswitch</b>	Rating	See table
	Resistance of insulation	> 2 MΩ
	Dielectric strength	1.5 kV
	Life time (mechanical)	1 Mio. cycles
<b>Electrical connection</b>	Electrical connections	Screw terminal
	Cable gland	M20x1.5/SW24 Cable-Ø 5.5-13 mm
	Terminal screw	3 x 0.5...1.5 mm <sup>2</sup>

<sup>1)</sup> Other adjustment ranges upon request

Additional information		
<b>Documents</b>	Data sheet	<a href="http://www.trafag.com/H72263">www.trafag.com/H72263</a>
	Instructions	<a href="http://www.trafag.com/H73171">www.trafag.com/H73171</a>
	Flyer	<a href="http://www.trafag.com/H70916">www.trafag.com/H70916</a>

## Dimensions



9XX.XXXX.XXX.31

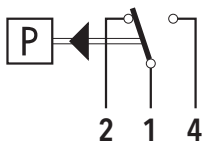
## Switching differential typ. @ 25°C

<b>Measuring range of bellows sensor</b>	<b>[bar]</b>	-0.9 ... 1.5	0 ... 4	1 ... 10	2 ... 25
		0.2 ... 1.6	0 ... 6	1 ... 16	4 ... 40
		0.2 ... 2.5			
<b>Microswitch 91</b>	<b>[bar]</b>	0.2	0.4	0.9	2.0
Switching differential (not adjustable)					

## Electrical data switch

Type	Features	Rating	
		Resistive Load (Inductive Load)	
		AC	DC
<b>91</b>	Standard Ex	250V 5(5) A 125V 5(5) A	250 V 0.25 (0.03) A 125 V 0.5 (0.06) A 75 V 0.75 (0.25) A 50 V 1 (1) A 30 V 5 (3) A 15 V 5 (3) A

## Electrical connection



Switch 91