

Foot mountings



AVENTICS™ Foot mountings



Foot mounting MS1, Series CM1

- to mount on cylinder PRA, TRB, CCL-IS/-IC, CCI, KPZ, 167, CVI, ITS

- Cylinder mounting in accordance with ISO 15552

- Suitable piston Ø 16 20 25 32 40 50 63 80 100 125 160 200 250 320 mm



Standards

See table below

Technical data

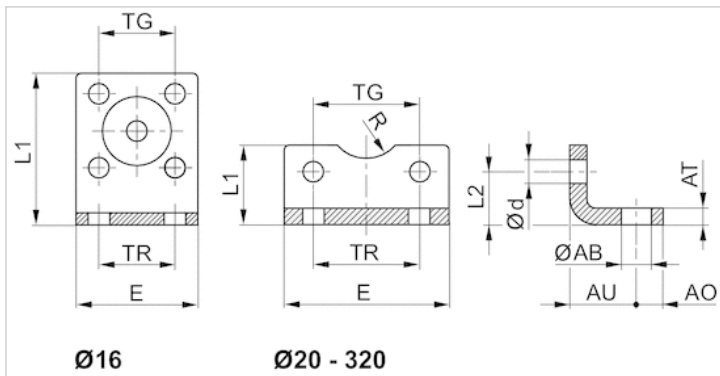
Part No.	Piston Ø	For series	Standardization
1821332053	16 mm	KPZ CCI CCL-IC	-
1827002284	20 mm	KPZ CCI CCL-IC	-
1827002285	25 mm	KPZ CCI CCL-IC	-
3682202000	25 mm	167	-
1827002286	32 mm	KPZ	-
1827001271	32 mm	PRA/TRB CCL-IC/-IS CCI CVI	ISO 15552
3662203000	32 mm	167	-
1827002287	40 mm	KPZ	-
1827001272	40 mm	PRA/TRB CCL-IC/-IS CCI CVI	ISO 15552
3662204000	40 mm	167	-
1827002288	50 mm	KPZ	-
1827001273	50 mm	PRA/TRB CCL-IC/-IS CCI CVI	ISO 15552
3662205000	50 mm	167	-
1827002289	63 mm	KPZ	-
1827001498	63 mm	PRA/TRB CCL-IC/-IS CCI CVI	ISO 15552
3662206000	63 mm	167	-
1827002290	80 mm	KPZ	-
1827001275	80 mm	PRA/TRB CCL-IC/-IS CCI CVI	ISO 15552
3662208000	80 mm	167	-
1827002291	100 mm	KPZ	-
1827001276	100 mm	CCI CCL-IC/-IS PRA/TRB CVI	ISO 15552
3662210000	100 mm	167	-
1827001310	125 mm	PRA/TRB CCL-IS CVI	ISO 15552
1827001457	160 mm	ITS	ISO 15552
1827001458	200 mm	ITS	ISO 15552
1827001459	250 mm	ITS	ISO 15552
5239010502	320 mm	ITS	ISO 15552

Scope of delivery: 2 foot mountings incl. mounting screws

Technical information

Material	
Material	Steel
	galvanized
Screws	Steel
	galvanized

Dimensions



Dimensions

Part No.	Piston Ø	ØAB	AO	AT	AU ±0,2	Ød	E	L1	L2	R	TG	TR
1821332053	16 mm	5.5	5	3	13	4.5	29	35.5	13	8	18 ±0,2	18
1827002284	20 mm	6.6	6	4	16	5.4	36	22	16	10	22 ±0,2	22
1827002285	25 mm	6.6	6	4	16	5.4	40	23	17	11	26 ±0,2	26
3682202000	25 mm	7	8	4	22	5.5	40	21	11.5	13.5	27	26
1827002286	32 mm	6.6	8	5	18	6.6	50	24	16	–	32	32
1827001271	32 mm	7	8	4 ±0,3	24	6.6	48	25	15.5	15	32,5 ±0,2	32
3662203000	32 mm	7	8	5	24	5.5	47	26	16	15	32	32
1827002287	40 mm	9	8	5	20	6.6	60	29.5	21.5	–	42	42
1827001272	40 mm	10	10	4 ±0,3	28	6.6	56	26	17	17.5	38 ±0,2	36
3662204000	40 mm	9	11	5	31	6.6	56	28	16	20	40	36
1827002288	50 mm	9	8	6	24	9	68	30	22	–	50	50
1827001273	50 mm	10	11	5 ±0,3	32	9	68	32	21.5	20	46,5 ±0,2	45
3662205000	50 mm	9	12	6	33	6.6	63	35	22	23	46	45
1827002289	63 mm	11	12	6	27	9	84	39	28.5	–	62	62
1827001498	63 mm	10	13	5 ±0,3	32	9	78	34	21.5	22.5	56,5 ±0,2	50
3662206000	63 mm	9	12	6	36	9	81	40	20.5	23	59	50
1827002290	80 mm	11	12	8	30	11	102	36.5	24.5	–	82	82
1827001275	80 mm	12	16	6 ±0,5	41	11	98	47	27	22.5	72 ±0,2	63
3662208000	80 mm	12	15	8	43	9	95	45	26.5	26	73	63
1827002291	100 mm	13.5	12	8	33	11	123	38.5	26.5	–	103	103

Part No.	Piston Ø	ØAB	AO	AT	AU ±0,2	Ød	E	L1	L2	R	TG	TR
1827001276	100 mm	14.5	19	6 ±0,5	41	11	117	52	26.5	27.5	89 ±0,2	75
3662210000	100 mm	14	17	10	43	11	115	50	26	32	90	75
1827001310	125 mm	16.5	20	8 ±1,0	45	13.5	144	69	35	30	110 ±0,3	90
1827001457	160 mm	18.5	23	10 ±1,0	60	17.5	185	100	45	32.5	140 ±0,3	115
1827001458	200 mm	24	26	12 ±1,0	70	17.5	220	120	47.5	37.5	175 ±0,3	135
1827001459	250 mm	28	33	20 ±1,0	75	22	280	135	55	45	220 ±0,3	165
5239010502	320 mm	35	45	23 ±1,0	85	26	350	200	65	55	270 ±0,3	200

Foot mounting MS3, Series CM1

- Cylinder mounting in accordance with ISO 6432

- Suitable piston Ø 8, 10 12, 16 20, 25 32 mm



Standards

ISO 6432

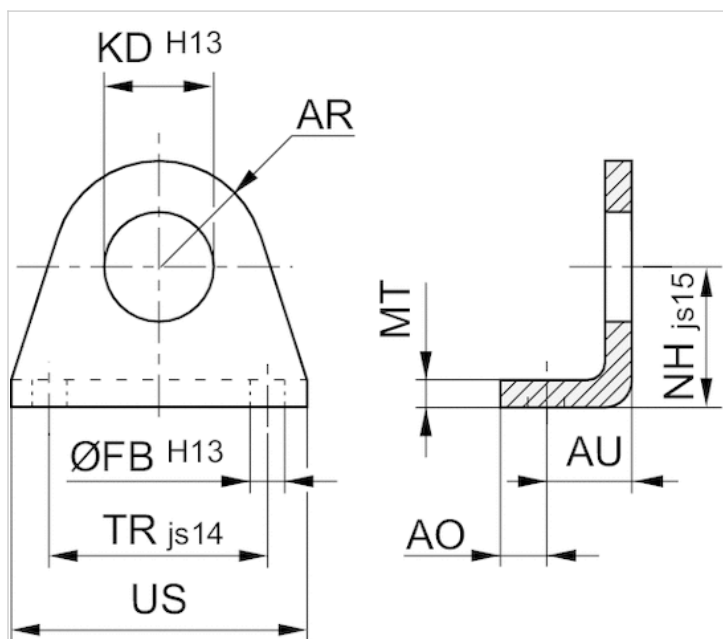
Technical data

Part No.	Piston Ø	Housing material	Surface
3322210000	8, 10 mm	Stainless steel	-
3322216000	12, 16 mm	Stainless steel	-
3322220000	20, 25 mm	Stainless steel	-
3322232000	32 mm	Stainless steel	-
1821332029	8, 10 mm	Steel	galvanized
1821332028	12, 16 mm	Steel	galvanized
1821332027	20, 25 mm	Steel	galvanized

Technical information

Material	
Material	Stainless steel Steel galvanized

Dimensions



Dimensions

Part No.	Piston Ø	AO	AR	AU	Ø FB H13	Ø KD H13	MT	NH ±0,3 js15	TR js14	US
3322210000	8, 10 mm	5	10	11	4.5	12	3	16	25	35
3322216000	12, 16 mm	6	12.5	14	5.5	16.1	4	20	32	42
3322220000	20, 25 mm	8	20	17.5	6.6	22.1	5	25	40	54
3322232000	32 mm	9	24	20	6.6	30.1	5	32	48	65
1821332029	8, 10 mm	5	10	11	4.5	12.1	3	16	25	35
1821332028	12, 16 mm	6	13	14	5.5	16.1	4	20	32	42
1821332027	20, 25 mm	8	20	17	6.6	22.1	5	25	40	54

Foot mounting MS9, Series CM1

- long version

- Suitable piston Ø 32 40 50 63 80 100 mm



Technical data

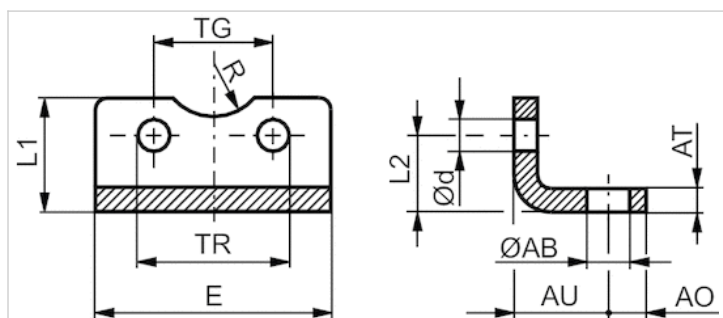
Part No.	Piston Ø
1827001018	32 mm
1827001019	40 mm
1827001020	50 mm
1827020085	63 mm
1827001022	80 mm
1827001023	100 mm

Scope of delivery: 2 foot mountings incl. mounting screws

Technical information

Material	
Material	Steel
	galvanized
Screws	Steel
	galvanized

Dimensions



Dimensions

Part No.	Piston \varnothing	$\varnothing AB$ H13	AO	AT	AU	$\varnothing d$	E	L1	L2	R	TG $\pm 0,1$	TR JS14
1827001018	32 mm	7	12	5	18	6.6	79	30	15.8	15	32.5	65
1827001019	40 mm	10	12	5	18	6.6	90	30	17	17.5	38	75
1827001020	50 mm	10	14	5	21	9	110	35	21.7	20	46.5	90
1827020085	63 mm	10	14	5	21	9	120	35	21.7	25	56.5	100
1827001022	80 mm	12	13	5	27	11	153	50	27	22.5	72	128
1827001023	100 mm	14.5	13	5	27	11	178	50	26.5	27.5	89	148

Foot mounting MS1, Series CM1

- Suitable piston Ø 32 40 50 63 mm

- for series RPC



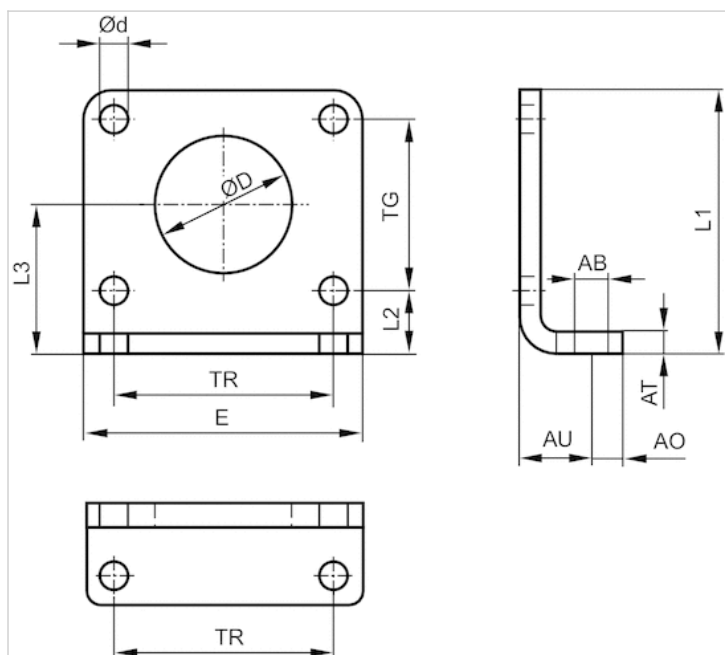
Technical data

Part No.	Piston Ø
5217000504	32 mm
5217010504	40 mm
5217020504	50 mm
5217030504	63 mm

Technical information

Material	
Material	Steel
	galvanized

Dimensions



Dimensions

Part No.	Ø AB	AO	AT	AU ±0,2	Ø d	E	L1	L2	L3	Ø D	TG ±0,2	TR
5217000504	9	10	5	20	7	72	56	18	32	30	28	52
5217010504	9	10	5	20	9	80	58	18	33	38	30	60
5217020504	11	10	6	25	9	90	75	25	45	45	40	70
5217030504	11	10	6	25	9	96	85	25	50	45	50	76

Efficient pneumatic solutions, our program: cylinders and drives, valves and valve systems, air supply management



Visit us: [Emerson.com/Aventics](https://www.emerson.com/aventics)

Your local contact: [Emerson.com/contactus](https://www.emerson.com/contactus)



[Emerson.com](https://www.emerson.com)



[Facebook.com/EmersonAutomationSolutions](https://www.facebook.com/EmersonAutomationSolutions)



[LinkedIn.com/company/Emerson-Automation-Solutions](https://www.linkedin.com/company/Emerson-Automation-Solutions)



[Twitter.com/EMR_Automation](https://twitter.com/EMR_Automation)

An example configuration is depicted on the title page. The delivered product may thus vary from that in the illustration. Subject to change. This Document, as well as the data, specifications and other information set forth in it, are the exclusive property of AVENTICS GmbH. It may not be reproduced or given to third parties without its consent. Only use the AVENTICS products shown in industrial applications. Read the product documentation completely and carefully before using the product. Observe the applicable regulations and laws of the respective country. When integrating the product into applications, note the system manufacturer's specifications for safe use of the product. The data specified only serve to describe the product. No statements concerning a certain condition or suitability for a certain application can be derived from our information. The information given does not release the user from the obligation of own judgment and verification. It must be remembered that the products are subject to a natural process of wear and aging.

The Emerson logo is a trademark and service mark of Emerson Electric Co. Brand logotype are registered trademarks of one of the Emerson family of companies. All other marks are the property of their respective owners. © 2017 Emerson Electric Co. All rights reserved.
2019-03



CONSIDER IT SOLVED™