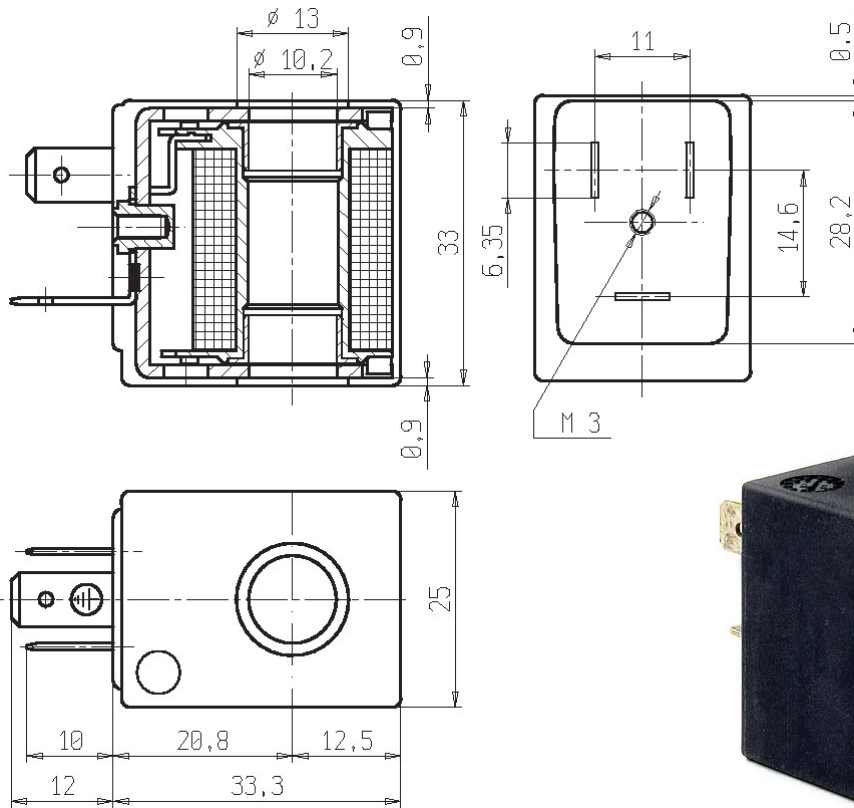


ASCO™ COIL

SPADE TERMINALS (DIN 46340)

SERIES
Z6



General Features

Complying with 2014/35/EU directive.
Product in accordance with the RoHS 2 directive.
100% inspected.

Electric Connections

Spade terminals 6,3 x 0,8 (DIN46340), 2 line + 1 earth terminals.
3 poles plug connector.

Encapsulation Materials

PET (polyethylene terephthalate) fiberglass reinforced (black colour).

Technical Features

Continuous Duty	ED 100%	
Insulation class	Z610A – Z610D : F (155°C) Z614A : H (180°C)	
Ambient temperature	Z610A – Z610D : -10°C +60°C Z614A : -10°C +80°C.	
Protection degree	IP 65 (EN 60529) with plug connector	
Voltages	DC	12-24V (+10% -5%)
	AC	Z610A – Z610D : 24V/50-60Hz – 110V/50-60Hz (120V/60Hz) - 230V/50-60Hz (+10% -15%) Z614A : 24V/50Hz – 110V/50Hz (120V/60Hz) - 230V/50Hz (+10% -15%) (Other voltages and frequencies on request)

Type	Power absorption			Notes	Weight (kg)
	AC (VA)		DC (W)		
	Inrush	Holding			
Z610A	16	10	6	-	0,080
Z610D	14	7,5	4,5		
Z614A	16	10	6		

Notes

The following voltages are UL approved (E153691):

- DC: 12 - 24 - 26V
- AC: 24V/60Hz - 110V/60Hz - 220V/60Hz - 110V/50Hz (120V/60Hz) - 220V/50Hz (240V/60Hz)

THE VALIDITY OF REPORTED DATA IS REFERRED TO THE DATE OF ISSUE. POSSIBLE UPDATES ARE AVAILABLE ON REQUEST

0404/1606