

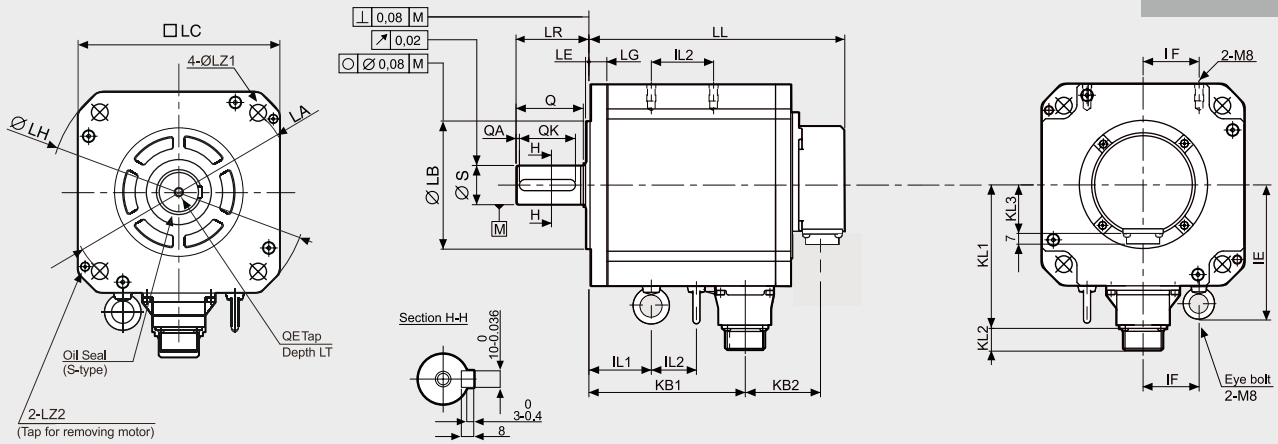
R2CA18350LXH00M

SANYO DENKI
SANMOTION

Dimensions (Unit:mm)

CRUS

400
VAC

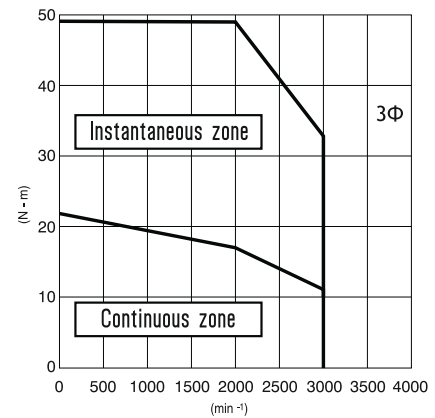


LL	KB2	KL1	KL2	KL3	LG	LA	LB	LE	LH	LC	LZ1	LZ2	LR	S	Q	QA	QK	IL1	IL2	IF	IE	KB1	QE	LT
159	52	123	21	38	16	200	$\begin{matrix} 0 \\ \text{Ø}114.3-0.035 \end{matrix}$	3	Ø230	□180	Ø13.5	M8	65	$\begin{matrix} 0 \\ \text{Ø}35-0.016 \end{matrix}$	60	3	50	47	20	50	123	92	M8	25

FEATURES

MODEL	R2CA18350LXH00M	
NOMINAL POWER	(W)	3500
NOMINAL SPEED	(rpm)	2000
MAXIMUM SPEED	(rpm)	3000
NOMINAL TORQUE	(Nm)	17.0
STALL TORQUE	(Nm)	22.0
MAXIMUM TORQUE	(Nm)	49.0
INERTIA	(Kg*m ²)	40 × 10 ⁻⁴
ENCODER	(imp./rev)	131072 (17BIT)
PROTECTION DEGREE		IP65
WEIGHT	(Kg)	15.5

TORQUE CURVE R2CA18350LXH [3.5kW] + RS3C05



R.T.A. s.r.l. PAVIA (ITALY) SANYO DENKI CO., Ltd (JAPAN)

WITHOUT BRAKE



(Version with brake available on request)

Indicated performances refer to motor controlled by related RS3 standard and EtherCat amplifiers.

3Φ = torque curve with three-phase power supply

Suggested amplifiers: RS3C05A0AA2, RS3C05A2HA4



R.T.A. s.r.l.
Via E. Mattei - Fraz. Divisa
27020 Marcignago (PV) (Italy)
T +39.0382.929.855
F +39.0382.929.150
www.rta.it

R.T.A. Deutschland GmbH
Bublitzter Strasse 34, 40599
Duesseldorf (Germany)
T +49.211.749.668.60
F +49.211.749.668.66
www.rta-deutschland.de

R.T.A. IBERICA
C/Generalitat 22, Local 1
08850 Gava - Barcelona (Spain)
T +34 936.388.805
F +34 936.334.595
www.rta-iberica.es

R.T.A. INDIA Pvt
Teerth Business Center 3rd Floor, Unit No. 7,
Block EL-15, MIDC Bhosari Pimpri-Chinchwad,
Pune 411026 (India)
Tel. +91 9422507445
www.rta-india.in