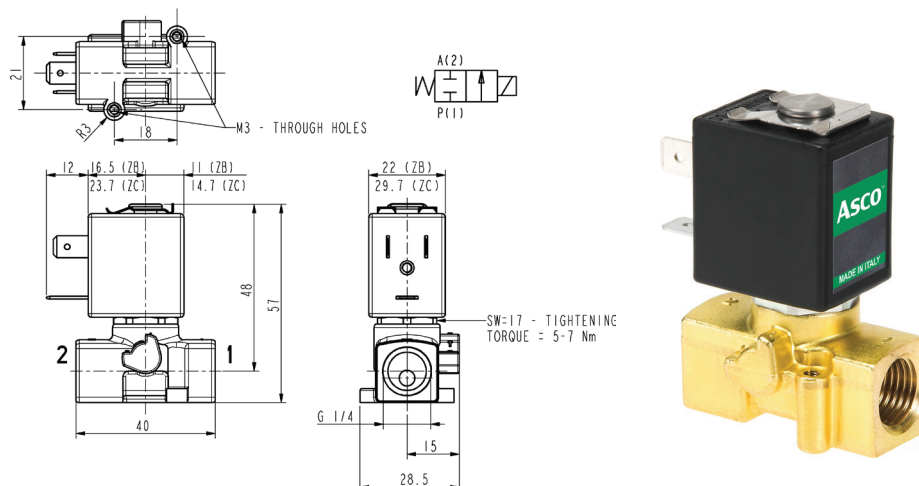


ASCO™ SOLENOID VALVE

2/2 NORMALLY CLOSED – DIRECT ACTING - G 1/4

SERIES
L176



General Features

Direct acting solenoid valve.

Suitable to shut off liquid and gaseous fluids (verify the compatibility of fluid with material in contact).

Technical Features

Maximum allowable pressure (PS)	50bar
Opening time	~10ms
Closing time	~10ms
Fluid temperature	-10°C +130°C
Max viscosity	5°E (~37 cStokes or mm ² /s)

Materials in Contact with Fluid

Body	Brass
Sealing	FPM
Internal components	Stainless steel
Seat	Brass
Core tube	Stainless steel
Shading coil	Copper

Coil	ZB10A ZC10A	ZB12A ZC12A	ZB14A ZC14A
Approval	/	▲UL and CSA	▲UL and CSA
Encapsulation material	PA fiberglass reinforced	PET fiberglass reinforced	PET fiberglass reinforced
Insulation class	F (155°C)	F (155°C)	H (180°C)
Ambient temperature	-10°C +60°C	-10°C +60°C	-10°C +75°C
Continuous duty	ED 100%		
Electric connection	DIN 46340-3 poles plug connector (EN175301-803 for ZC)		
Protection degree	IP 65 (EN 60529) with plug connector	IP 67 (EN 60529) with plug connector	IP 67 (EN 60529) with plug connector
Voltages	DC	12-24V (+10% -5%)	
	AC	24V/50-60Hz - 115V/50Hz - 230V/50-60Hz (+10% -15%) (Other voltages and frequencies on request)	

▲: approval valid for ZB12A – ZB14A only

Port size ISO 228	Orifice size (mm)	Differential pressure (bar)				Kv (m ³ /h)	Series and type		Power absorption				Sealings	Notes	Weight (kg)	
		Δp min	Δp max				Valve	Coil	AC (VA)			DC				
			AC	DC	AC				DC	Inrush VA	Holding VA					W
G1/4	1,6	0	20	12	20	12	L176V03	ZB10A ZB12A	12	6	4	5,5	FPM	1 - 2	0,160	
	2,4		12	4	12	4										ZC10A ZC12A
	1,6		20	15	20	15		0,08								
	2,4		15	8	15	8			0,16							
	4		5	2	5	2		0,33								
	5		3	1	3	1			0,45							
2-3	0,210															
2-4																

Notes

- Sealings: FPM = Fluoro-carbon elastomer
- On request: - body valve in stainless steel AISI 316L: L176V07
- coil in class H (ZB14A – ZC14A see § "COIL")

1 - On request version with manual override: L176V01

2 - ZB12A - ZB14A – ZC12A and ZC14A coils fitted with sealing gaskets underneath and on the upper part (see sectional view on the back)

3 - The Δp max value is valid only for 50Hz; for operation at 60Hz, Δp max is 3,5 bar.

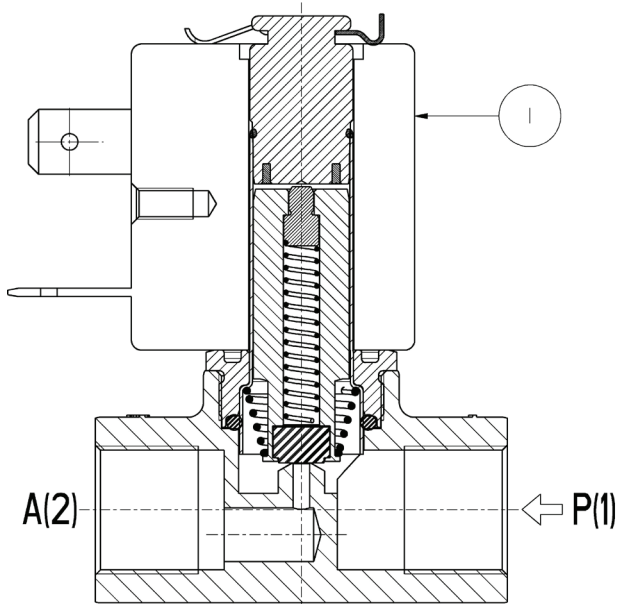
4 - The Δp max value is valid only for 50Hz; for operation at 60Hz, Δp max is 2 bar.

**SERIES
L176**

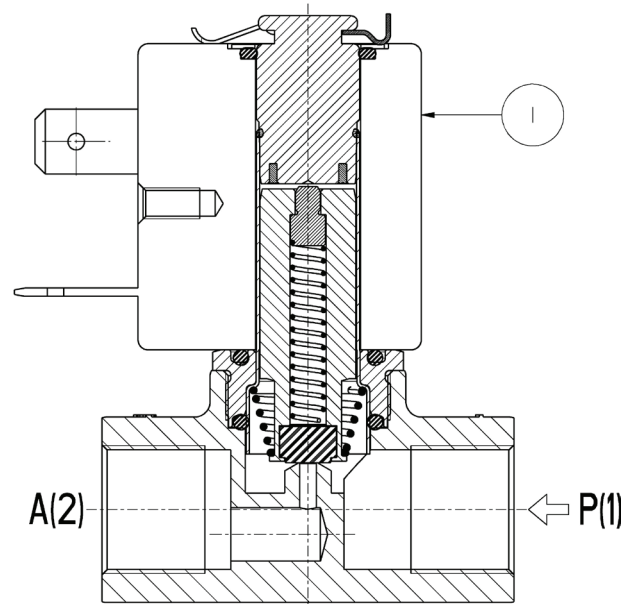
ASCO™ SOLENOID VALVE
2/2 NORMALLY CLOSED – DIRECT ACTING - G 1/4

Spare Parts

WITH ZB10A – ZC10A COIL



WITH ZB12A – ZC12A -ZB14A – ZC14A COIL



Kit description	Kit P.N.	Consisting of:
Coil	ZB10A ZB12A ZB14A ZC10A ZC12A ZC14A	Coil pos. 1

Installation

- Solenoid valve can be mounted in any position; vertical with coil upwards preferred.

THE VALIDITY OF REPORTED DATA IS REFERRED TO THE DATE OF ISSUE. POSSIBLE UPDATES ARE AVAILABLE ON REQUEST