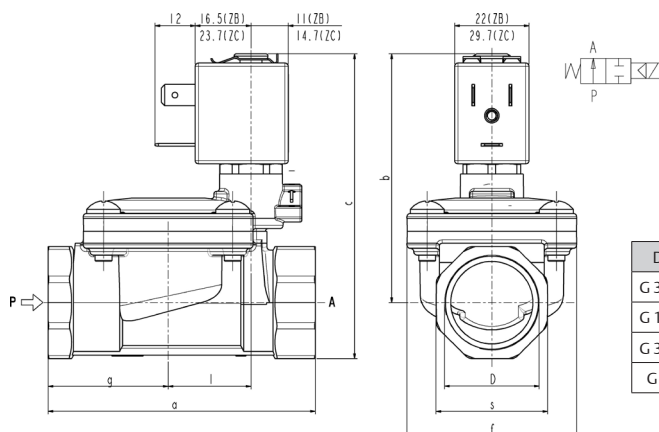


ASCO™ SOLENOID VALVE

2/2 NORMALLY OPEN – PILOT OPERATED - G 3/8 ÷ G 1

SERIES
L282



| D | a | b | c | f | g | l | s |
|-------|-----|------|-----|----|------|------|----|
| G 3/8 | 60 | 67 | 78 | 40 | 25,5 | 20 | 22 |
| G 1/2 | 66 | 69 | 83 | 40 | 29 | 20 | 27 |
| G 3/4 | 79 | 73,5 | 90 | 50 | 35,5 | 24,5 | 33 |
| G 1 | 105 | 86 | 107 | 71 | 46 | 28 | 42 |



General Features

Diaphragm valve, pilot operated, having full orifice.
Suitable to shut off liquid and gaseous fluids (verify the compatibility of fluid with material in contact).

| Technical Features | |
|---------------------------------|---------------------------------------------------------------------|
| Maximum allowable pressure (PS) | 20bar |
| Opening time | from ~300ms to ~1500ms |
| Closing time | from ~1000ms to ~2000ms |
| Fluid temperature | -10°C +90°C (NBR) 0°C +130°C (FPM) -10°C +140°C (EPDM)* WRAS |
| Max viscosity | 5°E (~37 cStokes or mm²/s) |

* Maximum operating temperature 85°C in compliance with WRAS approval

| Materials in Contact with Fluid | |
|---------------------------------|---------------------------|
| Body | Brass |
| Sealing | NBR or FPM |
| Internal components | Brass and stainless steel |
| Seat | Brass |
| Core tube | Stainless steel |
| Shading coil | Copper |

| Coil | ZB10K ZC10A | ZB12K ZC12A | ZB14K ZC14A |
|------------------------|----------------------------------------------------------|--------------------------------------------------------------------------------------------------------------------------------------------------|--------------------------------------|
| Approval | / | ▲UL and CSA | ▲UL and CSA |
| Encapsulation material | PA fiberglass reinforced | PET fiberglass reinforced | PET fiberglass reinforced |
| Insulation class | F (155°C) | F (155°C) | H (180°C) |
| Ambient temperature | -10°C +60°C | -10°C +60°C | -10°C +75°C |
| Continuous duty | ED 100% | | |
| Electric connection | DIN 46340- 3 poles plug connector (EN 175301-803 for ZC) | | |
| Protection degree | IP 65 (EN 60529) with plug connector | IP 67 (EN 60529) with plug connector | IP 67 (EN 60529) with plug connector |
| Voltages | DC | ZC: 12-24V (+10% -5%) | |
| | AC | ZB: 24V/50-60Hz - 120V/60Hz - 230V/50-60Hz - 220-230/50Hz 208-240/60Hz (on request) - (+10% -15%) (Other voltages and frequencies on request) | |

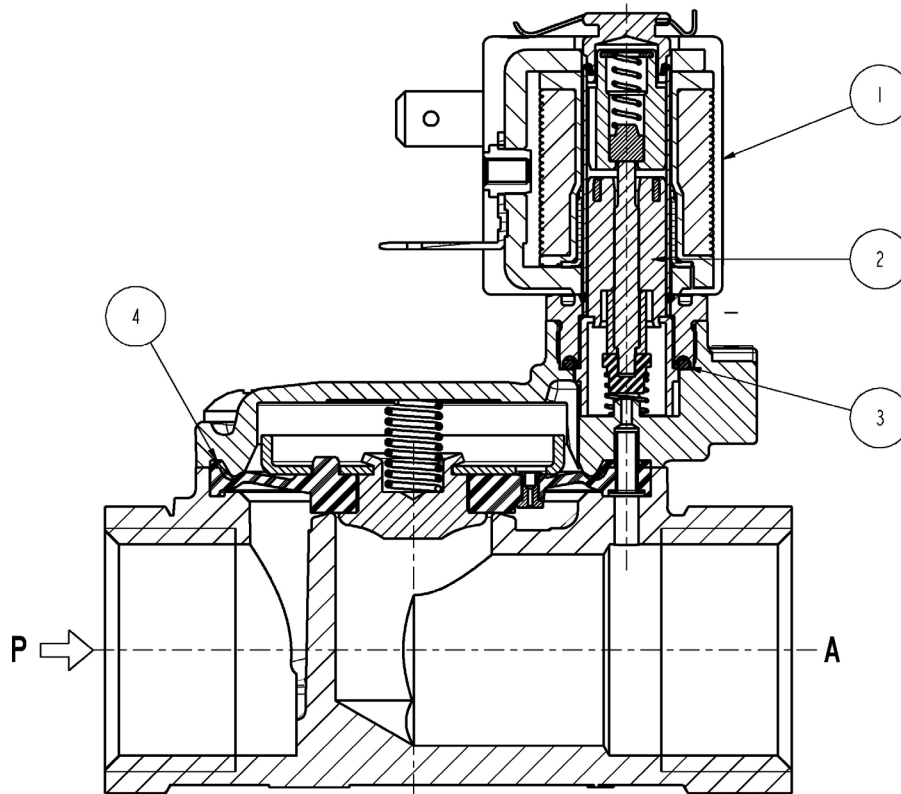
▲: approval valid for ZB12K – ZB14K only

| Port size ISO 228 | Orifice size (mm) | Differential pressure (bar) | | | | Kv (m³/h) | Series and type | | Power absorption | | | | Sealings | Notes | Weight (kg) | | | | | | | |
|----------------------|----------------------|-----------------------------|----|---------|----|--------------|-----------------|------|------------------|---------|----|------------|----------|-------|----------------|---------|-----|-----|---------|---------|-----|-----|
| | | Δp max | | | | | Valve | Coil | AC (VA) | | | DC | | | | | | | | | | |
| | | Gases | | Liquids | | | | | Inrush | Holding | | | | | | W | | | | | | |
| 3/8 | 13,5 | 0,35 | 12 | - | 12 | - | ZB10K ZB12K | 11,7 | 10 | 7,6 | - | NBR FPM | - | 0,32 | | | | | | | | |
| 1/2 | | | | | | | | | | | | | | | 10 | 10 | 12 | 3,8 | L282B01 | L282V01 | NBR | FPM |
| 3/4 | 10 | | 10 | 12 | 5 | L282B01 | | | | | | | | | | | | | | | | |
| 1 | | | | | | | | | | | | | | | 10 | 10 | 12 | 12 | L282B01 | L282V01 | NBR | FPM |
| 3/8 | 13,5 | | - | 12 | 12 | 2,5 | | | | | | | | | | | | | | | | |
| 1/2 | | | | | | | | | | | | | | | 10 | 10 | 12 | 3,8 | L282B01 | L282V01 | NBR | FPM |
| 3/4 | 10 | | 10 | 12 | 5 | L282B01 | L282V01 | NBR | FPM | 0,52 | | | | | | | | | | | | |
| 1 | | | | | | | | | | | 10 | 10 | 12 | 12 | L282B01 | L282V01 | NBR | FPM | 1,08 | | | |

Notes

- Sealings: NBR=Nitrile-butylene elastomer FPM=Fluoro-carbon elastomer
- Operation with gaseous media, at high pressure without any outlet restriction, can reduce the diaphragm life.
- On request coil in class H (ZB14K – ZC14A - see § "COIL")
- WRAS approved solenoid valve (certificate n. 2007001).

Spare Parts



| Kit description | Model | Port Size | Kit P.N. | Consisting of: |
|--------------------|-------|-----------|----------|----------------------------------------------------|
| Actuator kit | | | G3139801 | Actuator kit pos.2 O-Ring guide assembly pos. 3 |
| Diaphragm assembly | L282B | G3/8-1/2 | 2844302R | Diaphragm assembly pos.4 |
| | | G3/4 | 2299701R | |
| | | G1 | 2380101R | |
| | L282V | G3/8-1/2 | 2844303R | |
| | | G3/4 | 2299702R | |
| | | G1 | 2380102R | |
| Coil | | | ZB ZC | Coil pos.1 |

Installation

- Solenoid valve can be mounted in any position; vertical with coil upwards preferred.

THE VALIDITY OF REPORTED DATA IS REFERRED TO THE DATE OF ISSUE. POSSIBLE UPDATES ARE AVAILABLE ON REQUEST