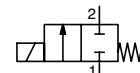




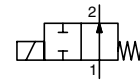
SOLENOID VALVES

direct operated
for high pressure fluids
1/8 - 1/4

NC



NO



2/2
Series
262

FEATURES

- High operating pressure
- RoHS compliance
- AC/DC interchangeability of the coil (10,1 W/11,6 W and 17,1 W/22,6 W)
- Valves do not require a minimum operating pressure
- Large selection of seal materials providing wide chemical compatibility
- The solenoid valves satisfy all relevant EC directives

GENERAL

Differential pressure See «SPECIFICATIONS» [1 bar =100 kPa]
Maximum viscosity 65 cSt (mm²/s)
Response time 5 - 25 ms

| fluids (*) | temperature range (TS) | seal materials (*) |
|----------------------------|--------------------------------|-------------------------------------|
| air, inert gas, water, oil | -25°C to +80°C 0°C to +60°C | NBR (nitrile) UR (cast urethane) |

GENERAL

MATERIALS IN CONTACT WITH FLUID

(*) Ensure that the compatibility of the fluids in contact with the materials is verified

| | | |
|----------------------------------|----------------------------|---------------------------|
| Body | Brass | Stainless steel, AISI 304 |
| Shading coil | Copper | Silver |
| Core tube | Stainless steel, AISI 305 | |
| Core and plugnut | Stainless steel, AISI 430F | |
| Springs | Stainless steel, AISI 302 | |
| Seal | NBR | |
| Disc | NBR or UR | |
| Disc holder (NO function) | PA | |

ELECTRICAL CHARACTERISTICS

| | |
|--|--|
| Coil insulation class | F (AC) or H (DC) |
| Connector | Spade plug (cable Ø 6-10 mm) |
| Connector specification | ISO 4400 / EN 175301-803, form A |
| Electrical safety | IEC 335 |
| Electrical enclosure protection | Moulded IP65 (EN 60529) |
| Standard voltages | DC (-) : 24V - 48V |
| (Other voltages and 60 Hz on request) | AC (~) : 24V - 48V - 115V - 230V/50 Hz |

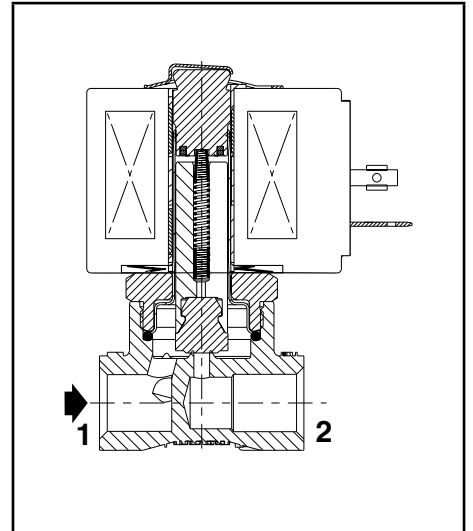
| operator ambient temperature range (TS) (°C) | power ratings | | | | replacement coil | |
|---|---------------------|--------------------------|------|----------------------|------------------|--------------|
| | inrush ~ (VA) | holding ~ (VA) (W) | | hot/cold = (W) | ~ 230 V/50 Hz | = 24 V DC |
| -25 to +55 | 30 | 16 | 8,1 | 7,7/ 10,6 | 238213-059 | 238513-006 |
| | 45 | 20 | 11,1 | 12,5/18,6 | 238213-157 | 238513-106 |
| | 50 | 25 | 10,1 | 8,5/11,6 | 238613-059 | 238913-006 |
| | 70 | 40 | 17,1 | 15,1/22,6 | 238613-159 | 238913-106 |

OPTIONS

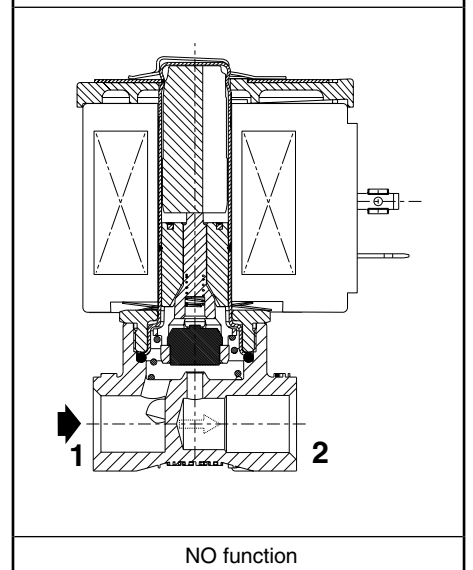
| | |
|--|--|
| Seals and disc (*) ⁽¹⁾ (fluid temperature range) | FPM (fluoroelastomer): -15°C to +100°C (coil class F) -15°C to +120°C (coil class H) EPDM (ethylene-propylene), 0°C to +100°C CR (chloroprene), 0°C to +80°C PTFE: -15°C to +100°C (coil class F) -15°C to +120°C (coil class H) |
| Plug with visual indication and peak voltage suppression or with cable length of 2 m (see Solenoids, Coils & Accessories section) | |

(*) Ensure that the compatibility of the fluids in contact with the materials is verified.

⁽¹⁾ The minimum ambient temperature of the solenoid valve is determined by the limitations of minimum temperature indicated.



NC function



NO function

SPECIFICATIONS

| pipe size | orifice size (mm) | flow coefficient Kv (m³/h)/(l/min) | operating pressure differential (bar) max. (PS) | | | | | | | | | | | | power coil (W) | | thread type / dimensions (1) | | 15-DIGIT PRODUCT CODE | | | | | |
|--|----------------------|---------------------------------------|--|-----|-----|---------|-----|-----|-----------|------|------|---------|------|---------------|-------------------|-------------------|------------------------------|---------------|-----------------------|------------|-------------|-------------|---------|---------|
| | | | min. | | | air (*) | | | water (*) | | | oil (*) | | | brass | stainless steel | voltage code | | | | | | | |
| | | | ~ | = | ~ | = | ~ | = | ~ | = | ~ | = | ~ | = | | | G | 01 | 24 V/50 Hz | 48 V/50 Hz | 115 V/50 Hz | 230 V/50 Hz | 24 V/DC | 48 V/DC |
| | | | | | | | | | | | | | | | | | | | | | | | | |
| WITHOUT MANUAL OPERATOR | | | | | | | | | | | | | | | | | | | | | | | | |
| NC - Normally closed, NBR seal and disc | | | | | | | | | | | | | | | | | | | | | | | | |
| 1/8 | 1,2 | 0,05 | 0,8 | 0 | 51 | 51 | 51 | 41 | 50 | 34 | 8,1 | 10,6 | G | 01 | G262K001S1N00 | - | - | - | - | - | - | - | - | |
| | | | | | 103 | 68 | 103 | 66 | 103 | 58 | 10,1 | 11,6 | G* | 02 | E262K200S1W00 (2) | - | - | - | - | - | - | - | - | |
| | | | | | 18 | 10 | 17 | 8 | 13 | 8 | 11,1 | 18,6 | G | 01 | G262K016S1N00 | - | - | - | - | - | - | - | - | |
| 1/4 | 1,2 | 0,05 | 0,8 | 0 | 151 | 68 | 151 | 66 | 117 | 58 | 10,1 | 11,6 | G* | 02 | E262K214S1W00 (2) | - | - | - | - | - | - | - | - | |
| | | | | | 51 | 51 | 51 | 41 | 50 | 34 | 8,1 | 10,6 | NPT | 02 | - | E262K214S1W00 (2) | - | - | - | - | - | - | - | |
| | | | | | 25 | 14 | 22 | 10 | 11 | 10 | 8,1 | 10,6 | G* | 01 | E262K020S1N00 | - | - | - | - | - | - | - | - | - |
| | 2,4 | 0,18 | 3 | 0 | 34 | 19 | 24 | 13 | 18 | 13 | 11,1 | 18,6 | NPT | 01 | - | E262K086S1N00 | - | - | - | - | - | - | - | - |
| | | | | | 40 | 16 | 28 | 16 | 28 | 15 | 10,1 | 11,6 | G* | 01 | E262K021S1N00 | - | - | - | - | - | - | - | - | |
| | | | | | 49 | 41 | 28 | 28 | 28 | 27 | 17,1 | 22,6 | G* | 02 | E262K108S1N00 | E262K182S1N00 | - | - | - | - | - | - | - | - |
| | | | | | 12 | 8 | 12 | 6,5 | 6 | 5,5 | 8,1 | 10,6 | NPT | 02 | - | E262K182S1N00 | E262K182S1N00 | - | - | - | - | - | - | - |
| | 1/4 | 3,2 | 0,3 | 5 | 0 | 23 | 7,5 | 20 | 7 | 14 | 6,5 | 10,1 | 11,6 | G* | 02 | E262K109S1N00 | E262K183S1N00 | - | - | - | - | - | - | - |
| | | | | | | 34 | 17 | 26 | 17 | 24 | 15 | 17,1 | 22,6 | NPT | 02 | - | E262K183S1N00 | E262K183S1N00 | - | - | - | - | - | - |
| 5,6 | | 0,63 | 10,5 | 0 | 6,5 | 2 | 6,5 | 2 | 6,5 | 2 | 10,1 | 11,6 | G* | 01 | E262K022S1N00 | - | - | - | - | - | - | - | - | |
| | | | | | 18 | 10 | 17 | 8 | 10 | 7,5 | 11,1 | 18,6 | NPT | 01 | - | E262K007S1N00 | - | - | - | - | - | - | - | |
| | | | | | 23 | 7,5 | 20 | 7 | 14 | 6,5 | 10,1 | 11,6 | G* | 01 | E262K023S1N00 | - | - | - | - | - | - | - | - | |
| | | | | | 23 | 7,5 | 20 | 7 | 14 | 6,5 | 10,1 | 11,6 | NPT | 02 | - | E262K232S1N00 | E262K184S1N00 | - | - | - | - | - | - | |
| | | | | | 34 | 17 | 26 | 17 | 24 | 15 | 17,1 | 22,6 | G* | 02 | E262K110S1N00 | E262K185S1N00 | - | - | - | - | - | - | | |
| | | | | | 34 | 17 | 26 | 17 | 24 | 15 | 17,1 | 22,6 | NPT | 02 | - | E262K185S1N00 | E262K185S1N00 | - | - | - | - | - | - | |
| 7,1 | | 0,76 | 12,7 | 0 | 14 | 3,5 | 13 | 3,5 | 10 | 3,5 | 10,1 | 11,6 | G* | 02 | E262K202S1N00 | E262K220S1N00 | - | - | - | - | - | - | - | |
| | | | | | 20 | 7,5 | 14 | 7,5 | 14 | 7,5 | 17,1 | 22,6 | NPT | 02 | - | E262K220S1N00 | E262K220S1N00 | - | - | - | - | - | | |
| | 6,5 | | | | 2 | 6,5 | 2 | 6,5 | 2 | 10,1 | 11,6 | G* | 02 | E262K112S1N00 | E262K187S1N00 | - | - | - | - | - | - | | | |
| | 6,5 | | | | 2 | 6,5 | 2 | 6,5 | 2 | 10,1 | 11,6 | NPT | 02 | - | E262K187S1N00 | E262K187S1N00 | - | - | - | - | - | | | |
| 7,1 | 0,76 | 12,7 | 0 | 8,5 | 4 | 8,5 | 4 | 8,5 | 4 | 17,1 | 22,6 | G* | 02 | E262K208S1N00 | E262K226S1N00 | - | - | - | - | - | - | | | |
| | | | | 8,5 | 4 | 8,5 | 4 | 8,5 | 4 | 17,1 | 22,6 | NPT | 02 | - | E262K226S1N00 | E262K226S1N00 | - | - | - | - | | | | |
| | | | | 3,5 | 2 | 3,5 | 2 | 2,5 | 1,9 | 8,1 | 10,6 | G* | 02 | E262K114S1N00 | E262K188S1N00 | - | - | - | - | - | | | | |
| | | | | 3,5 | 2 | 3,5 | 2 | 2,5 | 1,9 | 8,1 | 10,6 | NPT | 02 | - | E262K188S1N00 | E262K188S1N00 | - | - | - | - | | | | |
| | | | | 2 | 1,6 | 2 | 1,5 | 2 | 1,3 | 8,1 | 10,6 | G* | 01 | E262K013S1N00 | - | - | - | - | - | - | | | | |
| | | | | 2 | 1,6 | 2 | 1,5 | 2 | 1,3 | 8,1 | 10,6 | NPT | 01 | - | E262K090S1N00 | - | - | - | - | - | | | | |
| 1/8 | 1,2 | 0,05 | 0,8 | 0 | 79 | 44 | 62 | 33 | 55 | 22 | 10,1 | 11,6 | G | 02 | G262K155S1W00 (2) | G262K168S1W00 (2) | - | - | - | - | - | - | - | |
| | | | | | 51 | 44 | 51 | 38 | 51 | 27 | 10,1 | 11,6 | NPT | 02 | - | 8262K168S1W00 (2) | - | - | - | - | - | | | |
| | 2,4 | 0,18 | 3 | 0 | 18 | 11 | 15 | 9 | 12 | 6,5 | 10,1 | 11,6 | G | 02 | G262K156S1N00 | G262K169S1N00 | - | - | - | - | - | - | | |
| | | | | | 18 | 11 | 15 | 9 | 12 | 6,5 | 10,1 | 11,6 | NPT | 02 | - | 8262K169S1N00 | - | - | - | - | - | | | |
| | 3,2 | 0,3 | 5 | 0 | 11 | 6,5 | 10 | 6,5 | 8,5 | 4,5 | 10,1 | 11,6 | G | 02 | G262K128S1N00 | G262K236S1N00 | - | - | - | - | - | - | | |
| | | | | | 11 | 6,5 | 10 | 6,5 | 8,5 | 4,5 | 10,1 | 11,6 | NPT | 02 | - | 8262K236S1N00 | - | - | - | - | - | | | |
| | 1/4 | 1,2 | 0,05 | 0,8 | 0 | 79 | 44 | 62 | 33 | 55 | 22 | 10,1 | 11,6 | G* | 02 | E262K129S1N00 | G262K237S1N00 | - | - | - | - | - | - | |
| | | | | | | 11 | 6,5 | 10 | 6,5 | 8,5 | 4,5 | 10,1 | 11,6 | NPT | 02 | - | 8262K237S1N00 | - | - | - | - | - | | |
| | | 2,4 | 0,18 | 3 | 0 | 79 | 44 | 62 | 33 | 55 | 22 | 10,1 | 11,6 | G* | 02 | E262K161S1W00 (2) | E262K199S1W00 (2) | - | - | - | - | - | - | |
| | | | | | | 51 | 44 | 51 | 38 | 51 | 27 | 10,1 | 11,6 | NPT | 02 | - | 8262K199S1W00 (2) | - | - | - | - | - | | |
| | | 3,2 | 0,3 | 5 | 0 | 18 | 11 | 15 | 9 | 12 | 6,5 | 10,1 | 11,6 | G* | 02 | E262K260S1N00 | E262K130S1N00 | - | - | - | - | - | | |
| | | | | | | 18 | 11 | 15 | 9 | 12 | 6,5 | 10,1 | 11,6 | NPT | 02 | - | 8262K130S1N00 | - | - | - | - | | | |
| 4 | | 0,47 | 7,8 | 0 | 11 | 6,5 | 10 | 6,5 | 8,5 | 4,5 | 10,1 | 11,6 | G* | 02 | E262K261S1N00 | E262K134S1N00 | - | - | - | - | - | | | |
| | | | | | 11 | 6,5 | 10 | 6,5 | 8,5 | 4,5 | 10,1 | 11,6 | NPT | 02 | - | 8262K134S1N00 | - | - | - | - | | | | |
| 5,6 | | 0,72 | 12 | 0 | 11 | 6,5 | 10 | 6,5 | 8,5 | 4,5 | 10,1 | 11,6 | G* | 02 | E262K262S1N00 | E262K138S1N00 | - | - | - | - | - | | | |
| | | | | | 11 | 6,5 | 10 | 6,5 | 8,5 | 4,5 | 10,1 | 11,6 | NPT | 02 | - | 8262K138S1N00 | - | - | - | - | | | | |
| 7,1 | | 0,83 | 13,8 | 0 | 6 | 4 | 6 | 3,5 | 4,5 | 3 | 10,1 | 11,6 | G* | 02 | E262K263S1N00 | E262K142S1N00 | - | - | - | - | - | | | |
| | | | | | 6 | 4 | 6 | 3,5 | 4,5 | 3 | 10,1 | 11,6 | NPT | 02 | - | 8262K142S1N00 | - | - | - | - | | | | |
| 7,1 | 0,83 | 13,8 | 0 | 3 | 2 | 3 | 1,7 | 2,5 | 1,7 | 10,1 | 11,6 | G* | 02 | E262K264S1N00 | E262K148S1N00 | - | - | - | - | - | | | | |
| | | | | 3 | 2 | 3 | 1,7 | 2,5 | 1,7 | 10,1 | 11,6 | NPT | 02 | - | 8262K148S1N00 | - | - | - | - | | | | | |
| 7,1 | 0,83 | 13,8 | 0 | 2 | 1,3 | 2 | 1,1 | 2 | 1,1 | 10,1 | 11,6 | G* | 02 | E262K265S1N00 | E262K152S1N00 | - | - | - | - | - | | | | |
| | | | | 2 | 1,3 | 2 | 1,1 | 2 | 1,1 | 10,1 | 11,6 | NPT | 02 | - | 8262K152S1N00 | - | - | - | - | | | | | |

(1) For dimensions, see drawing(s) for each construction type on the following page(s).
 (*) Ensure that the compatibility of the fluids in contact with the materials is verified.

(2) UR disc only, fluid temperature 0°C to +60°C, no other elastomer can be used.

SPECIFICATIONS

| pipe size | orifice size (mm) | flow coefficient Kv (m ³ /h) (l/min) | | operating pressure differential (bar) max. (PS) | | | | | | | | power coil (W) | | thread type | dimensions / type (1) | 15-DIGIT PRODUCT CODE | | voltage code | | | | | | | | | |
|--|----------------------|--|------|--|-----|-----|---------|-----|-----|-----------|------|----------------|-----|---------------|-----------------------|-----------------------|----|--------------|-------|-----------------|------------|------------|-------------|-------------|---------|---------|--|
| | | | | min. | | | air (*) | | | water (*) | | | | | | oil (*) | | | brass | stainless steel | 24 V/50 Hz | 48 V/50 Hz | 115 V/50 Hz | 230 V/50 Hz | 24 V/DC | 48 V/DC | |
| | | | | ~ | = | ~ | = | ~ | = | ~ | = | | | | | ~ | = | ~ | = | | | | | | | | |
| | | | | | | | | | | | | | | | | | | | | | | | | | | | |
| WITH MAINTAINED MANUAL OPERATOR | | | | | | | | | | | | | | | | | | | | | | | | | | | |
| NC - Normally closed, NBR seal and disc | | | | | | | | | | | | | | | | | | | | | | | | | | | |
| 1/4 | 2,4 | 0,18 | 3 | 0 | 40 | 16 | 28 | 16 | 28 | 15 | 10,1 | 11,6 | G* | 02 | E262K108S1N01 | E262K182S1N01 | FL | FR | FT | F8 | H1 | H9 | | | | | |
| | | | | | 49 | 41 | 28 | 28 | 28 | 27 | 17,1 | 22,6 | NPT | 02 | - | 8262K182S1N01 | | | | | | | | | | | |
| | | | | | 23 | 7,5 | 20 | 7 | 14 | 6,5 | 10,1 | 11,6 | G* | 02 | E262K109S1N01 | E262K183S1N01 | | | | | | | | | | | |
| | | | | | 34 | 17 | 26 | 17 | 24 | 15 | 17,1 | 22,6 | NPT | 02 | - | 8262K183S1N01 | | | | | | | | | | | |
| | | | | | 14 | 3,5 | 13 | 3,5 | 10 | 3,5 | 10,1 | 11,6 | G* | 02 | E262K232S1N01 | E262K184S1N01 | | | | | | | | | | | |
| | | | | | 20 | 7,5 | 14 | 7,5 | 14 | 7,5 | 17,1 | 22,6 | NPT | 02 | - | 8262K184S1N01 | | | | | | | | | | | |
| | 3,2 | 0,3 | 5 | 0 | 23 | 7,5 | 20 | 7 | 14 | 6,5 | 10,1 | 11,6 | G* | 02 | E262K110S1N01 | E262K185S1N01 | | | | | | | | | | | |
| | | | | | 34 | 17 | 26 | 17 | 24 | 15 | 17,1 | 22,6 | NPT | 02 | - | 8262K185S1N01 | | | | | | | | | | | |
| | | | | | 14 | 3,5 | 13 | 3,5 | 10 | 3,5 | 10,1 | 11,6 | G* | 02 | E262K202S1N01 | E262K220S1N01 | | | | | | | | | | | |
| | | | | | 20 | 7,5 | 14 | 7,5 | 14 | 7,5 | 17,1 | 22,6 | NPT | 02 | - | 8262K220S1N01 | | | | | | | | | | | |
| | | | | | 6,5 | 2 | 6,5 | 2 | 6,5 | 2 | 10,1 | 11,6 | G* | 02 | E262K112S1N01 | E262K187S1N01 | | | | | | | | | | | |
| | | | | | 8,5 | 4 | 8,5 | 4 | 8,5 | 4 | 17,1 | 22,6 | NPT | 02 | - | 8262K187S1N01 | | | | | | | | | | | |
| | 4 | 0,45 | 7,5 | 0 | 6,5 | 2 | 6,5 | 2 | 6,5 | 2 | 10,1 | 11,6 | G* | 02 | E262K208S1N01 | E262K226S1N01 | | | | | | | | | | | |
| | | | | | 8,5 | 4 | 8,5 | 4 | 8,5 | 4 | 17,1 | 22,6 | NPT | 02 | - | 8262K226S1N01 | | | | | | | | | | | |
| | | | | | 4 | 1,5 | 5 | 1,5 | 4 | 1,3 | 10,1 | 11,6 | G* | 02 | E262K114S1N01 | E262K188S1N01 | | | | | | | | | | | |
| | | | | | 6 | 3 | 6 | 3 | 6 | 3 | 17,1 | 22,6 | NPT | 02 | - | 8262K188S1N01 | | | | | | | | | | | |
| | | | | | 4 | 1,5 | 5 | 1,5 | 4 | 1,3 | 10,1 | 11,6 | G* | 02 | E262K210S1N01 | E262K189S1N01 | | | | | | | | | | | |
| | | | | | 6 | 3 | 6 | 3 | 6 | 3 | 17,1 | 22,6 | NPT | 02 | - | 8262K189S1N01 | | | | | | | | | | | |
| | 5,6 | 0,63 | 10,5 | 0 | 4 | 1,5 | 5 | 1,5 | 4 | 1,3 | 10,1 | 11,6 | G* | 02 | E262K210S1N01 | E262K189S1N01 | | | | | | | | | | | |
| | | | | | 6 | 3 | 6 | 3 | 6 | 3 | 17,1 | 22,6 | NPT | 02 | - | 8262K189S1N01 | | | | | | | | | | | |
| | | | | | 4 | 1,5 | 5 | 1,5 | 4 | 1,3 | 10,1 | 11,6 | G* | 02 | E262K210S1N01 | E262K189S1N01 | | | | | | | | | | | |
| | | | | | 6 | 3 | 6 | 3 | 6 | 3 | 17,1 | 22,6 | NPT | 02 | - | 8262K189S1N01 | | | | | | | | | | | |
| | | | | | 4 | 1,5 | 5 | 1,5 | 4 | 1,3 | 10,1 | 11,6 | G* | 02 | E262K210S1N01 | E262K189S1N01 | | | | | | | | | | | |
| | | | | | 6 | 3 | 6 | 3 | 6 | 3 | 17,1 | 22,6 | NPT | 02 | - | 8262K189S1N01 | | | | | | | | | | | |
| 7,1 | 0,76 | 12,7 | 0 | 4 | 1,5 | 5 | 1,5 | 4 | 1,3 | 10,1 | 11,6 | G* | 02 | E262K210S1N01 | E262K189S1N01 | | | | | | | | | | | | |
| | | | | 6 | 3 | 6 | 3 | 6 | 3 | 17,1 | 22,6 | NPT | 02 | - | 8262K189S1N01 | | | | | | | | | | | | |
| | | | | 4 | 1,5 | 5 | 1,5 | 4 | 1,3 | 10,1 | 11,6 | G* | 02 | E262K210S1N01 | E262K189S1N01 | | | | | | | | | | | | |
| | | | | 6 | 3 | 6 | 3 | 6 | 3 | 17,1 | 22,6 | NPT | 02 | - | 8262K189S1N01 | | | | | | | | | | | | |
| | | | | 4 | 1,5 | 5 | 1,5 | 4 | 1,3 | 10,1 | 11,6 | G* | 02 | E262K210S1N01 | E262K189S1N01 | | | | | | | | | | | | |
| | | | | 6 | 3 | 6 | 3 | 6 | 3 | 17,1 | 22,6 | NPT | 02 | - | 8262K189S1N01 | | | | | | | | | | | | |

(1) For dimensions, see drawing(s) for each construction type on the following page(s).

(*) Ensure that the compatibility of the fluids in contact with the materials is verified.

(2) UR disc only, fluid temperature 0°C to +60°C, no other elastomer can be used.



15-DIGIT PRODUCT CODE

G 262 K 001 S1 N00 H1

Thread connection

- G** = ISO 228/1
- E** = ISO 228/1 & ISO 7/1 (combination thread)
- 8** = NPT (SAE 71051)

Product series

262

Revision letter

K = Initial release

Valves version

Voltage - class

- FL** = 24 V / 50 Hz - class F
- FR** = 48 V / 50 Hz - class F
- FT** = 115 V / 50 Hz - class F
- F8** = 230 V / 50 Hz - class F
- H1** = 24 V DC - class H
- H9** = 48 V DC - class H

Options

Without manual operator

- N00** = NBR disc and seals
- V00** = FPM disc and seals
- E00** = EPDM disc and seals
- J00** = CR disc and seals
- T00** = PTFE disc and seals ⁽¹⁾

⁽¹⁾ (Max. operating pressure limited to 75% of standard value)

With maintained manual operator

- N01** = NBR disc and seals
- V01** = FPM disc and seals
- E01** = EPDM disc and seals
- J01** = CR disc and seals

Electrical interface

S1 = With spade plug connector

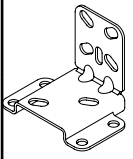
SPARE PARTS KITS CODE (*)



| | | AC (-) | | | | | | | DC (=) | | | | | | |
|----------------------------------|---------|--------|-----|------|-----|------|----------|---------|--------|------|-----|------|----------|-----|--|
| | | NBR | FPM | EPDM | CR | PTFE | NBR + UR | NBR | FPM | EPDM | CR | PTFE | NBR + UR | | |
| E262K013/019/020/021/022/023/090 | M200001 | N00 | V00 | E00 | J00 | T00 | - | M200005 | N00 | V00 | E00 | J00 | T00 | - | |
| E262K108/109/110/112/114 | M200007 | N00 | V00 | E00 | J00 | T00 | - | M200007 | N00 | V00 | E00 | J00 | T00 | - | |
| E262K130 | M200017 | N00 | V00 | E00 | J00 | T00 | - | M200033 | N00 | V00 | E00 | J00 | T00 | - | |
| E262K134 | M200018 | N00 | V00 | E00 | J00 | T00 | - | M200033 | N00 | V00 | E00 | J00 | T00 | - | |
| E262K138/142/148/152 | M200018 | N00 | V00 | E00 | J00 | T00 | - | M200034 | N00 | V00 | E00 | J00 | T00 | - | |
| E262K161 | M200021 | - | - | - | - | - | W00 | - | - | - | - | - | - | - | |
| E262K182/183/184/185/187/188/189 | M200008 | N00 | V00 | E00 | J00 | - | - | M200008 | N00 | V00 | E00 | J00 | - | - | |
| E262K200 | M200007 | - | - | - | - | - | W00 | M200007 | - | - | - | - | - | W00 | |
| E262K202/208/210/212 | M200007 | N00 | V00 | E00 | J00 | T00 | - | M200007 | N00 | V00 | E00 | J00 | T00 | - | |
| E262K214 | M200008 | - | - | - | - | - | W00 | M200008 | - | - | - | - | - | W00 | |
| E262K220/226/230 | M200008 | N00 | V00 | E00 | J00 | - | - | M200008 | N00 | V00 | E00 | J00 | - | - | |
| E262K232 | M200007 | N00 | V00 | E00 | J00 | T00 | - | M200007 | N00 | V00 | E00 | J00 | T00 | - | |
| E262K260 | M200015 | N00 | V00 | E00 | J00 | T00 | - | M200031 | N00 | V00 | E00 | J00 | T00 | - | |
| E262K261 | M200016 | N00 | V00 | E00 | J00 | T00 | - | M200031 | - | - | - | - | - | W00 | |
| E262K262/263/264/265 | M200016 | N00 | V00 | E00 | J00 | T00 | - | M200032 | N00 | V00 | E00 | J00 | T00 | - | |
| G262K001/002/014/016 | M200001 | N00 | V00 | E00 | J00 | T00 | - | M200005 | N00 | V00 | E00 | J00 | T00 | - | |
| G262K128 | M200016 | N00 | V00 | E00 | J00 | T00 | - | M200031 | N00 | V00 | E00 | J00 | T00 | - | |
| G262K129 | M200016 | N00 | V00 | E00 | J00 | T00 | - | M200032 | N00 | V00 | E00 | J00 | T00 | - | |
| G262K155 | M200021 | - | - | - | - | - | W00 | - | - | - | - | - | - | - | |
| G262K156 | M200015 | N00 | V00 | E00 | J00 | T00 | - | M200031 | N00 | V00 | E00 | J00 | T00 | - | |
| G262K168 | M200021 | - | - | - | - | - | W00 | - | - | - | - | - | - | - | |
| G262K169 | M200017 | N00 | V00 | E00 | J00 | T00 | - | M200033 | N00 | V00 | E00 | J00 | T00 | - | |
| G262K199 | M200021 | - | - | - | - | - | W00 | - | - | - | - | - | - | - | |
| G262K236 | M200018 | N00 | V00 | E00 | J00 | T00 | - | M200033 | N00 | V00 | E00 | J00 | T00 | - | |
| G262K237 | M200018 | N00 | V00 | E00 | J00 | T00 | - | M200034 | N00 | V00 | E00 | J00 | T00 | - | |
| 8262K006/007/012/015/036/038 | M200003 | N00 | V00 | E00 | J00 | T00 | - | M200005 | N00 | V00 | E00 | J00 | T00 | - | |
| 8262K080/086 | M200003 | N00 | V00 | E00 | J00 | T00 | - | M200005 | N00 | V00 | E00 | J00 | T00 | - | |
| 8262K130 | M200017 | N00 | V00 | E00 | J00 | T00 | - | M200033 | N00 | V00 | E00 | J00 | T00 | - | |
| 8262K134 | M200018 | N00 | V00 | E00 | J00 | T00 | - | M200033 | N00 | V00 | E00 | J00 | T00 | - | |
| 8262K138/142/148/152 | M200018 | N00 | V00 | E00 | J00 | T00 | - | M200034 | N00 | V00 | E00 | J00 | T00 | - | |
| 8262K168 | M200021 | - | - | - | - | - | W00 | - | - | - | - | - | - | - | |
| 8262K169 | M200017 | N00 | V00 | E00 | J00 | T00 | - | M200033 | N00 | V00 | E00 | J00 | T00 | - | |
| 8262K182/183/184/185/187/188/189 | M200008 | N00 | V00 | E00 | J00 | - | - | M200008 | N00 | V00 | E00 | J00 | - | - | |
| 8262K199 | M200021 | - | - | - | - | - | W00 | - | - | - | - | - | - | - | |
| 8262K220/226/230 | M200008 | N00 | V00 | E00 | J00 | - | - | M200008 | N00 | V00 | E00 | J00 | - | - | |
| 8262K236 | M200018 | N00 | V00 | E00 | J00 | T00 | - | M200033 | N00 | V00 | E00 | J00 | T00 | - | |
| 8262K237 | M200018 | N00 | V00 | E00 | J00 | T00 | - | M200034 | N00 | V00 | E00 | J00 | T00 | - | |

(*) Ensure that the compatibility of the fluids in contact with the materials is verified.

All leaflets are available on: www.asconumatics.eu

| | | ACCESSORIES CODE |
|---|--|------------------|
|  | Mounting bracket Steel version (AISI 1010 / 1.1121) | M200094A00 |
| | Mounting bracket Stainless steel version (AISI 304 / 1.4301) | M200095A00 |

INSTALLATION

- The solenoid valves can be mounted in any position without affecting operation
- Solenoid valves have 2 mounting holes in body
- Pipe connections 1/4 (G*) have standard combination thread according to ISO 228/1 and ISO 7/1. Pipe connections G 1/8 have standard thread according to ISO 228/1
- Pipe connection identifier is 8 = NPT (SAE 71051)
- Installation/maintenance instructions are included with each valve

DIMENSIONS (mm), WEIGHT (kg)

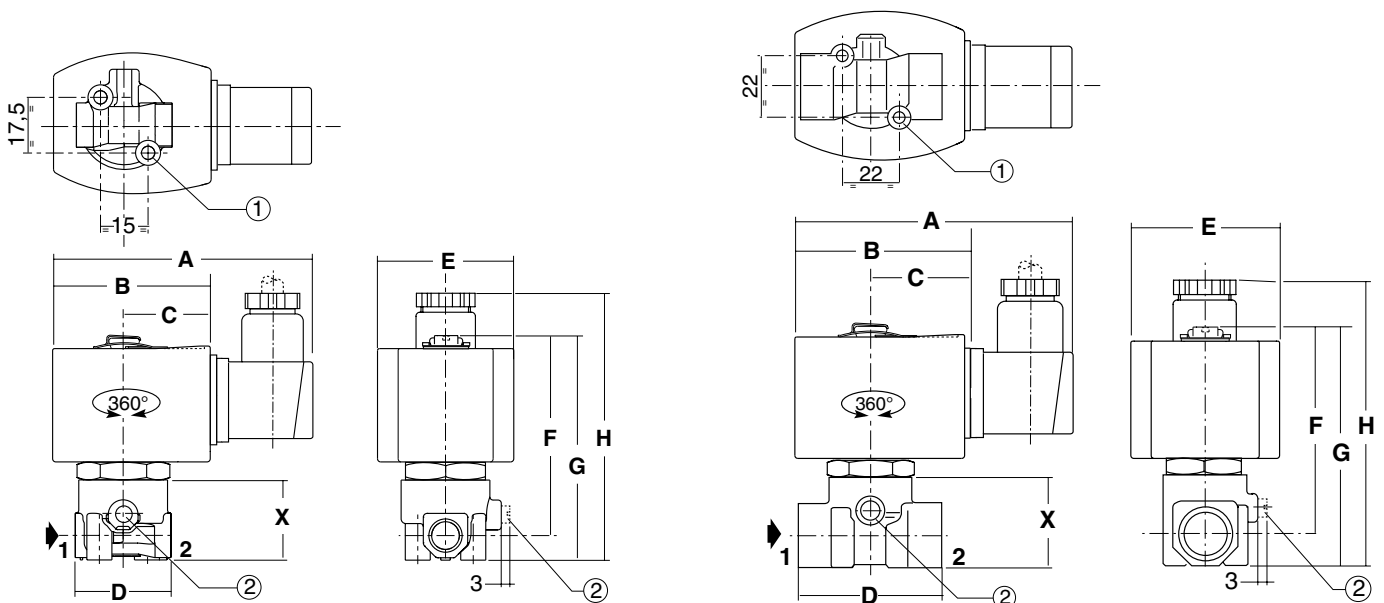


TYPE 01

Electrical interface "S1"
Epoxy moulded
IEC 335 / ISO 4400
IP65

1/8, power coil 8,1 W / 10,6 W and 11,1 W / 18,6 W

1/4, power coil 8,1 W / 10,6 W and 11,1 W / 18,6 W



| type | pipe size | A | B | C | D | E | F | G | H | X | weight ⁽¹⁾ |
|------|-----------|----|----|----|----|----|----|----|----|----|-----------------------|
| 01 | 1/8 | 91 | 51 | 30 | 30 | 43 | 62 | 71 | 88 | 26 | 0,30 |
| | 1/4 | 95 | 57 | 33 | 40 | 43 | 65 | 75 | 92 | 30 | 0,42 |

- ① 2 mounting holes:
M5 dia., depth 6,5 mm (1/8)
M5 dia., depth 7,5 mm (1/4)
- ② Manual operator location

⁽¹⁾ Incl. coil(s) and connector(s).

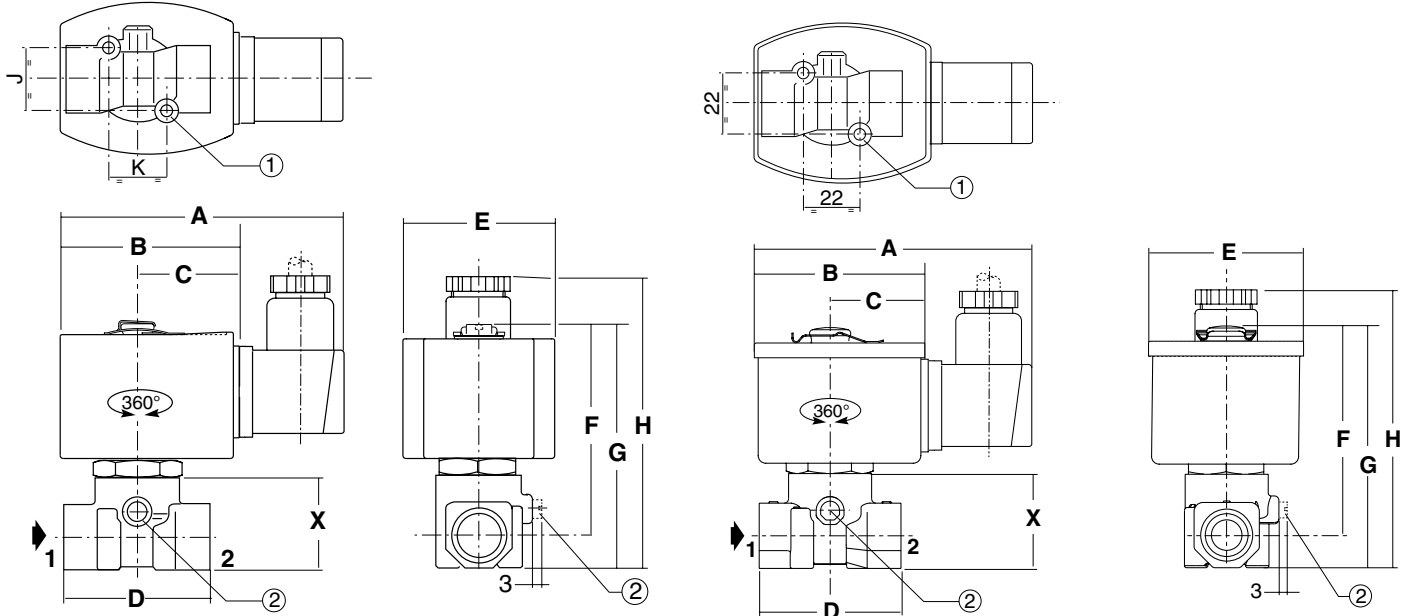
DIMENSIONS (mm), WEIGHT (kg)



TYPE 02
 Electrical interface "S1"
 Epoxy moulded
 IEC 335 / ISO 4400
 IP65

NC: 1/4, power coil 10,1 W / 11,6 W and 17,1 W / 22,6 W

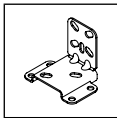
NO: 1/8-1/4, power coil 10,1 W / 11,6 W



| type | pipe size | A | B | C | D | E | F | G | H | J | K | X | weight ⁽¹⁾ |
|------|-----------|----|----|----|----|----|----|----|----|------|----|----|-----------------------|
| 02 | 1/8 (NO) | 96 | 59 | 34 | 30 | 52 | 67 | 75 | 88 | 17,5 | 15 | 26 | 0,50 |
| | 1/4 (NC) | 95 | 57 | 33 | 40 | 50 | 69 | 78 | 96 | 22 | 22 | 30 | 0,60 |
| | 1/4 (NO) | 96 | 59 | 34 | 40 | 52 | 69 | 78 | 96 | 22 | 22 | 30 | 0,62 |

⁽¹⁾ Incl. coil(s) and connector(s).

- ① 2 mounting holes:
M5 dia., depth 7,5 mm (1/4)
- ② Manual operator location.



Mounting bracket
 Steel or stainless steel

M200094A00 / M200095A00

