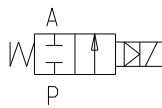
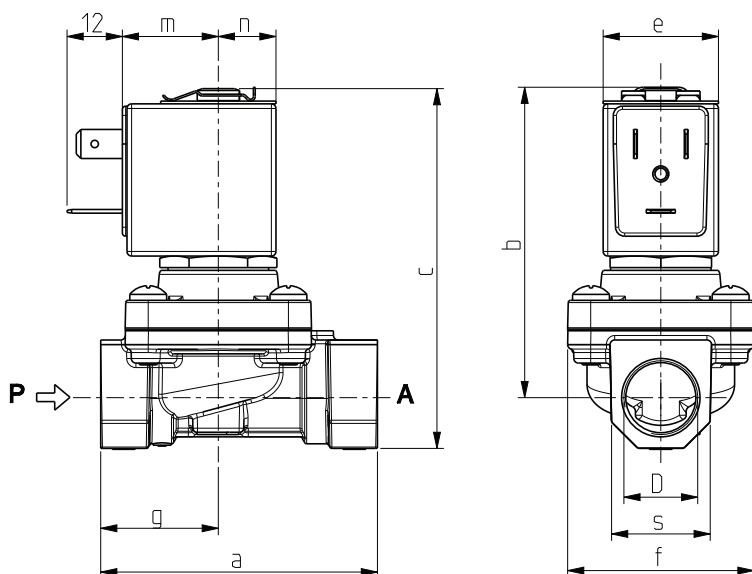


ASCO™ SOLENOID VALVE

2/2 NORMALLY CLOSED – PILOT OPERATED - 3/8 ÷ 1 NPT

SERIES
L145-NPT



D	a	b	c	e	f	m	n	s	g
3/8 NPT	60	69	80	25	40	21	12,5	22	25,5
1/2 NPT	66	72	85	25	40	21	12,5	27	33
3/4 NPT	79	78	94,5	32	50	27	16	33	39,5
1 NPT	105	102	123	32	71	27	16	42	46

General Features

Diaphragm valve, pilot operated, having full orifice.
Suitable to shut off liquid and gaseous fluids; particularly suitable to shut off overheated water and steam (verify the compatibility of fluid with materials in contact).

Technical Features

Maximum allowable pressure (PS)	3/8 NPT and 1/2 NPT: 16 bar 3/4 NPT and 1 NPT: 9 bar
Opening time	~100ms
Closing time	from ~500ms to ~1500ms
Fluid temperature	+60°C +170°C
Max viscosity	5°E (~37 cStokes or mm ² /s)

Materials in Contact with Fluid

Body	Brass
Sealing	Reinforced PTFE (Polytetrafluorethylene)
Internal components	Brass and stainless steel
Seat	Stainless steel
Guide assembly	Stainless steel
Shading ring	Copper

Coil

Continuous duty	ED 100%
Encapsulation material	PET (polyethylene terephthalate) fiberglass reinforced
Insulation class	Z5: H(165°C) – UL - Z6: H(180°C) - UL
Ambient temperature	-10°C +80°C
Electric connections	Z5: DIN 46340 – 3 poles connector (EN175301-803) Z6: DIN 46340 – 3 poles connector
Protection degree	IP 65 (EN 60529) with plug connector
Voltages	AC 24V/50Hz - 110V/50Hz (120V/60Hz) 230V/50Hz (+10% -15%) (Other voltages and frequencies on request)

Port size (ins)	Orifice size (mm)	Differential pressure (bar)				Kv (m ³ /h)	Series and type		Power absorption			Sealings	Notes	Weight (lbs)
		Δp min	Δp max		Valve		Coil	AC (VA)		DC (W)				
			Gases	Liquids				Inrush	Holding					
3/8 NPT	10	0,4	8	8	2	L145R06	Z614A	16	10	-	reinforced PTFE	1	0,360	
1/2 NPT													2,5	0,415
3/4 NPT	16		6	6	4,5	L145R08	Z534A	23	14				0,760	
1 NPT	18,5		6	6	8,5								1,365	

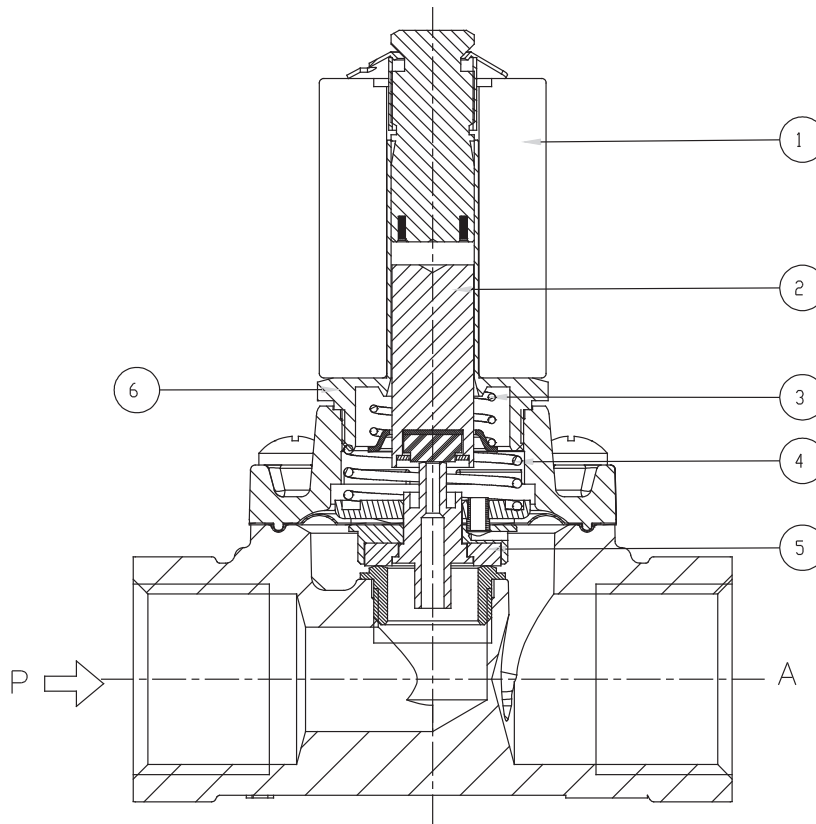
Notes

- Sealings : PTFE = Polytetrafluorethylene (reinforced)
- 1 - On request Z610A or Z530A coil, encapsulated in PET (Polyethylene terephthalate) class "F": maximum fluid temperature +100°C, maximum ambient temperature +60°C.

SERIES
L145-NPT

ASCO™ SOLENOID VALVE
2/2 NORMALLY CLOSED – PILOT OPERATED - 3/8 ÷ 1 NPT

Spare Parts



Kit description	Port Size	Kit P.N.	Consisting of:
Core kit	3/8 – 1/2 NPT	G2641702	Core pos. 2
	3/4 – 1 NPT	G2665102	Core return spring pos. 3
Diaphragm assembly kit	3/8 – 1/2 NPT	G2647501	Diaphragm assembly pos. 5 Spring on diaphragm pos. 4
	3/4 NPT	G2653301	
	1 NPT	G2665201	
Spring on diaphragm kit	3/8 – 1/2 NPT	G2635301	N. 10 springs on diaphragm pos. 4
	3/4 NPT	G2641501	
	1 NPT	G2662201	
Core return spring kit	3/8 – 1/2 NPT	G2651301	N.10 core return spring pos. 3
	3/4 – 1 NPT	G2555101	
Guide assembly	3/8 – 1/2 NPT	2817601R	Guide assembly pos. 6
	3/4 – 1 NPT	2797701R	
Coil	3/8 – 1/2 NPT	Z614A	Coil pos. 1
	3/4 – 1 NPT	Z534A	

Installation

- Solenoid valve can be mounted in any position; vertical with coil upwards preferred.

THE VALIDITY OF REPORTED DATA IS REFERRED TO THE DATE OF ISSUE. POSSIBLE UPDATES ARE AVAILABLE ON REQUEST