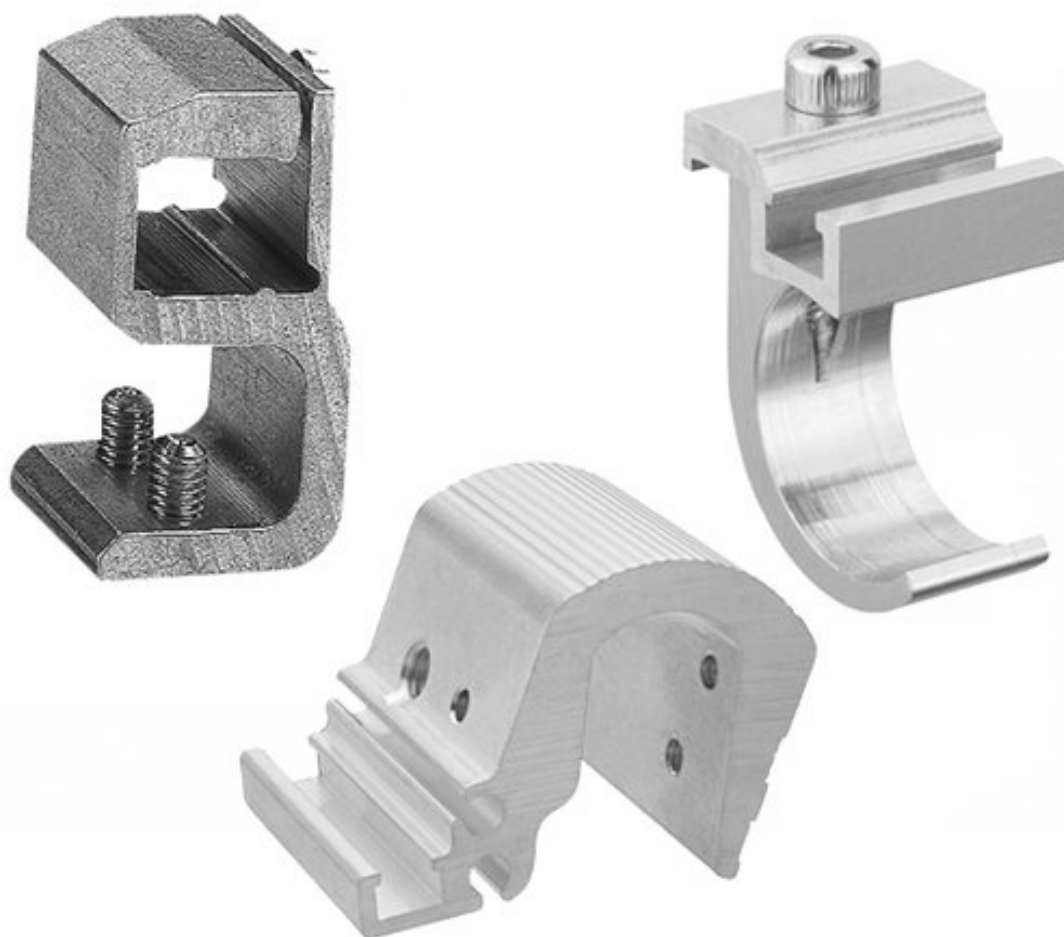


Sensor mountings



AVENTICS™ Sensor mountings



Sensor mounting, Series CB1

- for series ST4, ST6

- to mount on cylinder MNI, ICM, CSL-RD



Ambient temperature min./max.

-30 ... 80 °C

Weight

0.007 kg

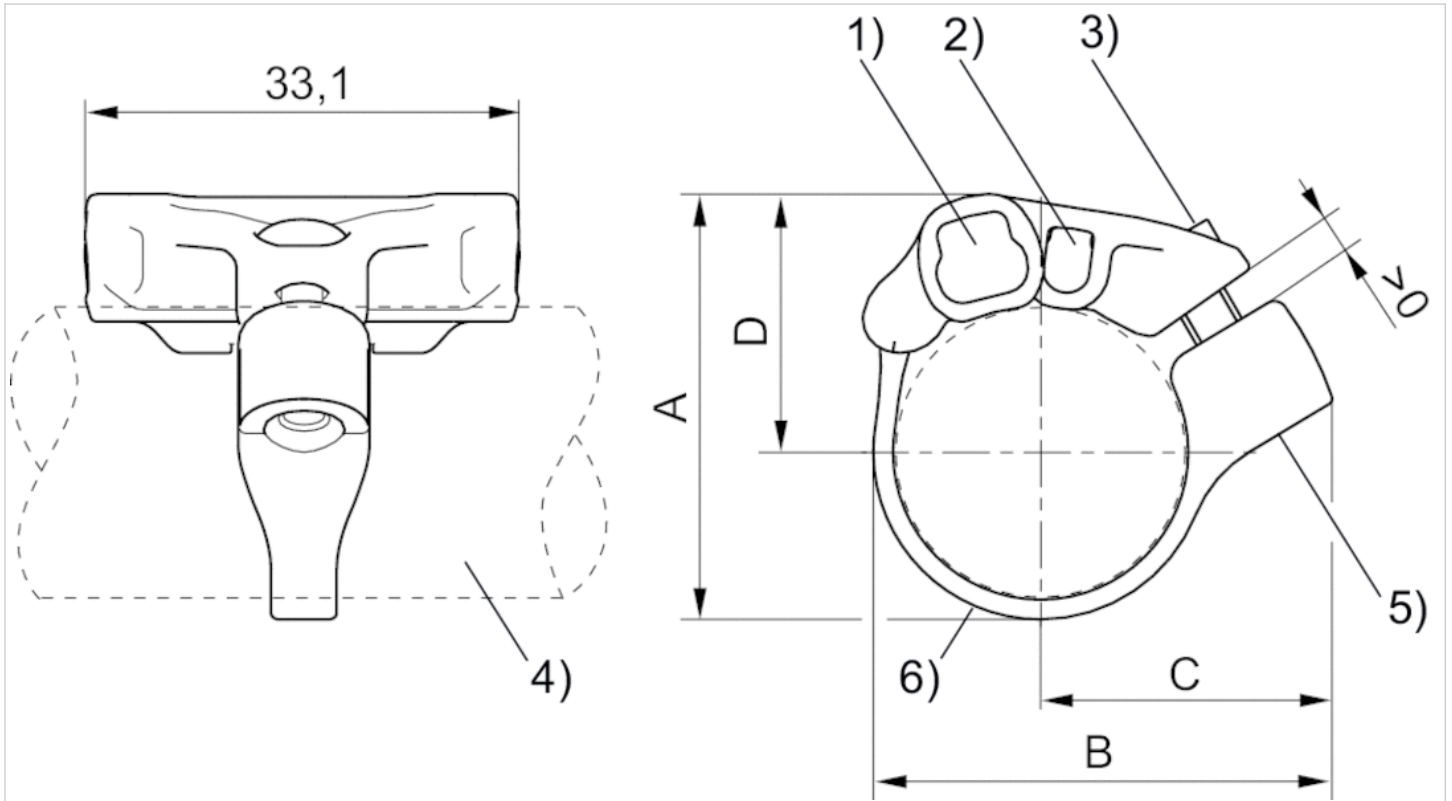
Technical data

Part No.	Cylinders Ø	for series	Scope of delivery
	min.		
R412021791	16 mm	ST4, ST6	1 piece
R412021792	20 mm	ST4, ST6	1 piece
R412021793	25 mm	ST4, ST6	1 piece

Technical information

Material	
	Polyamide Stainless steel

Dimensions



1) Sensor slot for ST6 2) Sensor slot for ST4 3) Mounting screw (made of stainless steel) 4) Cylinder profile 5) Thread insert (made of stainless steel) 6) Tightening strap

Dimensions

Part No.	A	B	C	D
R412021791	27.7	32.5	22.1	17.3
R412021792	32.4	35	22.4	19.7
R412021793	37.4	39.5	24.3	22.2

Sensor mounting, Series CB1

- for series ST6, SM6, SN1, SN2

- to mount on cylinder TRB, C12P, CVI, 523



Weight

0.031 kg

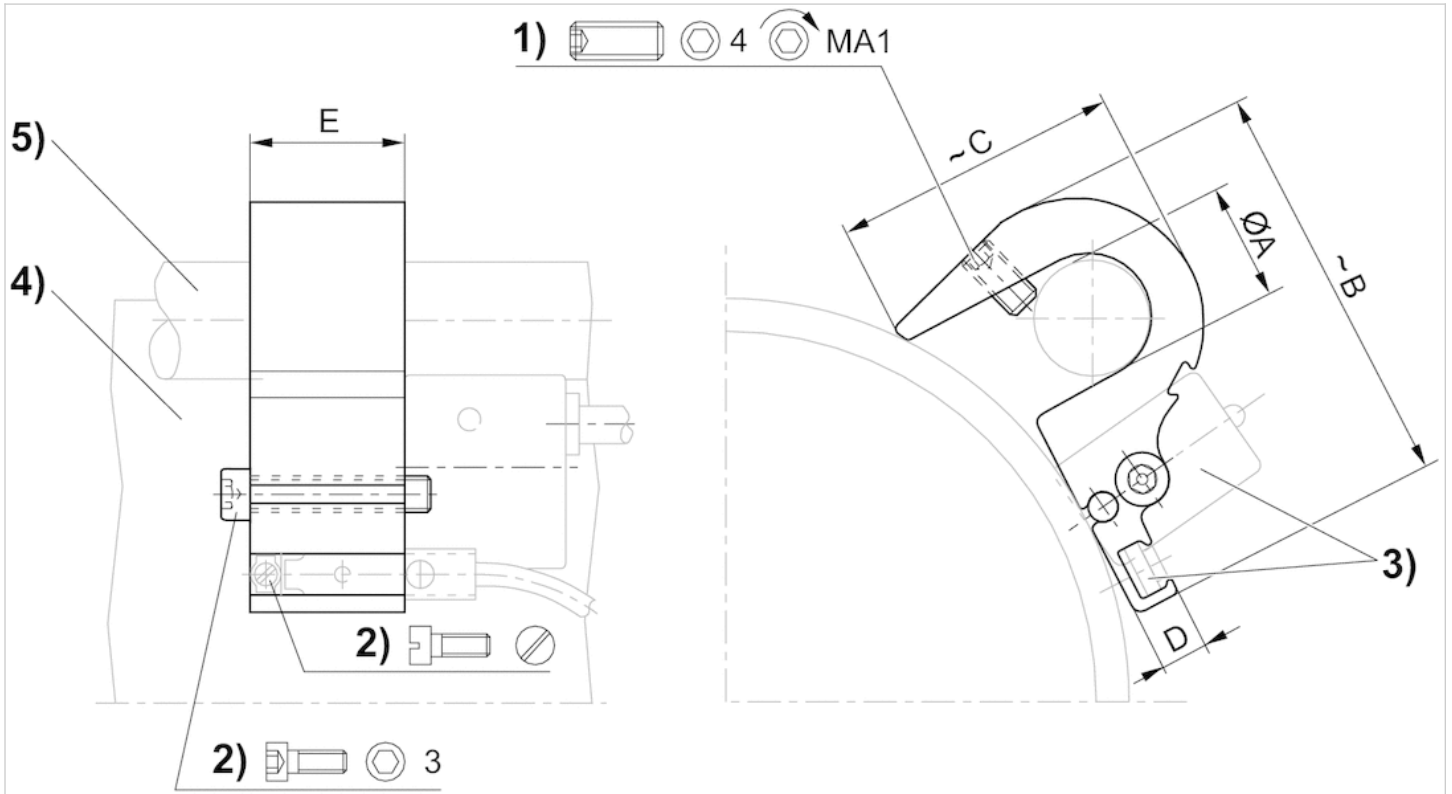
Technical data

Part No.	Cylinders Ø		for series
	min.	max.	
1827020292	125 mm	125 mm	ST6, SM6, SN1, SN2

Technical information

Material	
	Aluminum

Dimensions



1) Clamping threaded pin 2) Mounting screw for sensor 3) Sensor 4) Cylinder profile 5) Tie rod

Dimensions

Part No.	Ø A	B	C	D	E	1)	MA1 [Nm]
1827020292	12	45	29	6.5	21	M5x10	2

Sensor mounting, Series CB1

- for series ST6, SM6

- to mount on cylinder TRB, C12P, 167, CVI, TRR, 523



Weight

See table below

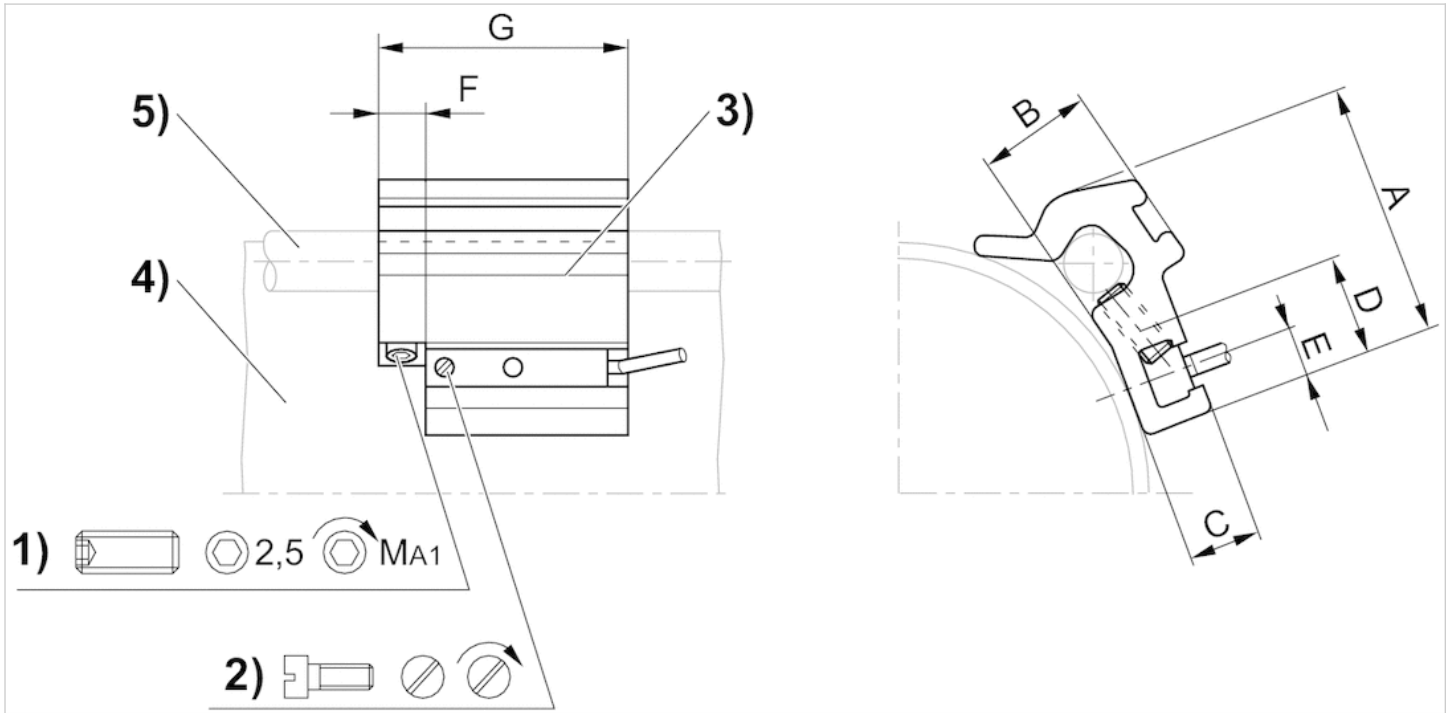
Technical data

Part No.	Cylinders Ø		for series	Weight
	min.	max.		
1827020282	32 mm	40 mm	ST6, SM6	0.016 kg
1827020283	50 mm	63 mm	ST6, SM6	0.029 kg
1827020284	80 mm	100 mm	ST6, SM6	0.042 kg

Technical information

Material	
	Aluminum

Dimensions



1) Clamping threaded pin 2) Mounting screw for sensor 3) Sensor 4) Cylinder profile 5) Tie rod

Dimensions

Part No.	A	B	C	D	E	F	G	1)	MA1 [Nm]
1827020282	26	10	7	14	5	8	40	M5x8	2 ±0,2
1827020283	32.5	15.5	7	14	5	8	40	M5x10	2 ±0,2
1827020284	43	17	6.9	14	5	8	40	M5x16	2 ±0,2

Sensor mounting, Series CB1

- for series ST6, SN2, SN6, SN1, SM6, SM6-AL

- to mount on cylinder C12P, ITS



Weight

See table below

Technical data

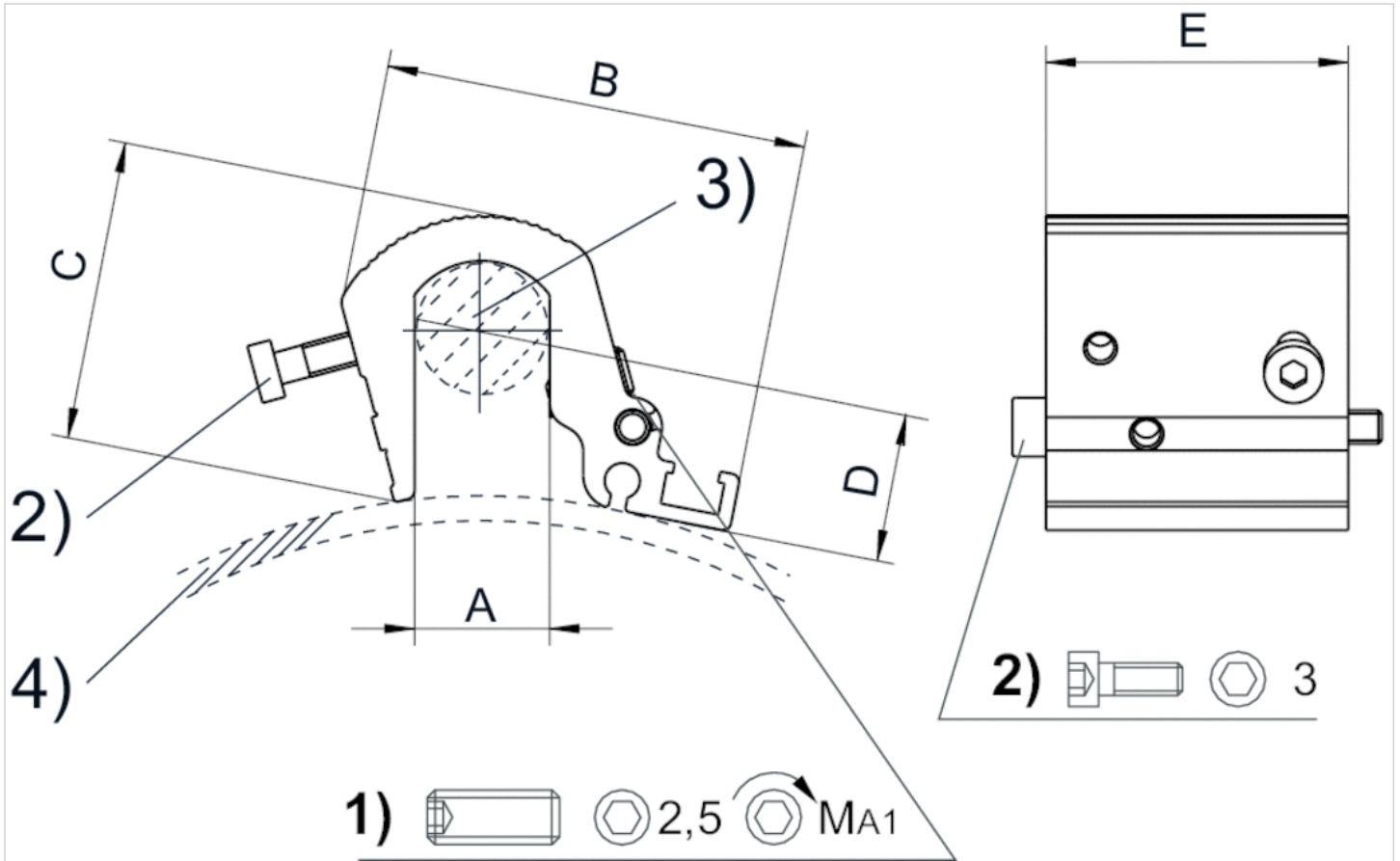
Part No.	Cylinders Ø		for series	Weight
	min.	max.		
R412017979	160 mm	200 mm	ST6, SN2, SN6, SN1, SM6, SM6-AL	0.058 kg
R412017980	250 mm	320 mm	ST6, SN2, SN6, SN1, SM6, SM6-AL	0.073 kg

Scope of delivery: Incl. mounting screws

Technical information

Material
Aluminum

Dimensions



1) Clamping threaded pin 2) Mounting screws for sensor 3) Tie rod 4) Cylinder profile

Dimensions

Part No.	Cylinders Ø	A	B	C	D	E	MA1 [Nm]
R412017979	200 mm	16	51	36	6.8	36	2
R412017980	320 mm	24	56	44.5	6.8	36	2

Scope of delivery: Incl. mounting screws

Sensor mounting, Series CB1

- for series ST6

- to mount on cylinder KHZ



Weight

0.034 kg

Technical data

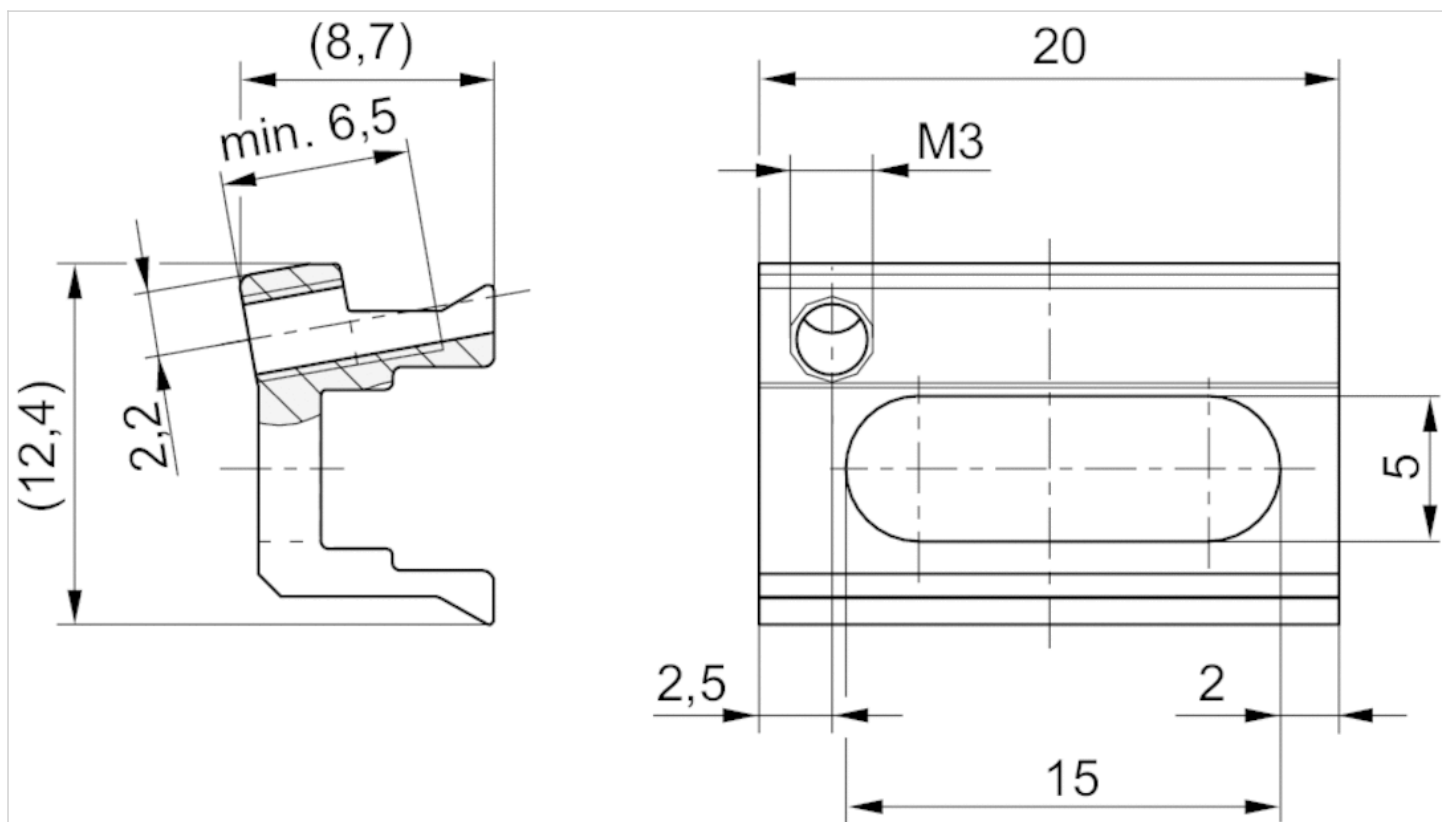
Part No.	for series
R422100250	ST6

Scope of delivery: incl. threaded pin

Technical information

Material
Aluminum, anodized

Dimensions



Dimensions

Part No.
R422100250

Scope of delivery: incl. threaded pin

Sensor mounting, Series CB1

- for series ST6, SM6

- to mount on cylinder MNI, ICM



Weight

See table below

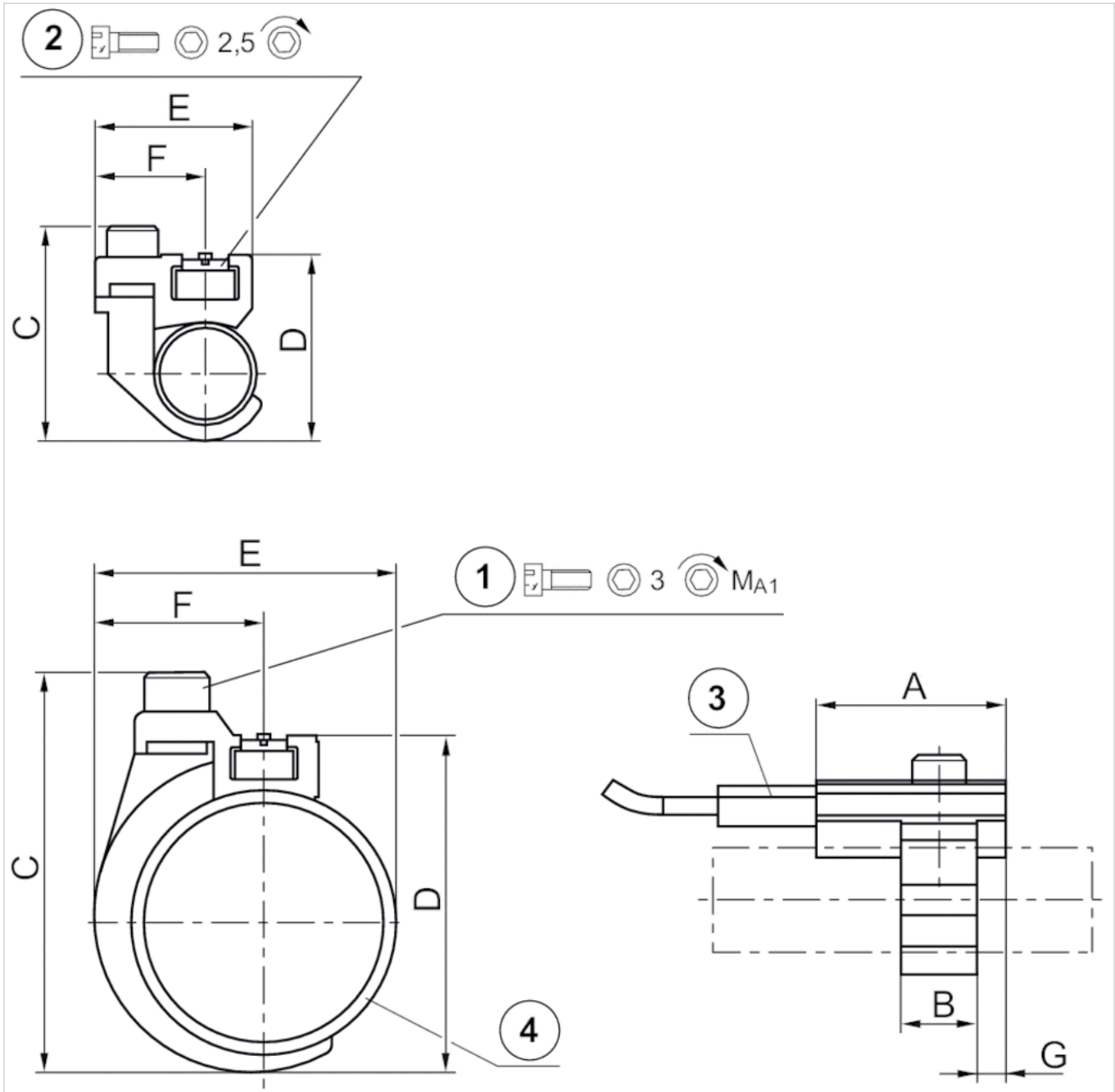
Technical data

Part No.	Cylinders Ø	for series	Weight
	min.		
1827020296	10 mm	ST6, SM6	0.009 kg
1827020297	12 mm	ST6, SM6	0.01 kg
1827020298	16 mm	ST6, SM6	0.014 kg
1827020299	20 mm	ST6, SM6	0.014 kg
1827020300	25 mm	ST6, SM6	0.015 kg

Technical information

Material	
	Aluminum

Dimensions



1) Mounting screw 2) Mounting screw for sensor 3) Sensor 4) Cylinder pipe

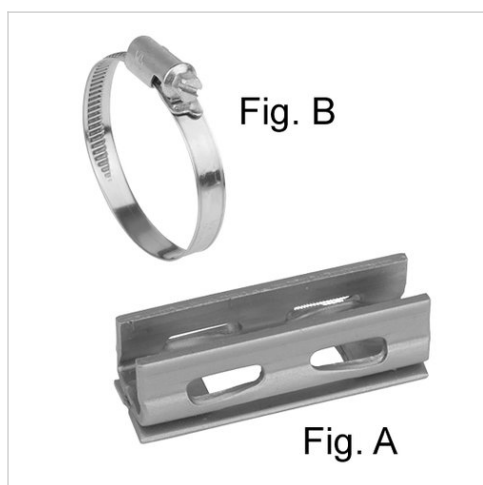
Dimensions

Part No.	A	B	C	D	E	F	G	1)	MA1 [Nm]
1827020296	20	8	24	19	17.5	11.8	3	M3x8	1 +0,2
1827020297	20	8	26	22	19	11.8	3	M3x8	1 +0,2
1827020298	20	12	34	30	23	13.8	4	M4x10	2 +0,3
1827020299	20	12	38	32	26	13.8	4	M4x10	2 +0,3
1827020300	20	12	43	37	31	13.8	4	M4x10	2 +0,3

Sensor mounting, Series CB1

- for series ST6

- to mount on cylinder CSL-RD, ICM, ICS-D1, ICS-D2, RPC



Weight

See table below

Technical data

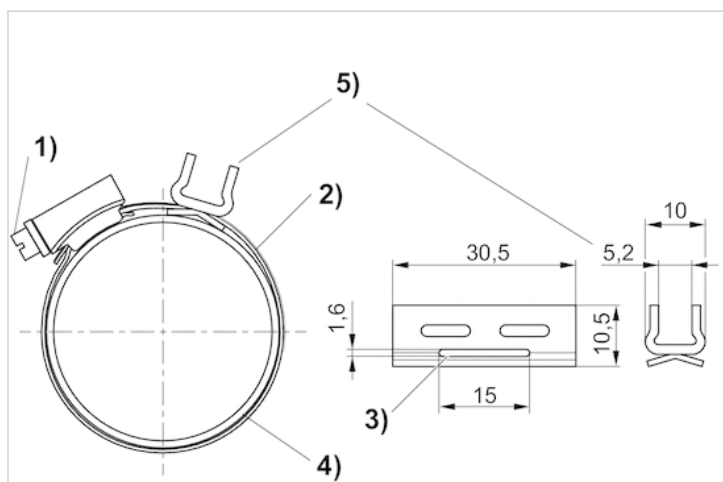
Part No.	Cylinders Ø	Cylinders Ø	for series	Weight	Fig.
	min.	max.			
R412024050	25 mm	32 mm	ST6	-	Fig. B
R412024051	40 mm	40 mm	ST6	-	Fig. B
R412024052	50 mm	50 mm	ST6	-	Fig. B
R412024053	63 mm	63 mm	ST6	-	Fig. B
R412024054	25 mm	63 mm	ST6	0.011 kg	Fig. A

Sensor holder (Fig. A) and tightening strap (Fig. B) must be ordered separately.

Technical information

Material	
	Stainless steel

Dimensions



1) Mounting screw 2) Tightening strap 3) Opening for tightening strap 4) Cylinder tube 5) Sensor holder

Dimensions

Part No.	Cylinder tube Ø	For series	Fig.
R412024050	25 40 mm	ST6	Fig. B
R412024051	32 50 mm	ST6	Fig. B
R412024052	40 60 mm	ST6	Fig. B
R412024053	50 70 mm	ST6	Fig. B
R412024054	-	ST6	Fig. A

Sensor mounting, Series CB1

- for series ST6

- to mount on cylinder RPC



Weight

See table below

Technical data

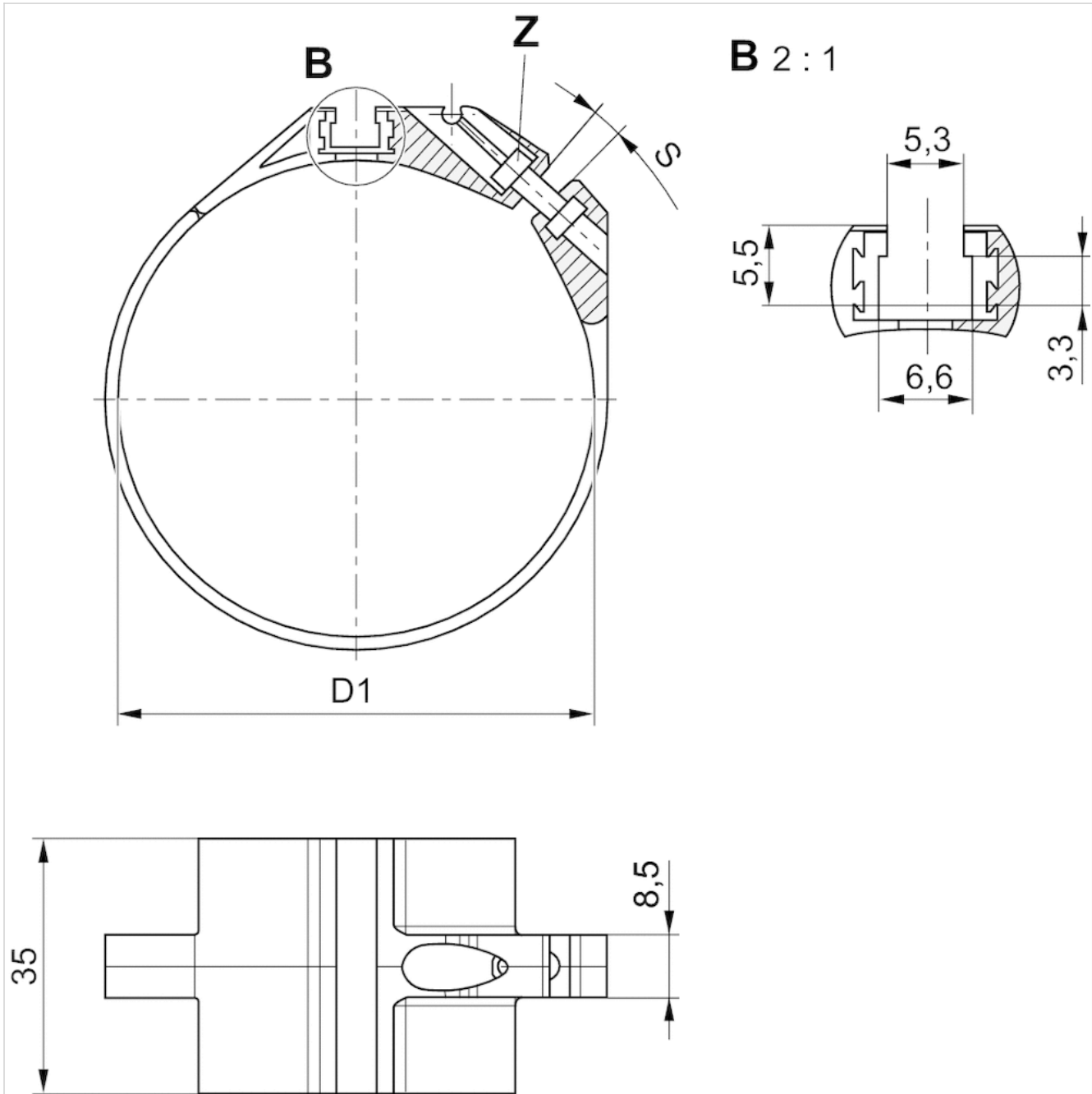
Part No.	Cylinders Ø		for series	Weight
	min.	max.		
R412025665	32 mm	32 mm	ST6	0.01 kg
R412025666	40 mm	40 mm	ST6	0.011 kg
R412025667	50 mm	50 mm	ST6	0.013 kg
R412025668	63 mm	63 mm	ST6	0.014 kg

Technical information

Material

Polyoxymethylene Aluminum

Dimensions



Dimensions

Part No.	D1	S	Z
R412025665	34	35	ISO 4762 - M3 x 10 A2
R412025666	42	43	ISO 4762 - M3 x 12 A2
R412025667	52,9	54	ISO 4762 - M3 x 12 A2
R412025668	65	66	ISO 4762 - M3 x 12 A2

S = recommended max. spread width [mm]

Sensor mounting, Series CB1

- for series ST6

- to mount on cylinder CCL-IC



Weight

0.006 kg

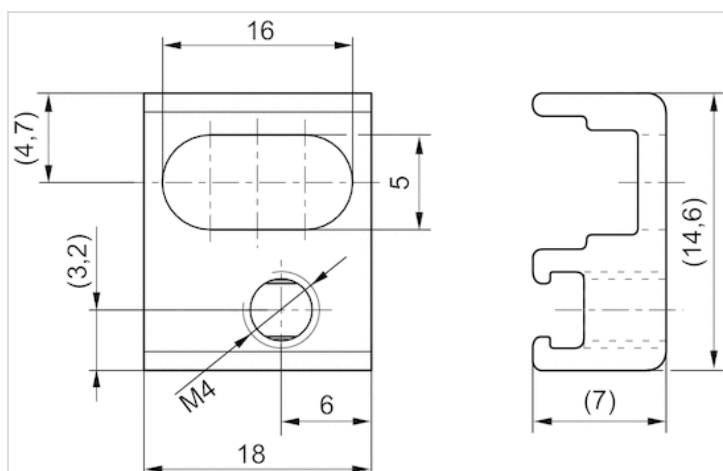
Technical data

Part No.	for series
R412025944	ST6

Technical information

Material
Aluminum

Dimensions



Scope of delivery: incl. threaded pin

Sensor mounting, Series CB1

- for series ST6

- to mount on cylinder CCL-IS



Weight

0.006 kg

Technical data

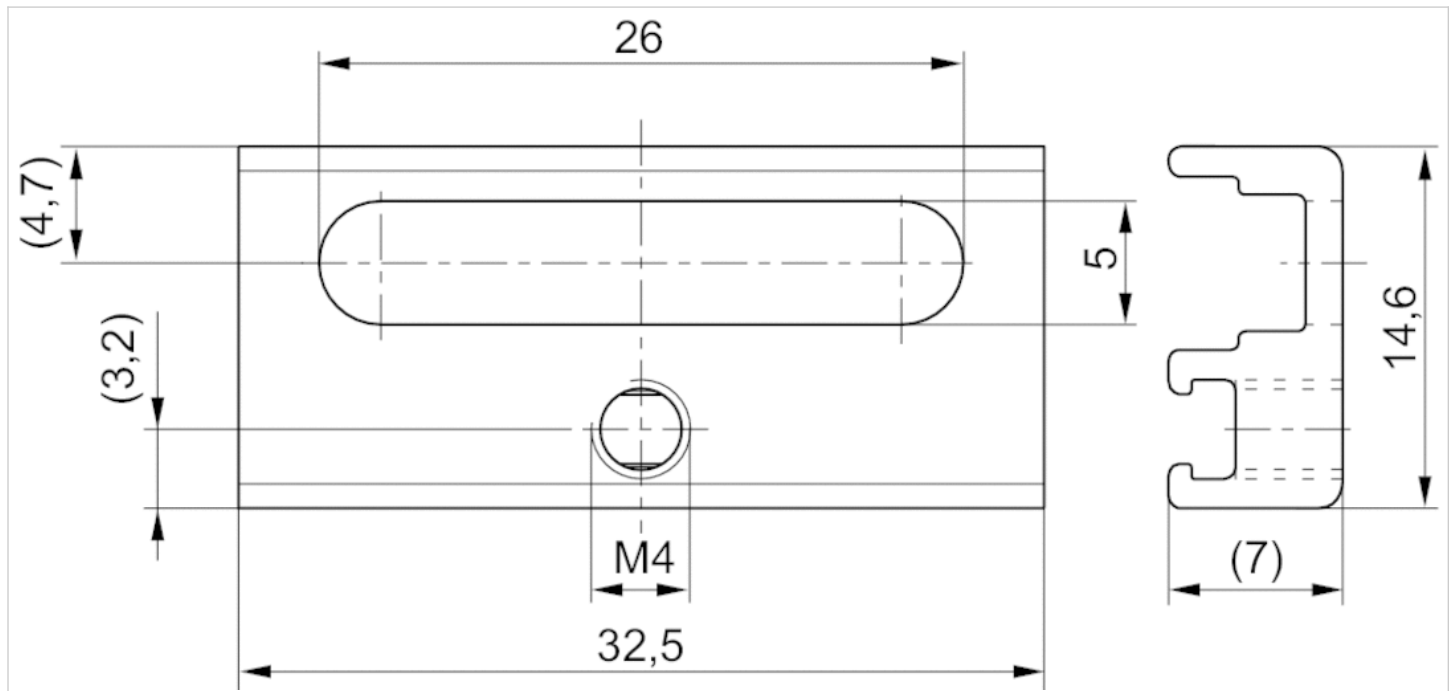
Part No.	for series
R402000040	ST6

Scope of delivery: incl. threaded pin

Technical information

Material
Aluminum

Dimensions



Sensor mounting, Series CB1

- for series ST6, SM6

Weight

0.01 kg

- to mount on cylinder 167

Technical data

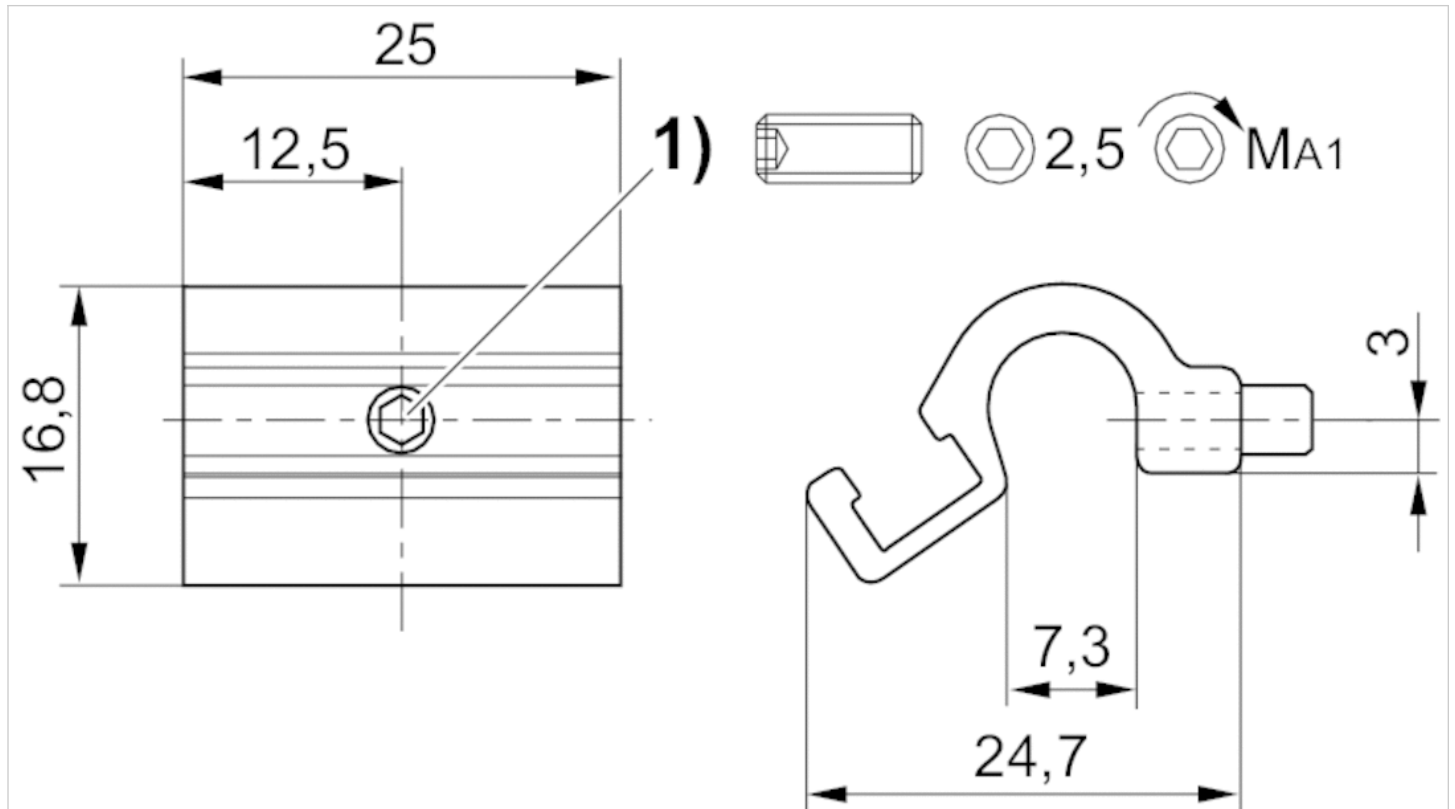
Part No.	Cylinders Ø	for series	Scope of delivery
	max.		
R412022357	25 mm	ST6, SM6	1 piece

Technical information

Material

Aluminum

Dimensions



1) Mounting screw

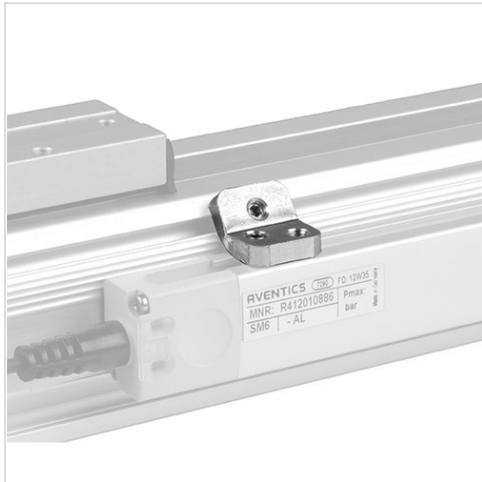
Dimensions

Part No.	MA1 [Nm]
R412022357	1 + 0,3

Sensor mounting, Series CB1

- for series SM6-AL

- to mount on cylinder RTC



Weight

0.007 kg

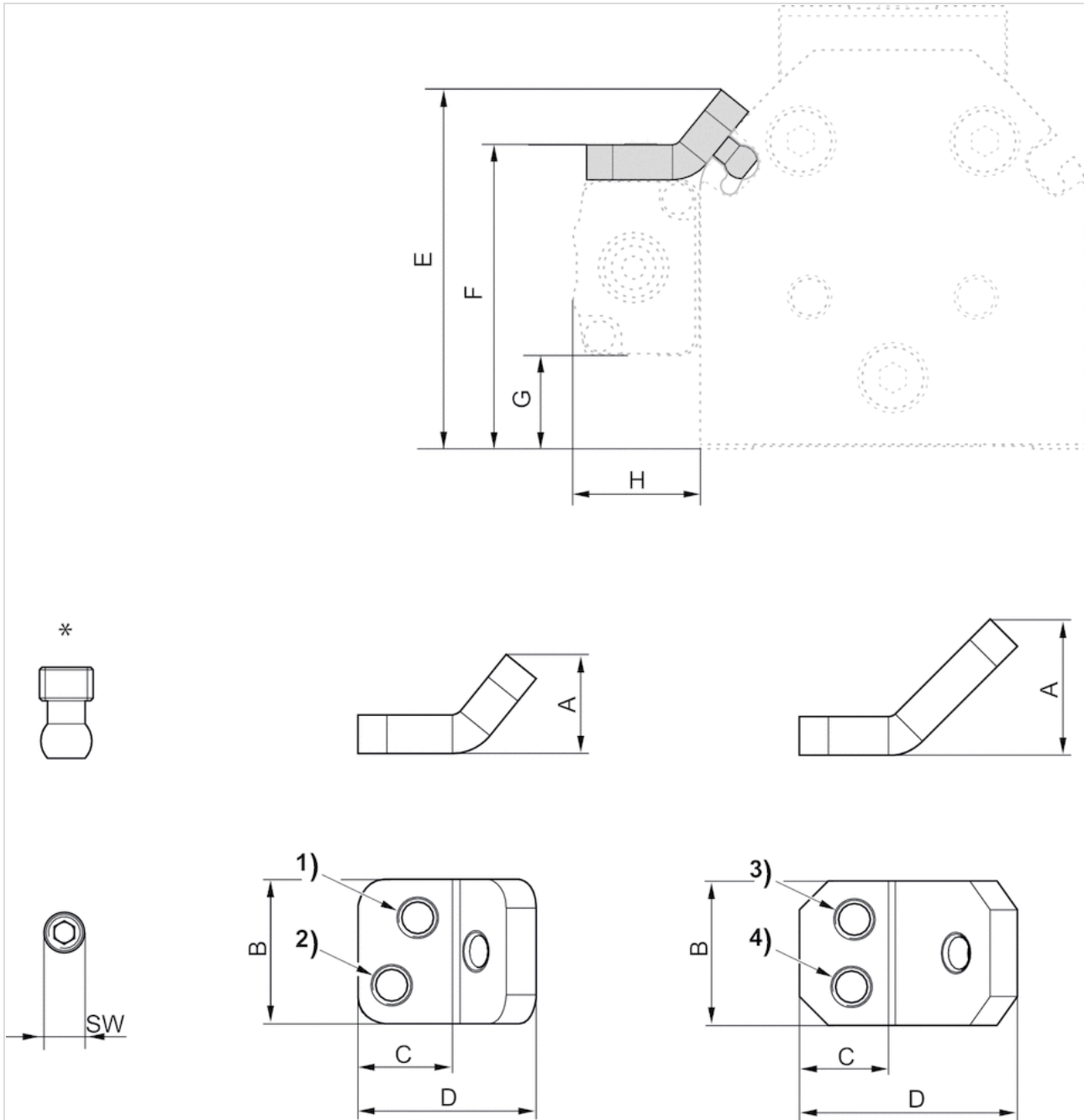
Technical data

Part No.	for series	Scope of delivery
R412022298	SM6-AL	1 piece

Technical information

Material
Aluminum

Dimensions



- * Threaded pin (brass)
- 2 clamp mounting sets for SM6-AL 109 - 469 mm
- 3 clamp mounting sets for SM6-AL 505 - 793 mm
- 4 clamp mounting sets for SM6-AL 829 - 1009 mm

Dimensions

Part No.	Piston Ø		A
R412022298	25	1)	10,3
	32	2)	10,3
	40	3)	14,2
	50	4)	14,2

B	C	D
15	9,8	18,5
15	9,8	18,5
15	9,2	22,6
15	9,2	22,6

E	F	G
41	34,7	10,7
46,7	40,4	16,4
55	45,2	21,1
60,6	50,5	26,5

H	SW
14,4	2
14,4	2
14,4	2
14,4	2

Sensor mounting

- for series SM6-AL



Weight

0.015 kg

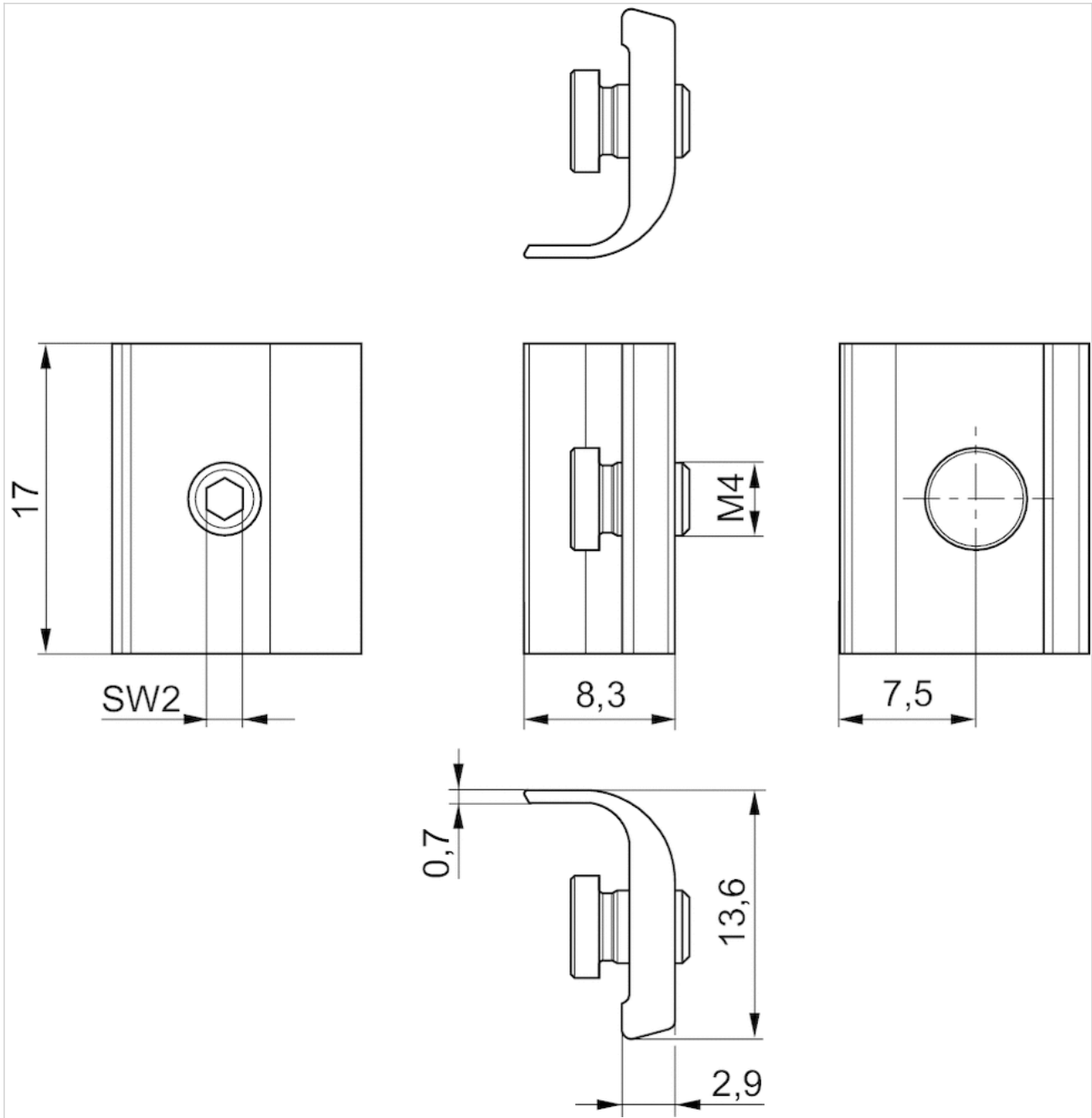
Technical data

Part No.	for series	Scope of delivery
R412010906	SM6-AL	2 piece

Technical information

Material
Aluminum

Dimensions



Sensor mounting, Series CB1

- for series SN1, SN2
- to mount on cylinder MNI



Weight

See table below

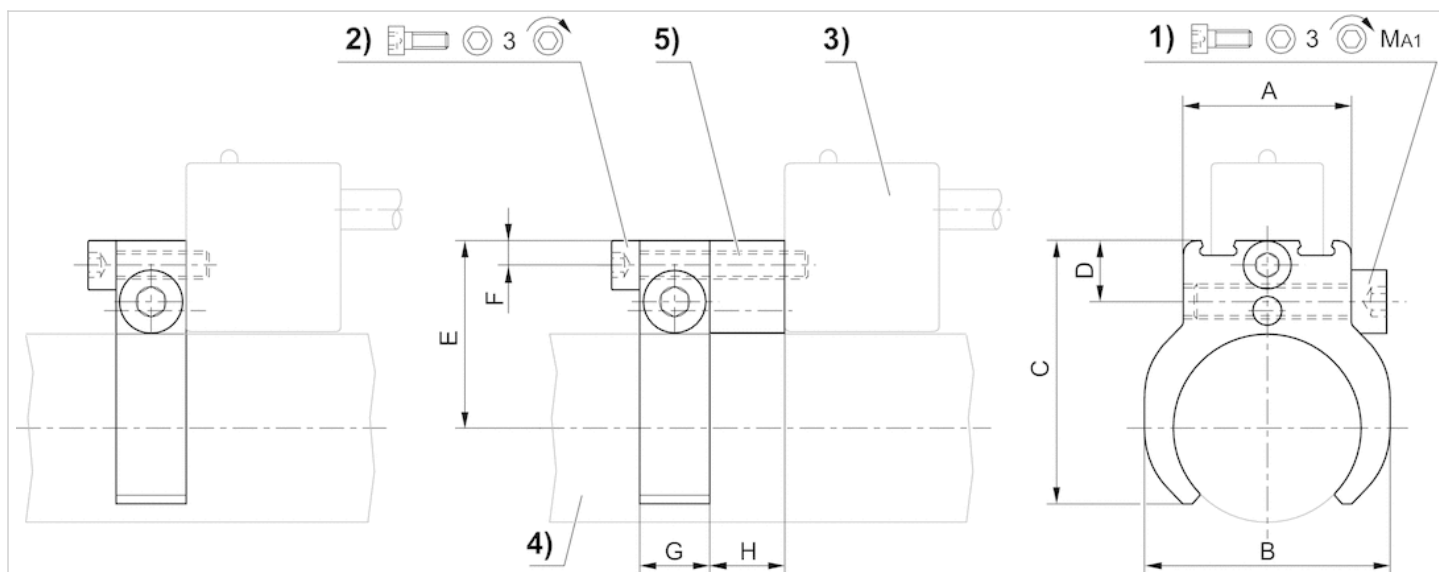
Technical data

Part No.	Cylinders Ø		for series	Weight
	min.	max.		
1827020065	10 mm	10 mm	SN1, SN2	0.016 kg
1827020066	12 mm	12 mm	SN1, SN2	0.018 kg
1827020067	16 mm	16 mm	SN1, SN2	0.02 kg
1827020068	20 mm	20 mm	SN1, SN2	0.021 kg
1827020069	25 mm	25 mm	SN1, SN2	0.025 kg

Technical information

Material	
	Aluminum

Dimensions



1) Clamping screw 2) Mounting screw for sensor 3) Sensor 4) Cylinder profile 5) Insert (on request)

Dimensions

Part No.	Cylinders Ø mm	A	B	C	D	E	F	G	H	1)	MA1 [Nm]
1827020065	10 mm	16	16	23.5	8.2	18.7	3.5	10	10.7	M4x14	1 +0,3
1827020066	12 mm	16	20	25.5	8.2	19.9	3.5	10	10.7	M4x14	1 +0,3
1827020067	16 mm	20	24	29.7	8.7	21.9	3.5	10	10.7	M4x25	1 +0,3
1827020068	20 mm	20	28	33	8.7	24.1	3.5	10	10.7	M4x25	1 +0,3
1827020069	25 mm	24	35	37.5	8.7	26.6	3.5	10	10.7	M4x25	1 +0,3

Sensor mounting, Series CB1

- for series SN1, SN2
- to mount on cylinder PRA



Weight

0.006 kg

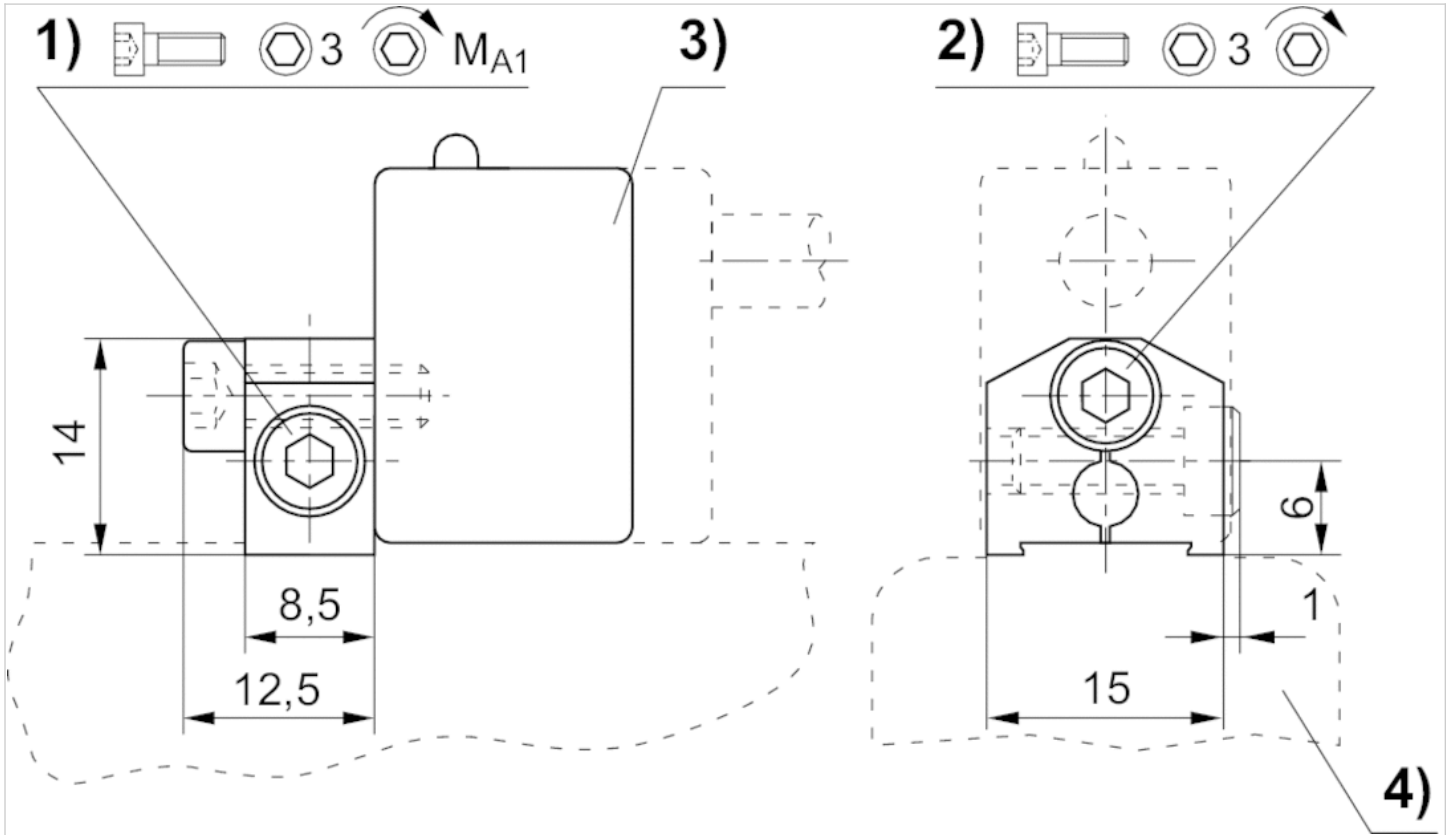
Technical data

Part No.	for series
1827020084	SN1, SN2

Technical information

Material
Aluminum

Dimensions



1) Clamping screw 2) Mounting screw for sensor 3) Sensor 4) Cylinder profile

Dimensions

Part No.	1)	M_{A1} [Nm]
1827020084	M4x12	2

Sensor mounting, Series CB1

- for series SN1, SN2

- to mount on cylinder TRB, TRR



Weight

See table below

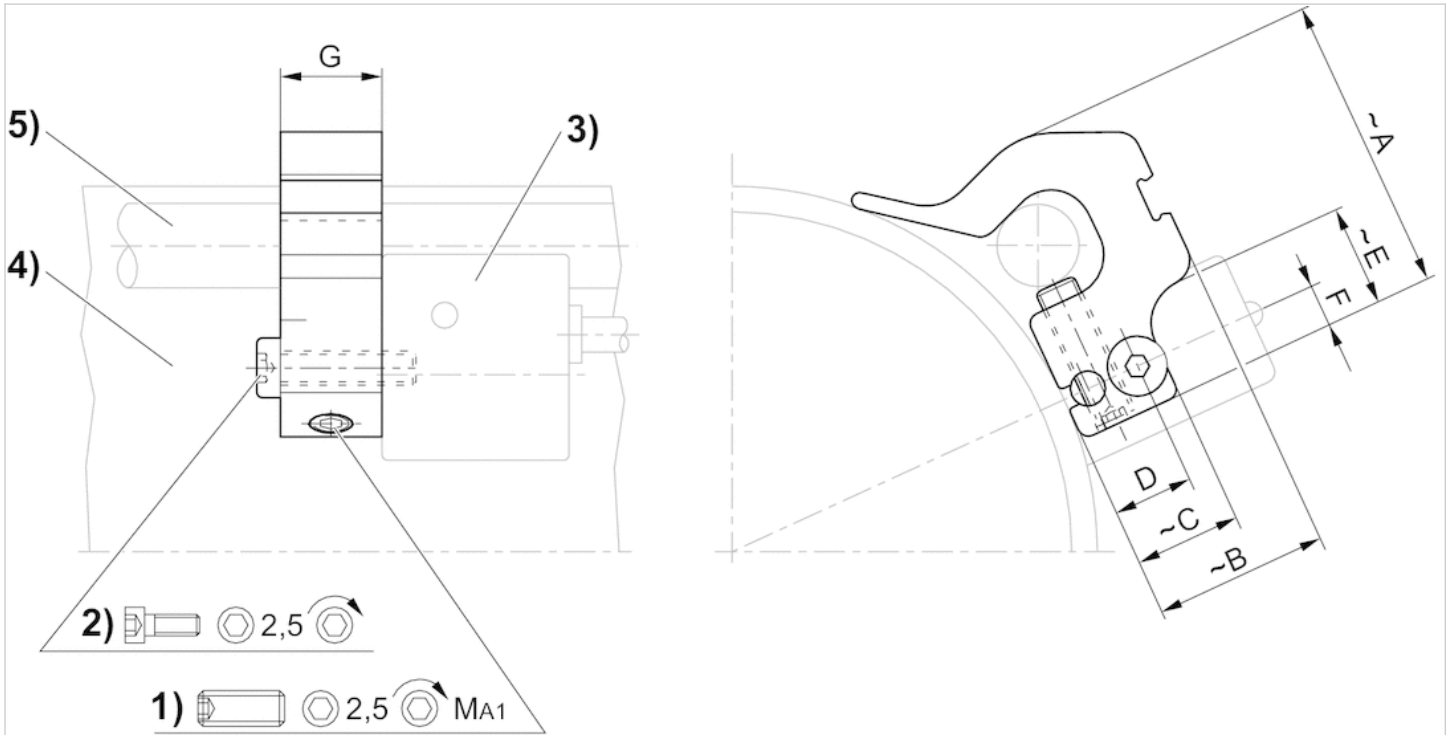
Technical data

Part No.	Cylinders Ø		for series	Weight
	min.	max.		
1827020081	32 mm	40 mm	SN1, SN2	0.015 kg
1827020082	50 mm	63 mm	SN1, SN2	0.013 kg
1827020083	80 mm	100 mm	SN1, SN2	0.018 kg

Technical information

Material	
	Aluminum

Dimensions



1) Clamping threaded pin 2) Mounting screw for sensor 3) Sensor 4) Cylinder profile 5) Tie rod

Dimensions

Part No.	Cylinders Ø mm	A	B	C	D	E	F	G	1)	MA1 [Nm]
1827020081	32 mm	25.3	12.5	12.5	9.5	-	5	16	M5x16	1 +0,3
1827020082	50 mm	28.7	15.6	12.5	9.5	12	5	12	M5x16	1 +0,3
1827020083	80 mm	33.8	23	12.5	9.5	12	5	12	M5x16	1 +0,3

Sensor mounting

- for series SN2



Weight

See table below

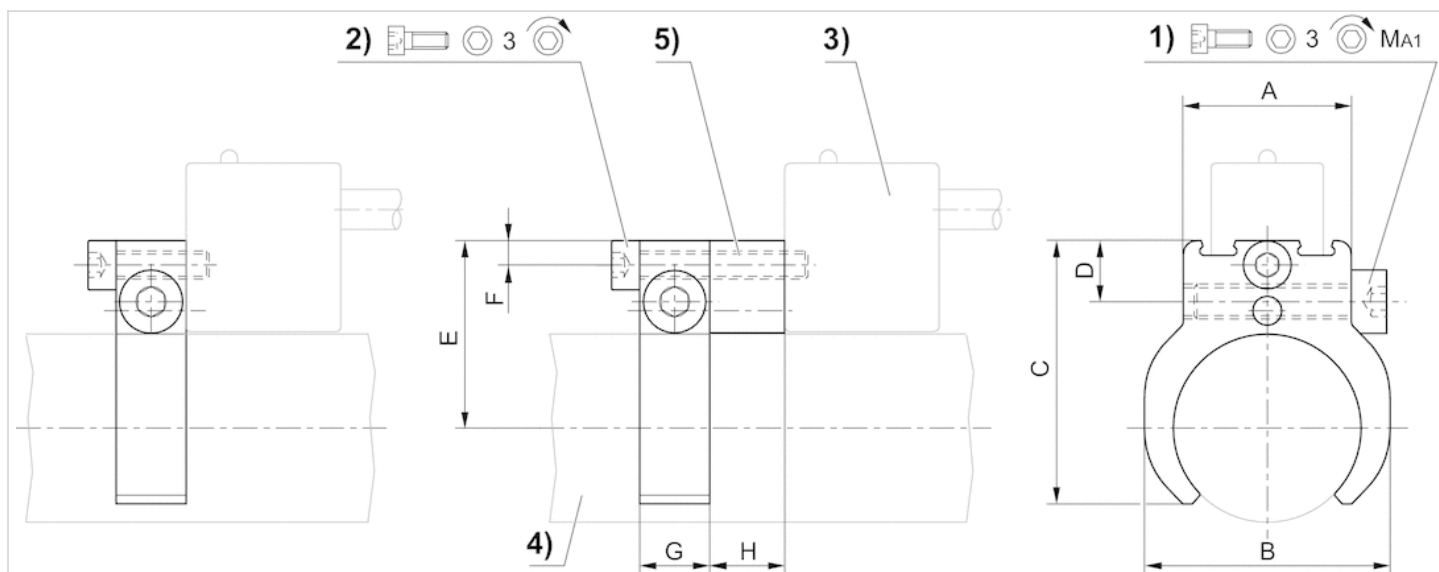
Technical data

Part No.	Cylinders Ø		for series	Weight
	min.	max.		
1827020142	32 mm	32 mm	SN2	0.023 kg
1827020143	40 mm	40 mm	SN2	0.027 kg
1827020144	50 mm	50 mm	SN2	0.031 kg
1827020266	63 mm	63 mm	SN2	0.04 kg

Technical information

Material
Aluminum

Dimensions



1) Clamping screw 2) Mounting screw for sensor 3) Sensor 4) Cylinder profile 5) Insert (on request)

Dimensions

Part No.	Cylinders Ø mm	A	B	C	D	E	F	G	H	1)	MA1 [Nm]
1827020142	32 mm	26	42	44	9	30	3.5	10	–	M4x25	1 +0,3
1827020143	40 mm	28	50	51	9	34	3.5	10	–	M4x25	1 +0,3
1827020144	50 mm	34	62	60	9	39.3	3.5	10	–	M4x25	1 +0,3
1827020266	63 mm	45	75	72	9.5	45.7	3.5	14	–	M4x18	1 +0,3

Sensor mounting, Series CB1

- for series SN3

- to mount on cylinder PRA, KPZ, GPC, CCI, KHZ



Weight

0.007 kg

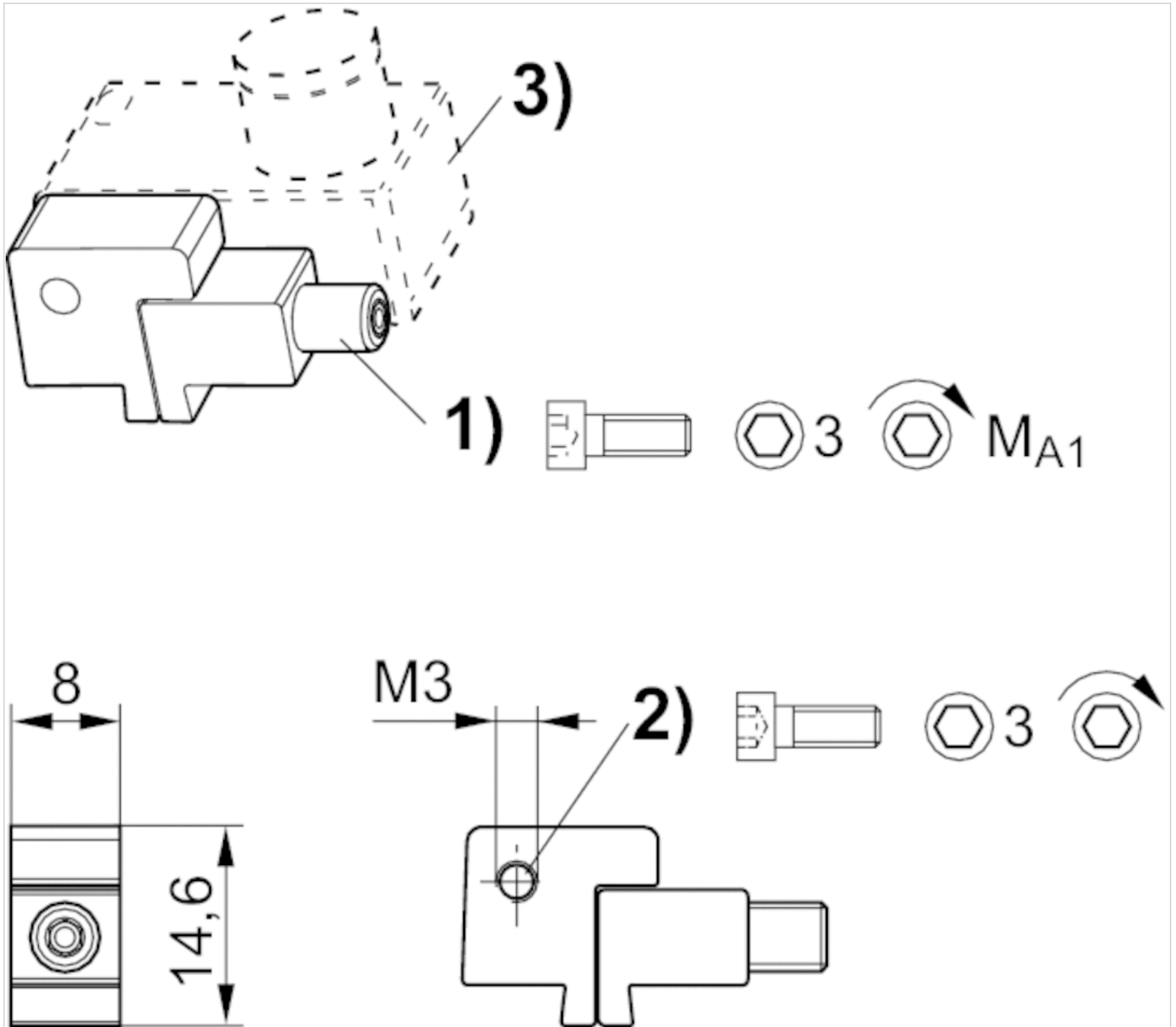
Technical data

Part No.	for series
1827020386	SN3

Technical information

Material
Aluminum

Dimensions



1) Clamping screw 2) Mounting screw for sensor 3) Sensor

Dimensions

Part No.	1)	MA1 [Nm]
1827020386	M3x25	1,8 +0,4

Sensor mounting, Series CB1

- for series SN5-X

- to mount on cylinder TRB, ITS



Weight

See table below

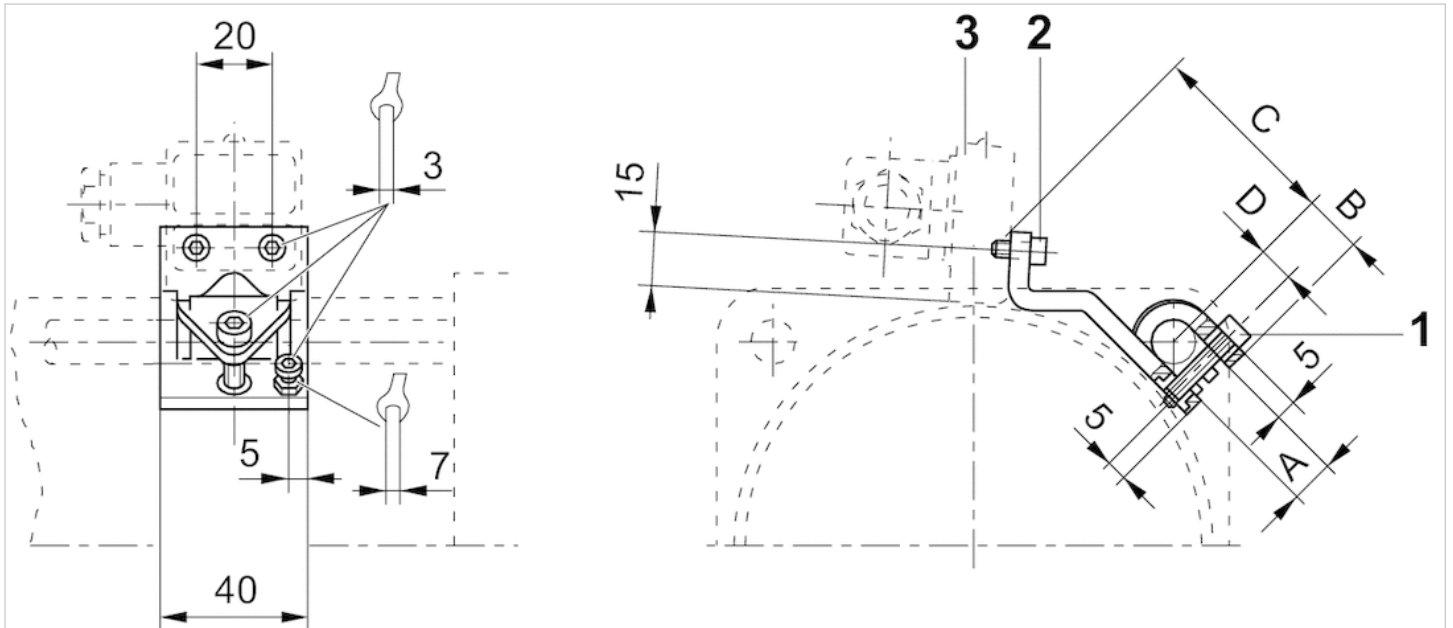
Technical data

Part No.	Cylinders Ø		for series	Weight
	min.	max.		
1827020076	3175 mm	125 mm	SN5-X	0.075 kg
1827020077	160 mm	200 mm	SN5-X	0.083 kg
1827020078	6350 mm	250 mm	SN5-X	0.094 kg

Technical information

Material	
	Aluminum

Dimensions



1) Mounting screw 2) Mounting screw for sensor 3) Sensor

Dimensions

Part No.	A +0,5	B ±1	C ±2	D
1827020076	12	15	54	9
1827020077	16	17	53	11
1827020078	20	19	60	13

Sensor mounting, Series CB1

- for series SN5-X

- to mount on cylinder TRB



Weight

See table below

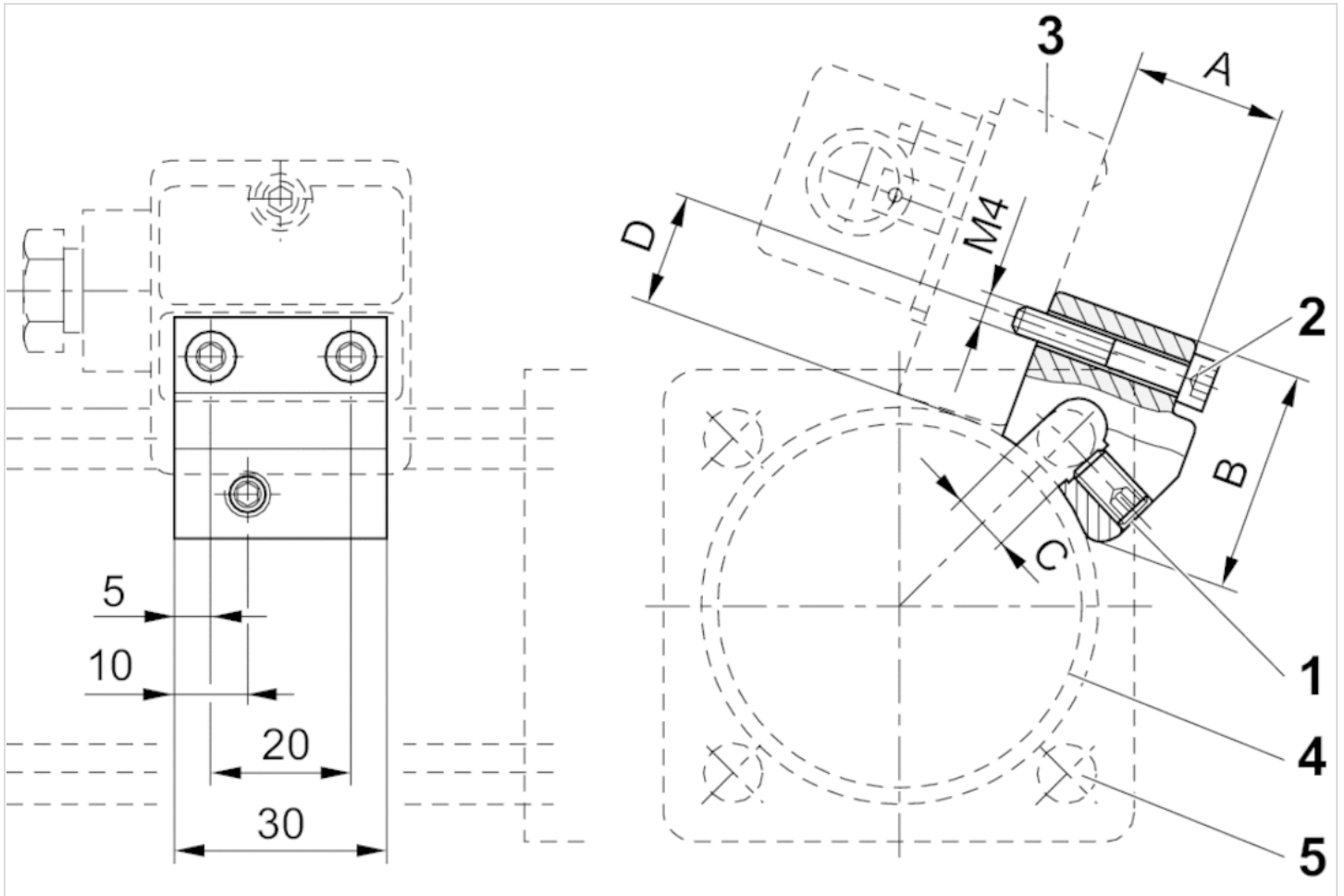
Technical data

Part No.	Cylinders Ø		for series	Weight
	min.	max.		
1827020056	32 mm	40 mm	SN5-X	0.03 kg
1827020057	50 mm	63 mm	SN5-X	0.035 kg
1827020058	80 mm	100 mm	SN5-X	0.4 kg

Technical information

Material	
	Aluminum

Dimensions



1) Clamping threaded pin 2) Mounting screw for sensor 3) Sensor 4) Cylinder profile 5) Tie rod

Dimensions

Part No.	A	B	C	D	SW
1827020056	19.5	30	6	15	3
1827020057	24.5	30	8	15	3
1827020058	29.5	31	10	15	3

Sensor mounting, Series CB1

- for series SN6

- to mount on cylinder TRB, C12P, CVI, 523



Weight

0.034 kg

Technical data

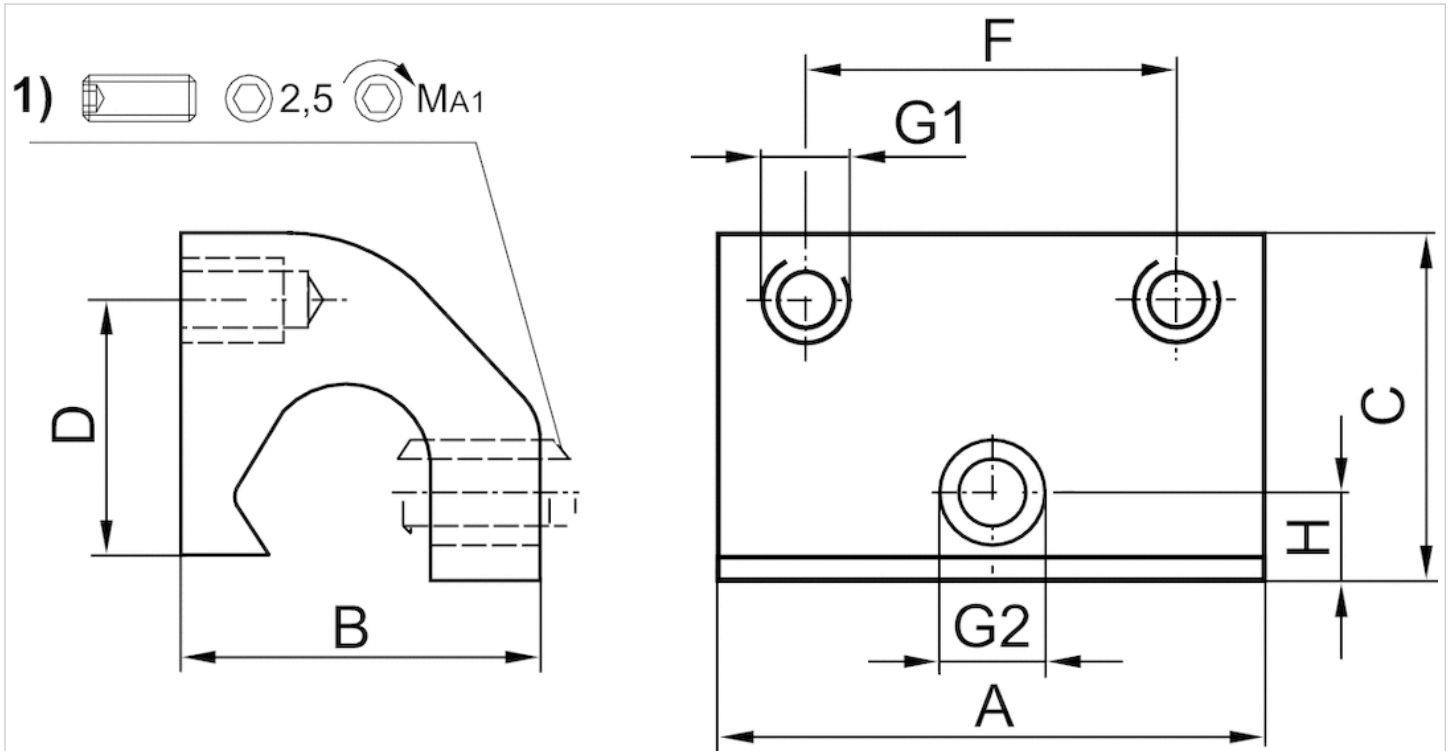
Part No.	Cylinders Ø		for series
	min.	max.	
3220643562	80 mm	125 mm	SN6
3220613562	32 mm	63 mm	SN6

Technical information

Material

Aluminum

Dimensions



1) Clamping threaded pin

Dimensions

Part No.	Cylinders Ø	A	B	C	D	F	G1	G2	H	MA1 [Nm]
3220643562	125 mm	35	22	21	12	23	M4	M5	5	1,8 +0,4
3220613562	63 mm	35	22	21	16	23	M4	M6	5	1,8 +0,4

Sensor mounting, Series CB1

- for series SN6

- to mount on cylinder TRB, CVI, 523



Weight

0.028 kg

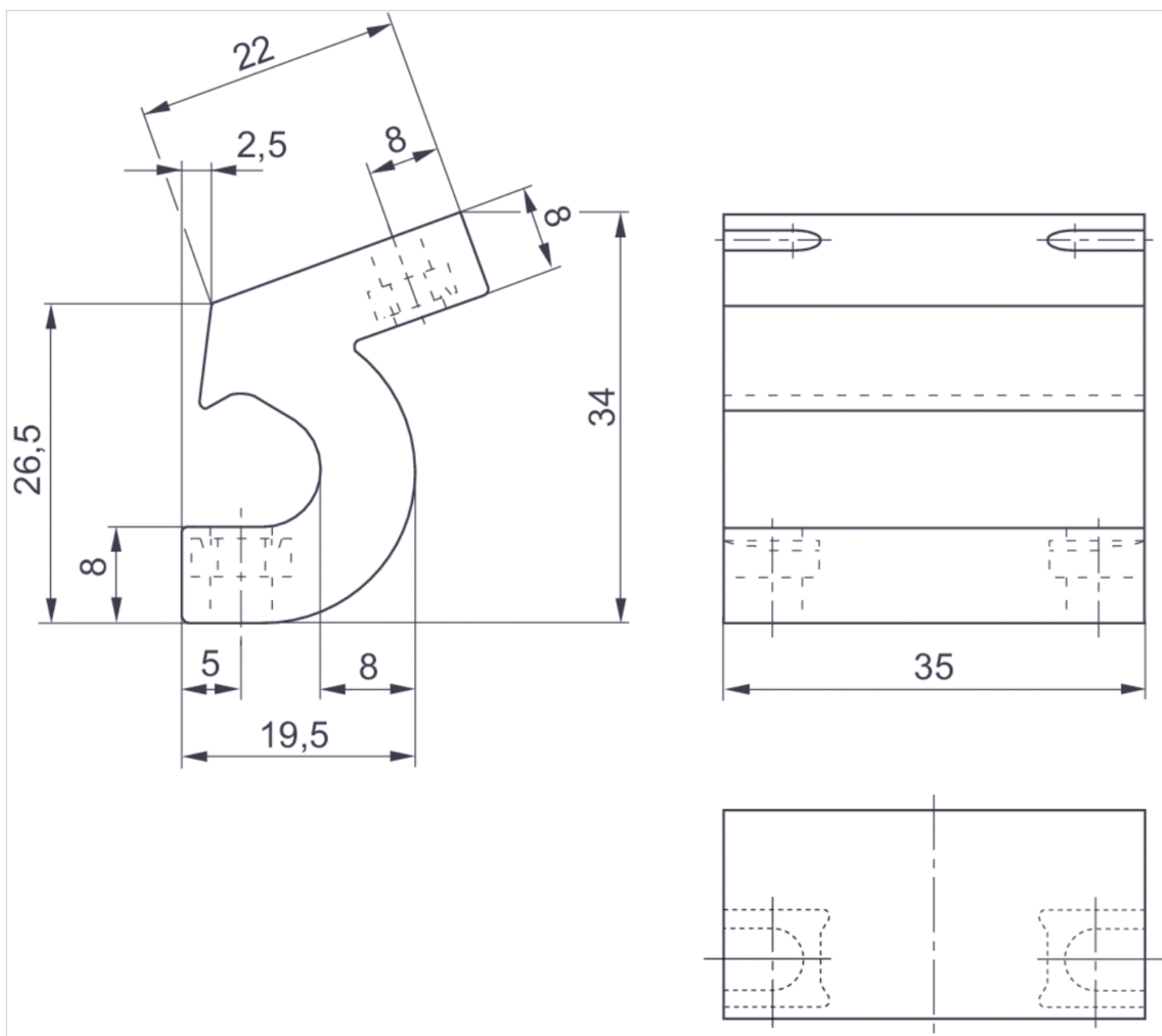
Technical data

Part No.	Cylinders Ø		for series
	min.	max.	
5230033502	32 mm	63 mm	SN6

Technical information

Material	
	Polyamide

Dimensions



Dimensions

Part No.	Cylinders Ø
5230033502	32 63 mm

Sensor mounting, Series CB1

- for series SP1

- to mount on cylinder TRB, TRR, MNI



Weight

0.015 kg

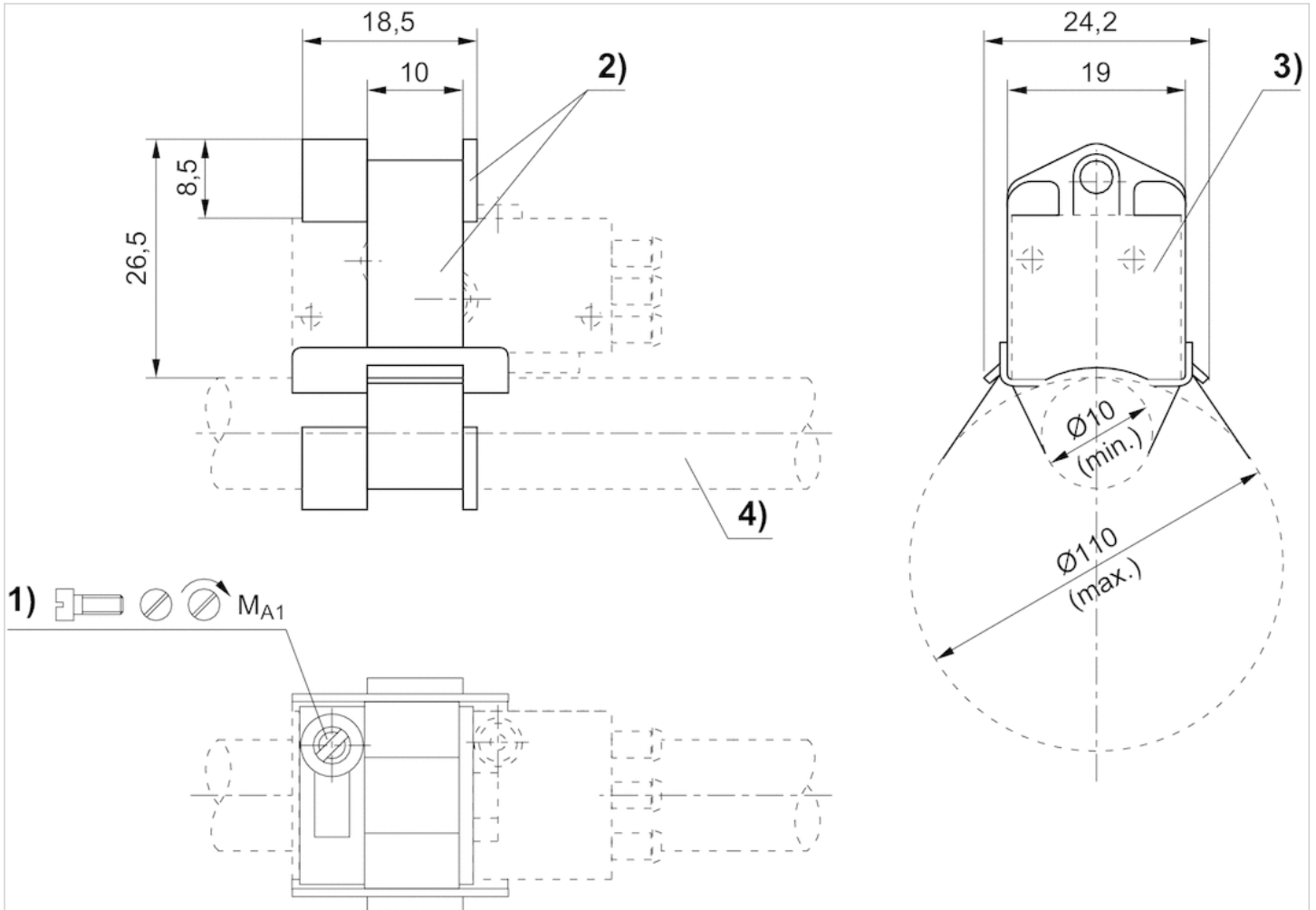
Technical data

Part No.	Cylinders Ø		for series
	min.	max.	
1821205002	10 mm	100 mm	SP1

Technical information

Material	
	Aluminum

Dimensions



1) Clamping screw 2) Tightening strap with bracket 3) Sensor 4) Cylinder pipe

Dimensions

Part No.	Cylinders Ø
1821205002	10 100 mm

Name plate

- Halogen-free
- Direct mounting for series ST4, ST6



Ambient temperature min./max. -40 ... 100 °C

Technical data

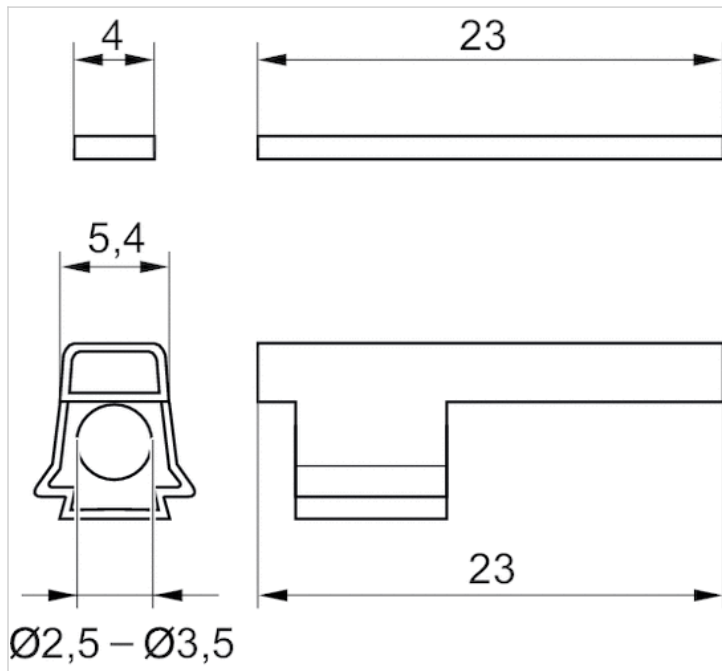
Part No.	for	Delivery unit
R412026278	ST4, ST6	10 piece

Scope of delivery: 10 marking sleeves and 10 marking signs, Cable not included in the scope of delivery

Technical information

Material	
Housing	Polycarbonate

Dimensions



Efficient pneumatic solutions, our program: cylinders and drives, valves and valve systems, air supply management



Visit us: [Emerson.com/Aventics](https://www.emerson.com/Aventics)

Your local contact: [Emerson.com/contactus](https://www.emerson.com/contactus)



Emerson.com



[Facebook.com/EmersonAutomationSolutions](https://www.facebook.com/EmersonAutomationSolutions)



[LinkedIn.com/company/Emerson-Automation-Solutions](https://www.linkedin.com/company/Emerson-Automation-Solutions)



[Twitter.com/EMR_Automation](https://twitter.com/EMR_Automation)

An example configuration is depicted on the title page. The delivered product may thus vary from that in the illustration. Subject to change. This Document, as well as the data, specifications and other information set forth in it, are the exclusive property of AVENTICS GmbH. It may not be reproduced or given to third parties without its consent. Only use the AVENTICS products shown in industrial applications. Read the product documentation completely and carefully before using the product. Observe the applicable regulations and laws of the respective country. When integrating the product into applications, note the system manufacturer's specifications for safe use of the product. The data specified only serve to describe the product. No statements concerning a certain condition or suitability for a certain application can be derived from our information. The information given does not release the user from the obligation of own judgment and verification. It must be remembered that the products are subject to a natural process of wear and aging.

The Emerson logo is a trademark and service mark of Emerson Electric Co. Brand logotype are registered trademarks of one of the Emerson family of companies. All other marks are the property of their respective owners. © 2017 Emerson Electric Co. All rights reserved.
2019-03



CONSIDER IT SOLVED™