

5/3-directional valve, Series 581, size 1

- ISO 5599-1
- ISO 1
- 5/3
- exhausted center
- $Q_n = 1100 \text{ l/min}$
- Compressed air connection output Base plate ISO 5599-1
- Electrical connection Plug, Form B, industry
- Manual override with detent



Type	Spool valve
Sealing principle	Soft sealing
Blocking principle	Single base plate principle
Connection type	Plate connection
Standards	ISO 5599-1, ISO 1
Working pressure min./max.	See table below
Control pressure min./max.	3 ... 10 bar
Ambient temperature min./max.	-15 ... 50 °C
Medium temperature min./max.	-15 ... 50 °C
Medium	Compressed air
Max. particle size	50 µm
Oil content of compressed air	0 ... 5 mg/m ³
Nominal flow Q_n	1100 l/min
Flow conductance C	4,3 l/(s*bar)
Protection class with connection	IP65
Duty cycle	100 %
Typ. switch-on time	15 ms
Typ. switch-off time	38 ms
Mounting screw	with hexagon socket
Mounting screw tightening torque	2 Nm
Weight	0,3 kg

Technical data

Part No.		MO		Operational voltage DC
5811520500			exhausted center	12 V
5811520200			exhausted center	-
5811520100			exhausted center	24 V
5811520600			exhausted center	48 V
5811520300			exhausted center	-
5811520400			exhausted center	-
5811520000			exhausted center	-
5811521500			exhausted center	12 V
5811521200			exhausted center	-
5811521100			exhausted center	24 V
5811521600			exhausted center	48 V
5811521300			exhausted center	-
5811521400			exhausted center	-
5811521000			exhausted center	-
5811522500			exhausted center	12 V
5811522200			exhausted center	-
5811522100			exhausted center	24 V
5811522600			exhausted center	48 V
5811522300			exhausted center	-
5811522400			exhausted center	-
5811522000			exhausted center	-
5811523500			exhausted center	12 V
5811523200			exhausted center	-
5811523100			exhausted center	24 V
5811523600			exhausted center	48 V
5811523300			exhausted center	-
5811523400			exhausted center	-
5811523000			exhausted center	-

Part No.	Operational voltage AC 50 Hz	Operational voltage AC 60 Hz	Voltage tolerance DC
5811520500	-	-	-10% / +10%
5811520200	24 V	-	-
5811520100	-	-	-10% / +10%
5811520600	-	-	-10% / +10%
5811520300	-	110 V	-
5811520400	230 V	-	-
5811520000	-	-	-
5811521500	-	-	-10% / +10%
5811521200	24 V	-	-
5811521100	-	-	-10% / +10%
5811521600	-	-	-10% / +10%
5811521300	-	110 V	-

Part No.	Operational voltage AC 50 Hz	Operational voltage AC 60 Hz	Voltage tolerance DC
5811521400	230 V	-	-
5811521000	-	-	-
5811522500	-	-	-10% / +10%
5811522200	24 V	-	-
5811522100	-	-	-10% / +10%
5811522600	-	-	-10% / +10%
5811522300	-	110 V	-
5811522400	230 V	-	-
5811522000	-	-	-
5811523500	-	-	-10% / +10%
5811523200	24 V	-	-
5811523100	-	-	-10% / +10%
5811523600	-	-	-10% / +10%
5811523300	-	110 V	-
5811523400	230 V	-	-
5811523000	-	-	-

Part No.	Voltage tolerance AC 50 Hz	Voltage tolerance AC 60 Hz	Power consumption DC	Holding power AC 50 Hz
5811520500	-	-	5 W	-
5811520200	-10% / +10%	-	-	8 VA
5811520100	-	-	5 W	-
5811520600	-	-	5 W	-
5811520300	-	-10% / +10%	-	-
5811520400	-10% / +10%	-	-	8 VA
5811520000	-	-	-	-
5811521500	-	-	5 W	-
5811521200	-10% / +10%	-	-	8 VA
5811521100	-	-	5 W	-
5811521600	-	-	5 W	-
5811521300	-	-10% / +10%	-	-
5811521400	-10% / +10%	-	-	8 VA
5811521000	-	-	-	-
5811522500	-	-	5 W	-
5811522200	-10% / +10%	-	-	8 VA
5811522100	-	-	5 W	-
5811522600	-	-	5 W	-
5811522300	-	-10% / +10%	-	-
5811522400	-10% / +10%	-	-	8 VA
5811522000	-	-	-	-
5811523500	-	-	5 W	-
5811523200	-10% / +10%	-	-	8 VA
5811523100	-	-	5 W	-
5811523600	-	-	5 W	-
5811523300	-	-10% / +10%	-	-
5811523400	-10% / +10%	-	-	8 VA
5811523000	-	-	-	-

Part No.	Holding power AC 60 Hz	Switch-on power AC 50 Hz	Switch-on power AC 60 Hz	Pilot
5811520500	-	-	-	Internal
5811520200	-	10 VA	-	Internal
5811520100	-	-	-	Internal
5811520600	-	-	-	Internal
5811520300	8 VA	-	10 VA	Internal
5811520400	-	10 VA	-	Internal
5811520000	-	-	-	Internal
5811521500	-	-	-	Internal
5811521200	-	10 VA	-	Internal
5811521100	-	-	-	Internal
5811521600	-	-	-	Internal
5811521300	8 VA	-	10 VA	Internal
5811521400	-	10 VA	-	Internal
5811521000	-	-	-	Internal
5811522500	-	-	-	External
5811522200	-	10 VA	-	External
5811522100	-	-	-	External
5811522600	-	-	-	External
5811522300	8 VA	-	10 VA	External
5811522400	-	10 VA	-	External
5811522000	-	-	-	External
5811523500	-	-	-	External
5811523200	-	10 VA	-	External
5811523100	-	-	-	External
5811523600	-	-	-	External
5811523300	8 VA	-	10 VA	External
5811523400	-	10 VA	-	External
5811523000	-	-	-	External

Part No.	Working pressure min./max.	Electrical connection Pilot valve
5811520500	3 ... 10 bar	Plug Form B, industry
5811520200	3 ... 10 bar	Plug Form B, industry
5811520100	3 ... 10 bar	Plug Form B, industry
5811520600	3 ... 10 bar	Plug Form B, industry
5811520300	3 ... 10 bar	Plug Form B, industry
5811520400	3 ... 10 bar	Plug Form B, industry
5811520000	3 ... 10 bar	Plug Form B, industry
5811521500	3 ... 10 bar	Plug Form B, industry
5811521200	3 ... 10 bar	Plug Form B, industry
5811521100	3 ... 10 bar	Plug Form B, industry
5811521600	3 ... 10 bar	Plug Form B, industry
5811521300	3 ... 10 bar	Plug Form B, industry
5811521400	3 ... 10 bar	Plug Form B, industry
5811521000	3 ... 10 bar	Plug Form B, industry
5811522500	-0,95 ... 10 bar	Plug Form B, industry
5811522200	-0,95 ... 10 bar	Plug Form B, industry

Part No.	Working pressure min./max.	Electrical connection Pilot valve
5811522100	-0,95 ... 10 bar	Plug Form B, industry
5811522600	-0,95 ... 10 bar	Plug Form B, industry
5811522300	-0,95 ... 10 bar	Plug Form B, industry
5811522400	-0,95 ... 10 bar	Plug Form B, industry
5811522000	-0,95 ... 10 bar	Plug Form B, industry
5811523500	-0,95 ... 10 bar	Plug Form B, industry
5811523200	-0,95 ... 10 bar	Plug Form B, industry
5811523100	-0,95 ... 10 bar	Plug Form B, industry
5811523600	-0,95 ... 10 bar	Plug Form B, industry
5811523300	-0,95 ... 10 bar	Plug Form B, industry
5811523400	-0,95 ... 10 bar	Plug Form B, industry
5811523000	-0,95 ... 10 bar	Plug Form B, industry

Part No.	basic valve with electrical connector	Throttle
5811520500	-	-
5811520200	-	-
5811520100	-	-
5811520600	-	-
5811520300	-	-
5811520400	-	-
5811520000	Basic valve without coil	-
5811521500	-	with throttle
5811521200	-	with throttle
5811521100	-	with throttle
5811521600	-	with throttle
5811521300	-	with throttle
5811521400	-	with throttle
5811521000	Basic valve without coil	with throttle
5811522500	-	-
5811522200	-	-
5811522100	-	-
5811522600	-	-
5811522300	-	-
5811522400	-	-
5811522000	Basic valve without coil	-
5811523500	-	with throttle
5811523200	-	with throttle
5811523100	-	with throttle
5811523600	-	with throttle
5811523300	-	with throttle
5811523400	-	with throttle
5811523000	Basic valve without coil	with throttle

Nominal flow Qn at 6 bar and $\Delta p = 1$ bar, MO = Manual override

Technical information

The min. control pressure must be adhered to, since otherwise faulty switching and valve failure may result!

The pressure dew point must be at least 15 °C under ambient and medium temperature and may not exceed 3 °C .

The oil content of compressed air must remain constant during the life cycle.

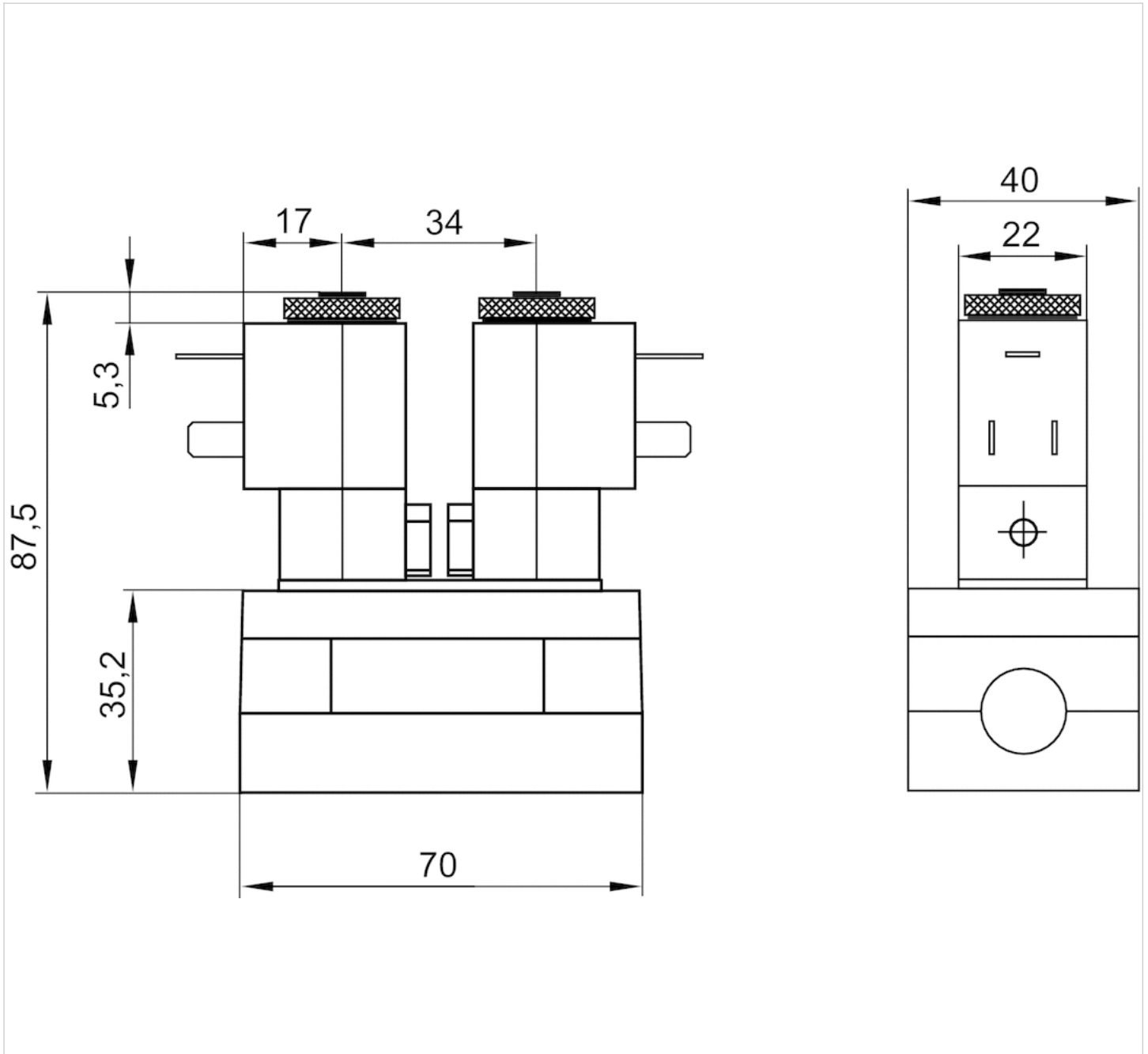
Use only the approved oils from AVENTICS. Further information can be found in the “Technical information” document (available in the MediaCentre).

Technical information

Housing	Polyamide fiber-glass reinforced
Seals	Acrylonitrile butadiene rubber

Dimensions

Dimensions



The pilot valves can be loosened and turned through 180°.