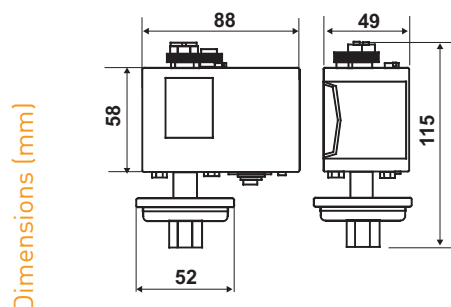


B12AN - B12BN

Vacuum pressure switches up to - 0.82 bar

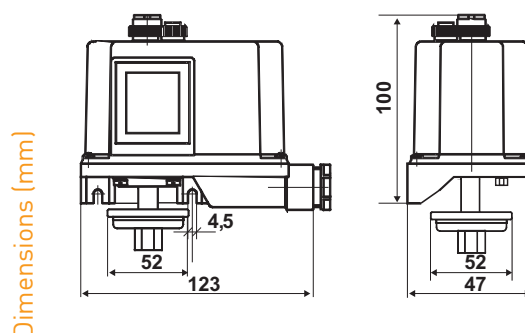
Pressure switches up to 2 bar

To adjust vacuum values in the pumps (B12AN) or to control pressure values of tanks or steam generators where it is required a low differential (B12BN).



| | Range bar | Differential* bar | Sensitive element max. pressure bar | Connection G 1/4 | Protection degree | Availability |
|--------|--------------|----------------------|---|---------------------|----------------------|--------------|
| B12AN | -0,82 ÷ 0 | 0,1 fixed | 2,5 | female | IP40 | in stock |
| B12AN4 | -0,82 ÷ 0 | 0,1 fixed | 2,5 | male | IP40 | on request |
| B12BN | 0,2 ÷ 2 | 0,1 ÷ 0,5 | 4 | female | IP40 | in stock |

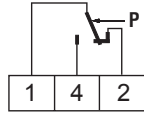
WATERPROOF CASING EXECUTION



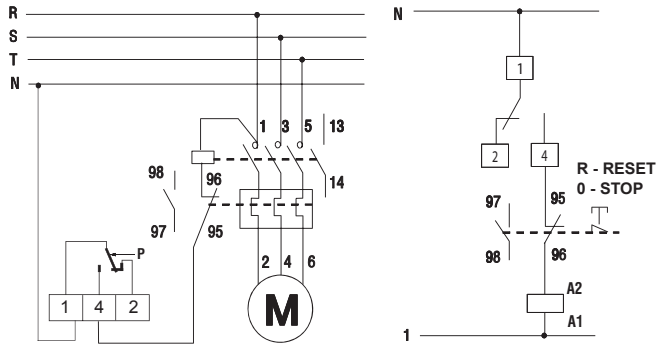
| | Range bar | Differential* bar | Sensitive element max. pressure bar | Connection G 1/4 | Protection degree | Availability |
|--------|--------------|----------------------|---|---------------------|----------------------|--------------|
| B12ANY | -0,82 ÷ 0 | 0,1 fixed | 2,5 | female | IP65 | in stock |
| B12BNY | 0,2 ÷ 2 | 0,1 ÷ 0,5 | 4 | female | IP65 | in stock |

ELECTRICAL FEATURES

Snap action SPDT microswitch, contacts in AgCdO.



EXAMPLE OF ELECTRICAL WIRING



| | | |
|--|----------------------|-----------|
| Nominal insulation tension | U _i 415V~ | |
| Continuous duty nominal current | I _{th} 16A | |
| Operating nominal current I _e | 220V- | 380/415V~ |
| Resistive load | AC-1 | - 16A |
| Inductive load | AC-3 | - 6A |
| Continuous current | DC-13 | 0,2A |

HOMOLOGATION AND STANDARDS

Complies with EN 60947-1 and 60947-5-1 standards.

CE 0497

INSTALLATION

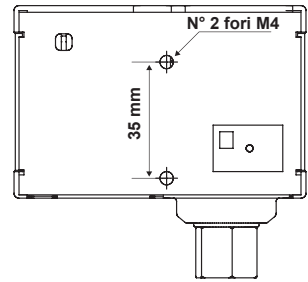
Direct installation on the pipe.

Pressure element connection G 1/4.

In case of fluid temperatures higher than the maximum allowed, connect the pressure switch to the pipe by inserting a metallic spiral between the pressure switch and the pipe to facilitate heat dispersion.

Possibility of mounting on metallic clamp, except for the waterproof casing versions.

MOUNTING MODEL



OPERATION

When pressure increases: 1-2 opens, 1-4 closes.

In the pressure switch with blocking and manual reset at maximum pressure, the reset takes place when the pressure is below the value set on differential.

FEATURES

Sensitive element with stainless steel membrane, laser welded.

Metallic frame.

Cover in shockproof thermoplastic material.

Output connections with PVC cable gland.

Female connection G 1/4 (17 mm key).

Maximum temperature of the controlled fluid: 120 °C.

Pressure switch body admissible temperature: -35 ÷ 60°C.

Storage and transport temperature: -35 ÷ 60°C.

Unit weight: 0,43 Kg B12AN.

Unit weight: 0,44 Kg B12BN.

ACCESSORIES



303298LA

G1/2 cable gland in V0 self-extinguishing, shockproof thermoplastic material for output connections.



2593367

Protection casing IP44.