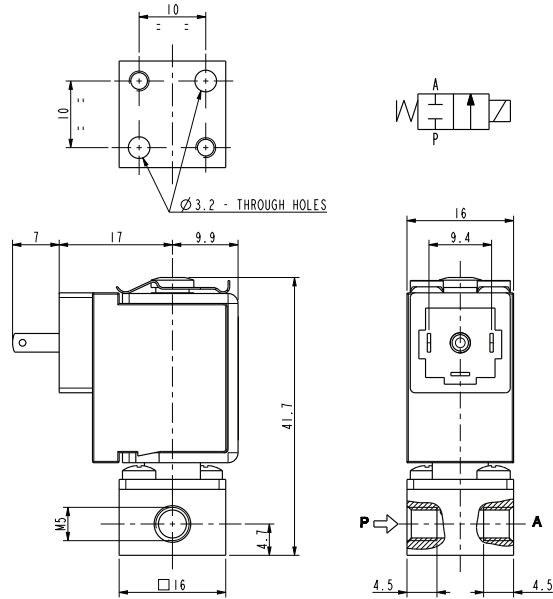


# ASCO™ MICRO SOLENOID VALVE

## 2/2 NORMALLY CLOSED – DIRECT ACTING - M5

**SERIES**  
**V165-V**



### General Features

Direct acting micro solenoid valve; minimum overall dimensions.

Quick response time and high number of cycles.

Suitable to shut off liquid and gaseous fluids (verify the compatibility of fluid with materials in contact).

Technical Features	
Maximum allowable pressure (PS)	16 bar
Opening time	from ~5ms to ~10ms
Closing time	from ~5ms to ~10ms
Fluid temperature	0°C +130°C
Max viscosity	3°E (~22 cStokes or mm <sup>2</sup> /s)

Materials in Contact with Fluid	
Body	See notes
Sealing	FPM
Internal components	Stainless steel
Seat	See notes
Core tube	Stainless steel

Coil	
Continuous Duty	ED 100%
Encapsulation material	PA (Polyamide) fiberglass reinforced
Insulation class	F (155°C)
Ambient temperature	-10°C +60°C
Electric connections	DIN 46340
Protection degree	IP 65 (EN 60529) with micro plug connector
Voltages	DC 12-24V (+10% -5%) (Other voltages on request)

Port size ISO UNI 4534	Orifice size (mm)	Differential pressure (bar)	Kv (m <sup>3</sup> /h)	Series and type		Power absorption			Sealings	Notes	Weight (kg)																
				Valve	Coil	AC (VA)		DC (W)																			
						Inrush	Holding																				
M5	1,1	0	0,04	V165V05	ZE30C	-	-	-	FPM	1 - 2	0,060																
	1,6											6	6	0,06	-	-	-	-	4								
	1,8																			4	4	0,07	-	-	-	-	3
				V165V01	ZE30A							1 - 2															
				V165V04	ZE30C																						

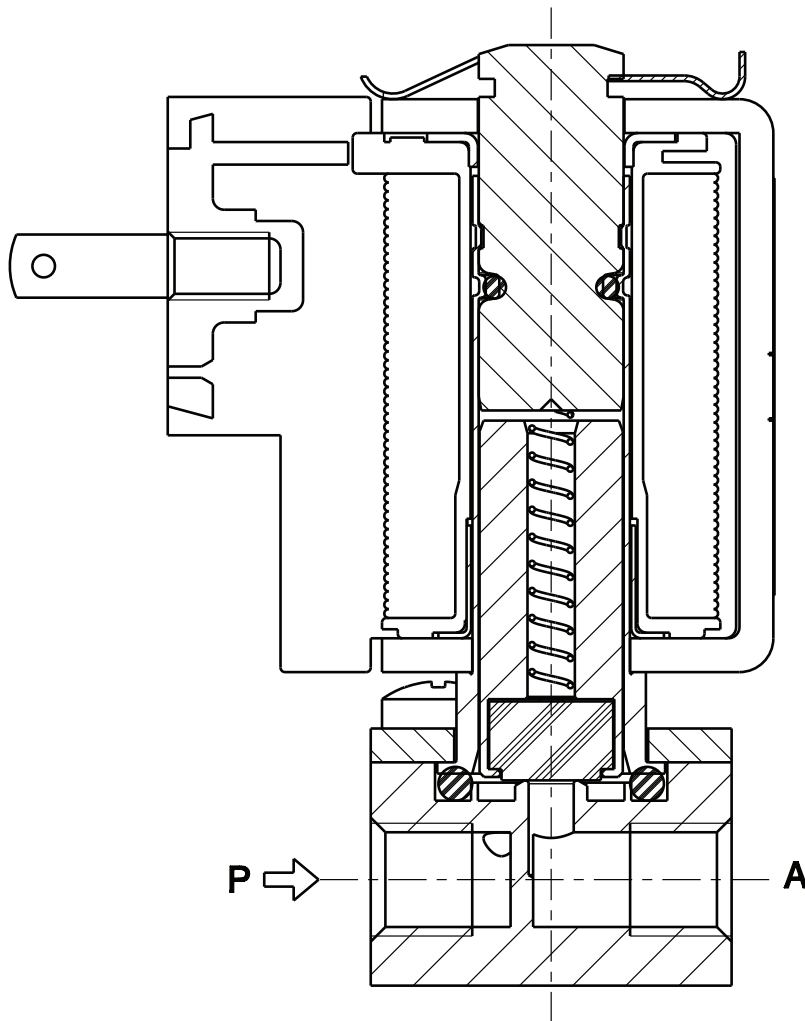
### Notes

- These micro-solenoid valves are not suitable for stagnating media subject to vaporization which deposit solid, calcareous, incrusting residues or similar.
- Seal: FPM = Fluoro-carbon elastomer
- 1 - Solenoid valves with body, seat, and bonnet in chemically nickel coated brass (Ni-P).
- 2 - Solenoid valves with core coated by PTFE (polytetrafluorethylene).
- 3 - Solenoid valves with body, seat and flange in brass.
- 4 - Solenoid valves with body and seat in stainless steel; bonnet in chemically nickel coated brass (Ni-P).

**SERIES**  
**V165-V**

**ASCO™ MICRO SOLENOID VALVE**  
2/2 NORMALLY CLOSED – DIRECT ACTING - M5

Spare Parts



**Installation**

- Solenoid valve can be mounted in any position; vertical with coil upwards preferred.

THE VALIDITY OF REPORTED DATA IS REFERRED TO THE DATE OF ISSUE. POSSIBLE UPDATES ARE AVAILABLE ON REQUEST