

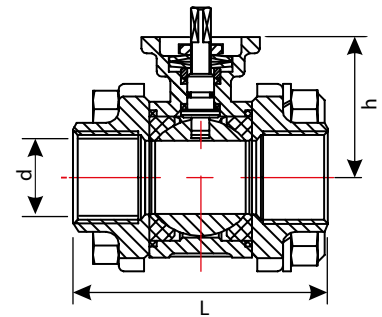
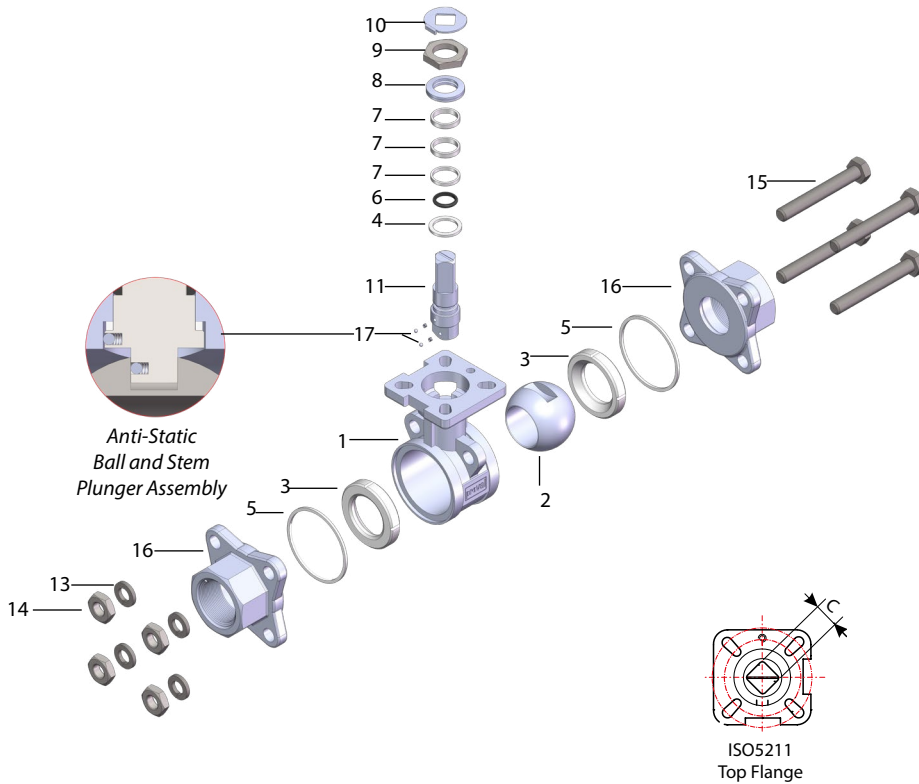


V203 Series 3-Piece, ISO5211 Direct Mount Ball Valves

Anti-Static Design
 ISO5211 Mounting Pad
 DIN3202-M3 Face to Face



PN63 Threaded Ball Valve with Top Flange



Material List

No	Part Name	Material	Qty	No	Part Name	Material	Qty	No	Part Name	Material	Qty
1	Body	AISI316	1	7	V-Ring	PTFE	1	13	Spring Washer	AISI304	4 (Max 12)
2	Ball	AISI316	1	8	Thrust Washer	AISI304	1	14	Stud Nut	AISI304	4 (Max 12)
3	Ball Seat	Glass Fiber Reinforced PTFE* Graphite Reinforced PTFE	2	9	Gland Nut	AISI304	1	15	Stud Bolt	AISI304	4 (Max 6)
4	Washer	PTFE	1	10	Locking Washer	AISI304	1	16	Cap	AISI316	2
5	Body Seal	PTFE	2	11	Stem	AISI316	1	17	Anti-Static Device	AISI316	2
6	Stem O-Ring	Viton	1	12	Belleville Washer	AISI301	2				

*Standard construction material for ball seats.

Dimensions(mm)

Size (DN)	d	L	h	C	ISO5211 Top Flange	Torque (N.m)	Kv (m ³ /h)	Net Unit Weight (kg)
1/4"	11	50	43	9	F03	4	8,6	0,46
3/8"	12,5	60	43	9	F03	4	16	0,48
1/2"	15	75	48	9	F03	5	35	0,51
3/4"	20	80	53	11	F04/F05	8	46	0,89
1"	25	90	58,5	11	F04/F05	10	72	1,27
1-1/4"	32	110	71	14	F05/F07	14	105	2,04
1-1/2"	40	120	76,5	14	F05/F07	18	170	3,00
2"	50	140	85	14	F05/F07	25	275	3,80
2-1/2"	65	185	100	17	F07/F10	48	507	7,80
3"	80	205	112,5	17	F07/F10	75	905	12,40
4"	100	240	125,5	17	F07/F10	110	1414	20,80



Pressure-Temperature Diagram

