

FEATURES

- Two way shut-off valves for the control of cold and hot water
- Zero bar minimum operating pressure
- Valves are designed to reduce waterhammer
- Self-cleaning device located in the bleed orifice to guarantee an optimal performance
- The solenoid valves satisfy all relevant EU directives

GENERAL

Differential pressure 0 to 10 bar [1 bar = 100 kPa]
Maximum viscosity 40 cSt (mm²/s)

| fluids (*) | temperature range (TS) | seal materials (*) |
|------------|------------------------|--------------------|
| water | -20°C to +85°C | NBR (nitrile) |

CONSTRUCTION

Anti-waterhammer test EN 60730-2-8 (CENELEC)
 FCI-82-1 (Fluid Controls Institute)

MATERIALS IN CONTACT WITH FLUID

(*) Ensure that the compatibility of the fluids in contact with the materials is verified

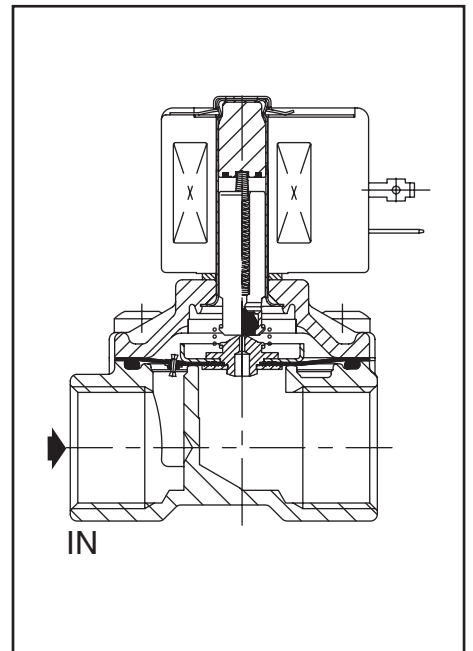
Body Brass
Internal parts Stainless steel
Springs Stainless steel
Seals, diaphragm and disc NBR
Shading coil Copper

ELECTRICAL CHARACTERISTICS

Coil insulation class F
Connector Spade plug (cable Ø 6-10 mm)
Connector specification ISO 4400 / EN 175301-803, form A
Electrical safety IEC 335
Electrical enclosure protection Moulded IP65 (EN 60529)
Standard voltages DC (=) : 24V - 48V
 AC (~) : 24V - 48V - 115V - 230V / 50 Hz
 (Other voltages and 60 Hz on request)

| prefix option | power ratings | | | | operator ambient temperature range (TS) (C°) | replacement coil | | type ⁽¹⁾ |
|---------------|---------------|-----------|------------|----------|--|------------------|------------|---------------------|
| | inrush ~ | holding ~ | hot/cold = | | | ~ | = | |
| | (VA) | (VA) | (W) | (W) | | 230 V/50 Hz | 24 V DC | |
| SC | 34 | 15,6 | 6 | - | -20 to +75 | 400325-117 | - | 01 |
| | 30 | 22,5 | 9 | 9,5/15,3 | -20 to +50 | 400325-217 | 400325-242 | |

⁽¹⁾ Refer to the dimensional drawings on the following page.



SPECIFICATIONS

| pipe size | orifice size | flow coefficient Kv | | operating pressure differential (bar) | | | | power coil (W) | | catalogue number | options | | |
|-----------------------------|--------------|---------------------|---------|---------------------------------------|-----------|----|-----------|----------------|------------|------------------|---------|---|---|
| | | | | min. | max. (PS) | | water (*) | | | | EPDM | - | - |
| | | | | | ~ | = | | | | | | | |
| G | (mm) | (m ³ /h) | (l/min) | | | | | | | | | | |
| NC - Normally closed | | | | | | | | | | | | | |
| 3/8 | 12,5 | 2,1 | 35 | 0 | 10 | 10 | 6 | 15,3 | SCG238A044 | E | - | - | |
| 1/2 | 12,5 | 2,1 | 35 | 0 | 10 | 10 | 6 | 15,3 | SCG238A046 | E | - | - | |
| 1/2 | 19 | 4,2 | 70 | 0 | 10 | 10 | 6 | 15,3 | SCG238A047 | E | - | - | |
| 3/4 | 19 | 4,5 | 75 | 0 | 10 | 10 | 6 | 15,3 | SCG238A048 | E | - | - | |
| 3/4 | 25 | 10 | 166 | 0 | 10 | 10 | 9 | 15,3 | SCG238A049 | - | - | - | |
| 1 | 25 | 10 | 166 | 0 | 10 | 10 | 9 | 15,3 | SCG238A050 | - | - | - | |

OPTIONS

- Valves can also be supplied with EPDM (ethylene-propylene) seals and discs. Use the appropriate optional suffix letter for identification
- Explosionproof enclosures for use in zones 1/21-2/22, categories 2-3 to ATEX Directive 2014/34/EU (see "Explosionproof solenoids" section)
- WRAS approval
- Other pipe connections are available on request
- Plug with visual indication and peak voltage suppression or with cable length of 2 m (see Solenoids, Coils & Accessories section)

INSTALLATION

- The solenoid valves can be mounted in any position without affecting operation
- Threaded pipe connection is standard: G = G (ISO 228/1)
- Installation/maintenance instructions are included with each valve

SPARE PARTS KIT

| catalogue number | spare parts kit no. | |
|--------------------|---------------------|----------------|
| | ~ | = |
| SCG238A044/046 | C132486 | C132487 |
| SCG238A045/047/048 | C132488 | C132489 |
| SCG238A049/050 | C132490 | C132491 |

ORDERING EXAMPLES:

| | | | | | |
|----|---|-----|---|-----|----------------|
| SC | G | 238 | A | 044 | 230V / 50 Hz |
| SC | G | 238 | A | 046 | E 115V / 50 Hz |
| SC | G | 238 | A | 049 | 24V / DC |
| SC | G | 238 | A | 050 | 48V / 50 Hz |

prefix: SC, pipe thread: G, basic number: 238, suffix: A, voltage: 044, 046, 049, 050, 046 E

ORDERING EXAMPLES KITS:

| | |
|------------------------|---|
| C132486 ⁽¹⁾ | E |
| C132489 | |
| C132490 | |

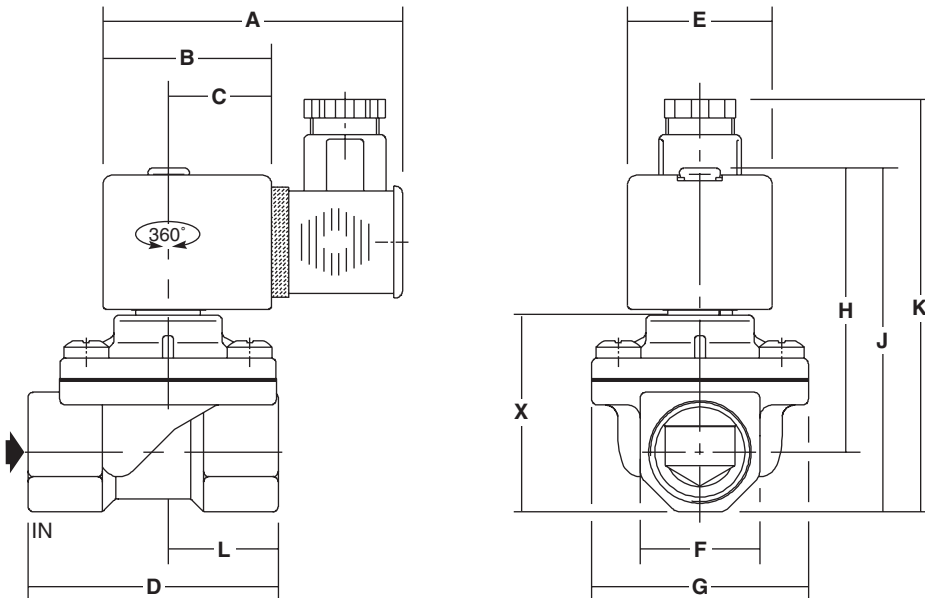
basic number: C132486, C132489, C132490, suffix: E

DIMENSIONS (mm), WEIGHT (kg)



TYPE 01

Prefix "SC" Solenoid
Epoxy moulded
IEC 335 / ISO 4400
IP65



| type | prefix option | catalogue number | A | B | C | D | E | F | G | H | J | K | L | X | weight ⁽¹⁾ |
|------|---------------|------------------|----|----|------|----|----|----|----|----|-----|-----|------|----|-----------------------|
| 01 | SC | SCG238A044 | 80 | 45 | 27,5 | 52 | 39 | 27 | 37 | 72 | 85 | 104 | 23 | 40 | 0,55 |
| | | SCG238A046 | 80 | 45 | 27,5 | 52 | 39 | 27 | 37 | 72 | 85 | 104 | 23 | 40 | 0,50 |
| | | SCG238A047 | 80 | 45 | 27,5 | 65 | 39 | 27 | 58 | 74 | 87 | 106 | 29,5 | 42 | 0,75 |
| | | SCG238A048 | 80 | 45 | 27,5 | 67 | 39 | 32 | 58 | 76 | 92 | 111 | 29,5 | 47 | 0,70 |
| | | SCG238A049 | 80 | 45 | 27,5 | 86 | 39 | 41 | 73 | 92 | 112 | 131 | 37 | 67 | 1,30 |
| | | SCG238A050 | 80 | 45 | 27,5 | 86 | 39 | 41 | 73 | 92 | 112 | 131 | 37 | 67 | 1,20 |

⁽¹⁾ Incl. coil(s) and connector(s).