

Coils, Series CO1



AVENTICS™ Coils, Series CO1

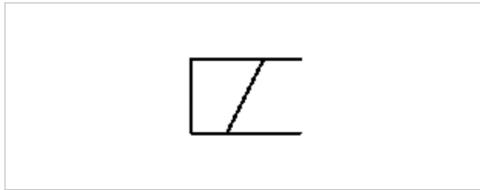


Coil, Series C01

- Form C, coil kit
- Coil width 15 mm
- Power consumption DC 2 W
- Holding power AC 1.6 VA
- Switch-on power AC 2.2 VA



| | |
|---|-----------------|
| Connector standard | ISO 15217 |
| electrical connections | Plug, 3-pin |
| Ambient temperature min./max. | -10 ... 50 °C |
| Protection class With valve plug connector/plug | IP65 |
| Duty cycle ED | 100 % |
| Weight | See table below |



Technical data

| Part No. | Operational voltage | Operational voltage | Operational voltage |
|------------|---------------------|---------------------|---------------------|
| | DC | AC 50 Hz | AC 60 Hz |
| R422101598 | - | 110 V | 110 V |
| R422101599 | - | 230 V | 230 V |
| R422101600 | 24 V | - | - |
| R422101601 | - | 24 V | 24 V |
| R422101602 | 12 V | - | - |

| Part No. | Voltage tolerance | Voltage tolerance | Voltage tolerance | Power consumption |
|------------|-------------------|-------------------|-------------------|-------------------|
| | DC | AC 50 Hz | AC 60 Hz | DC |
| R422101598 | - | -10% / +10% | -10% / +10% | - |
| R422101599 | - | -10% / +10% | -10% / +10% | - |
| R422101600 | -10% / +10% | - | - | 2 W |
| R422101601 | - | -10% / +10% | -10% / +10% | - |
| R422101602 | -10% / +10% | - | - | 2 W |

| Part No. | Holding power | Holding power | Switch-on power | Switch-on power | Weight | |
|------------|---------------|---------------|-----------------|-----------------|----------|----|
| | AC 50 Hz | AC 60 Hz | AC 50 Hz | AC 60 Hz | | |
| R422101598 | 1.6 VA | 1.4 VA | 2.2 VA | 2 VA | 0.023 kg | 1) |
| R422101599 | 1.6 VA | 1.4 VA | 2.2 VA | 2 VA | 0.022 kg | 1) |
| R422101600 | - | - | - | - | 0.024 kg | - |
| R422101601 | 1.6 VA | 1.4 VA | 2.2 VA | 2 VA | 0.023 kg | 1) |

| Part No. | Holding power | Holding power | Switch-on power | Switch-on power | Weight | |
|------------|---------------|---------------|-----------------|-----------------|----------|---|
| | AC 50 Hz | AC 60 Hz | AC 50 Hz | AC 60 Hz | | |
| R422101602 | - | - | - | - | 0.024 kg | - |

1) Can only be combined with TC series base valves and TC series valves with alternating voltage (AC).

Technical information

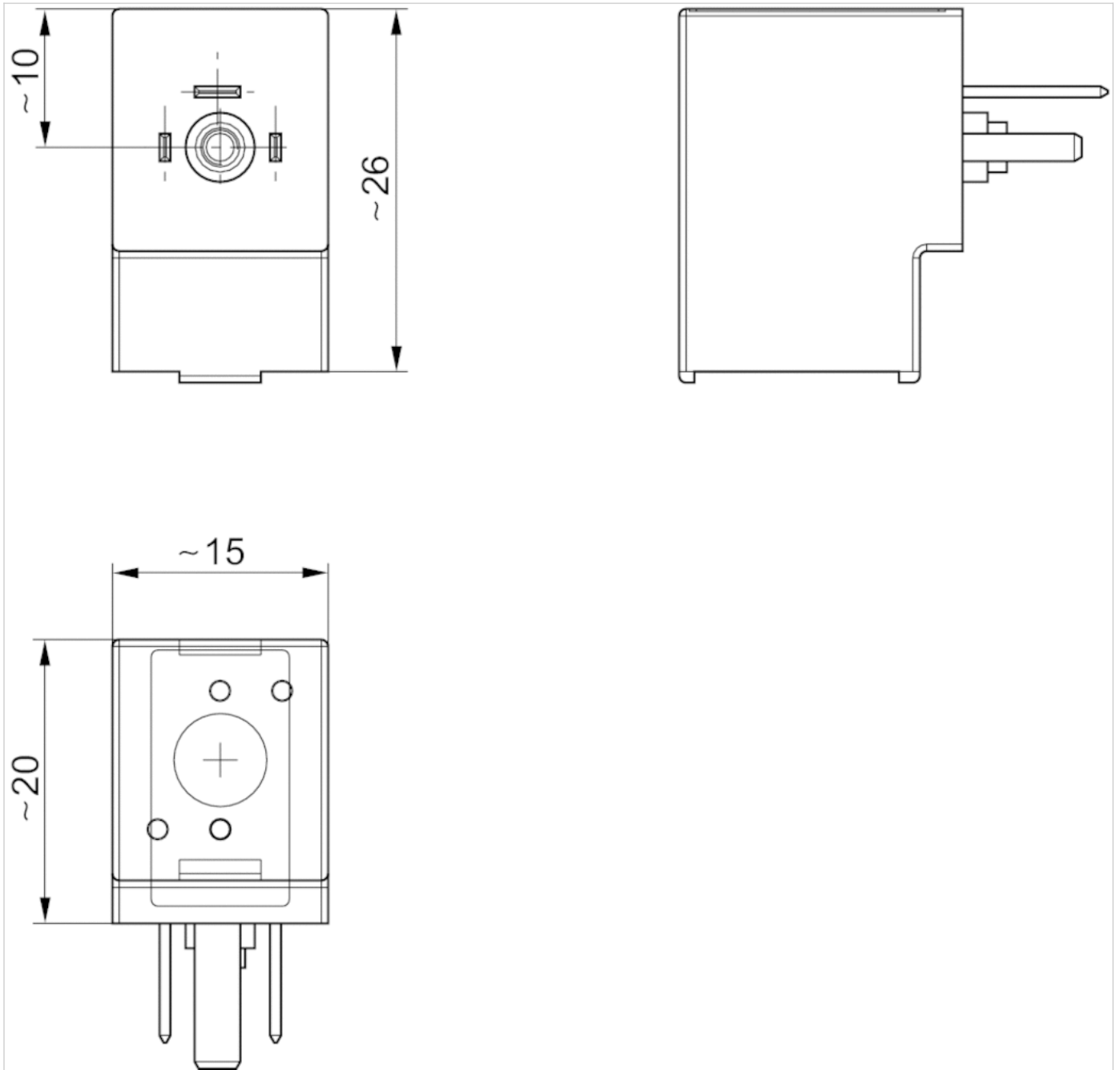
Please note that the coils are only compatible with TC series valves that were produced starting in 2011.

Technical information

| Material | |
|----------|-----------|
| Housing | Polyamide |

Dimensions

Dimensions

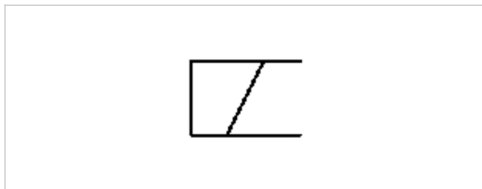


Coil, Series C01

- M8, coil kit
- Coil width 15 mm
- Power consumption DC 2.2 W



| | |
|---|------------------|
| Connector standard | DIN EN 60947-5-2 |
| electrical connections | See table below |
| Ambient temperature min./max. | -10 ... 50 °C |
| Protection class acc. to DIN EN 61140 | Class III |
| Electrically | |
| Protection class With valve plug connector/plug | IP65 |
| Duty cycle ED | 100 % |
| LED status display | Yellow |
| Weight | 0.025 kg |



Technical data

| Part No. | electrical connections | Operational voltage | Voltage tolerance |
|------------|------------------------|---------------------|-------------------|
| | | DC | DC |
| R422101603 | Plug, M8x1, 4-pin | 24 V | -10% / +10% |
| R422101604 | Plug, M8x1, 3-pin | 24 V | -10% / +10% |

| Part No. | Power consumption |
|------------|-------------------|
| | DC |
| R422101603 | 2.2 W |
| R422101604 | 2.2 W |

Technical information

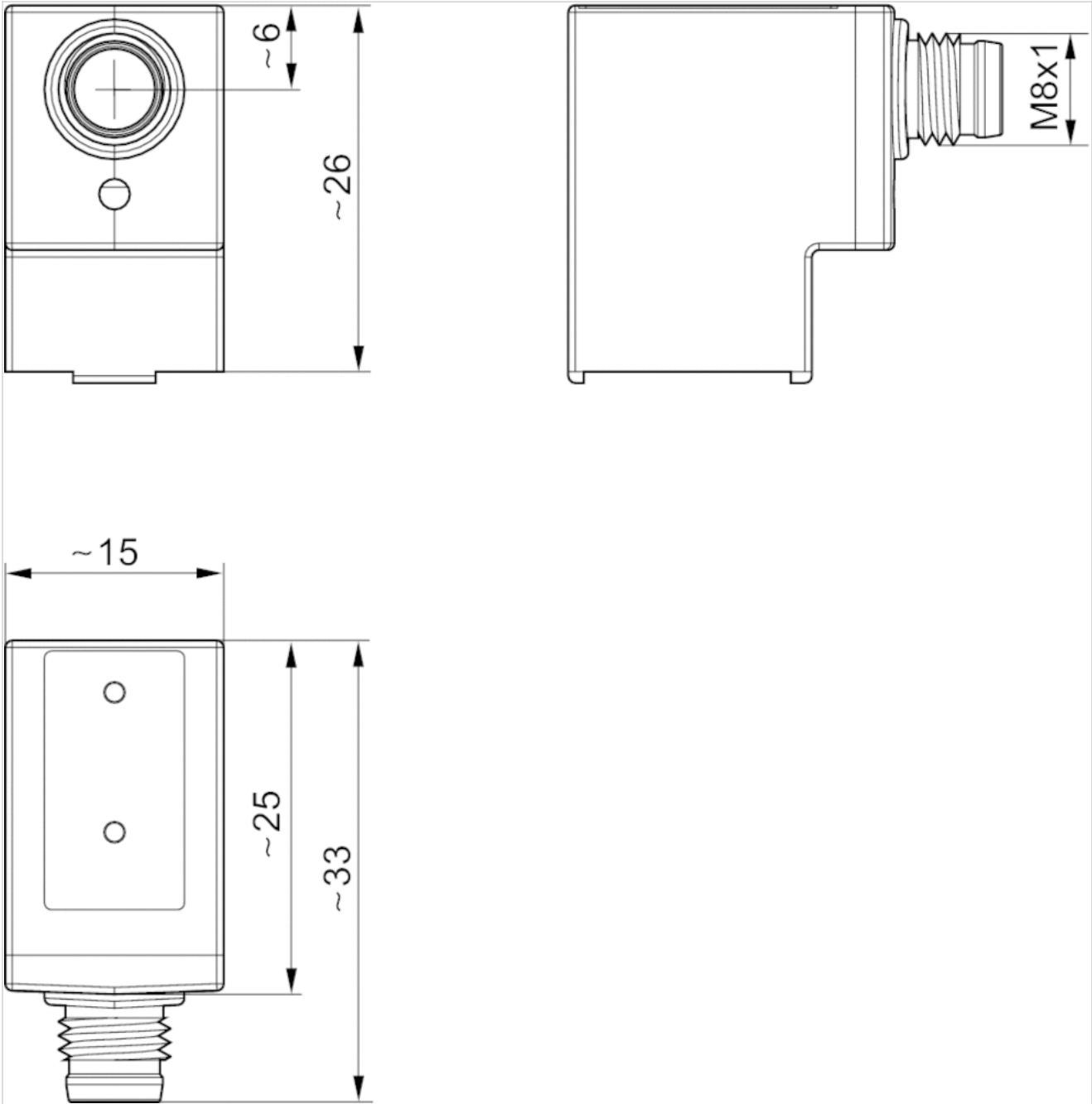
Please note that the coils are only compatible with TC series valves that were produced starting in 2011.

Technical information

| Material | |
|----------|-----------|
| Housing | Polyamide |

Dimensions

Dimensions

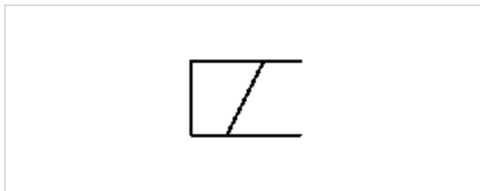


Coil, Series C01

- form B
- Coil width 22 mm
- Power consumption DC 2.6-5.9 W
- Holding power AC 7.7-9.7 VA
- Switch-on power AC 10.5-12.6 VA



| | |
|---|-----------------------|
| Connector standard | EN 175301-803, form B |
| electrical connections | Plug, 3-pin |
| Ambient temperature min./max. | 50 °C |
| Protection class With valve plug connector/plug | IP65 |
| Duty cycle ED | 100 % |
| Weight | 0.07 kg |



Technical data

| Part No. | Operational voltage | Operational voltage | Operational voltage |
|------------|---------------------|---------------------|---------------------|
| | DC | AC 50 Hz | AC 60 Hz |
| 1824210245 | 24 V | - | - |
| 1824210239 | 12 V | 24 V | 24 V |
| 1824210243 | 24 V | 48 V | 48 V |
| 1824210241 | 48 V | - | - |
| 1824210237 | 60 V | 110 V | 110 V |
| 1824210235 | 110 V | 220 V | 230 V |

| Part No. | Voltage tolerance | Voltage tolerance | Voltage tolerance | Power consumption |
|------------|-------------------|-------------------|-------------------|-------------------|
| | DC | AC 50 Hz | AC 60 Hz | DC |
| 1824210245 | -10% / +10% | -10% / +10% | -10% / +10% | 2.6 W |
| 1824210239 | -10% / +10% | -10% / +10% | -10% / +10% | 5.5 W |
| 1824210243 | -10% / +10% | -10% / +10% | -10% / +10% | 4.8 W |
| 1824210241 | -10% / +10% | -10% / +10% | -10% / +10% | 5 W |
| 1824210237 | -10% / +10% | -10% / +10% | -10% / +10% | 5.9 W |
| 1824210235 | -10% / +10% | -10% / +10% | -10% / +10% | 4.9 W |

| Part No. | Holding power | Holding power | Switch-on power | Switch-on power |
|------------|---------------|---------------|-----------------|-----------------|
| | AC 50 Hz | AC 60 Hz | AC 50 Hz | AC 60 Hz |
| 1824210245 | - | - | - | - |
| 1824210239 | 8.9 VA | 7.3 VA | 12 VA | 9.9 VA |

| Part No. | Holding power | Holding power | Switch-on power | Switch-on power |
|------------|---------------|---------------|-----------------|-----------------|
| | AC 50 Hz | AC 60 Hz | AC 50 Hz | AC 60 Hz |
| 1824210243 | 7.7 VA | 6.2 VA | 10.5 VA | 9.4 VA |
| 1824210241 | - | - | - | - |
| 1824210237 | 8.4 VA | 6.8 VA | 11 VA | 9.4 VA |
| 1824210235 | 9.7 VA | 7.9 VA | 12.6 VA | 10.2 VA |

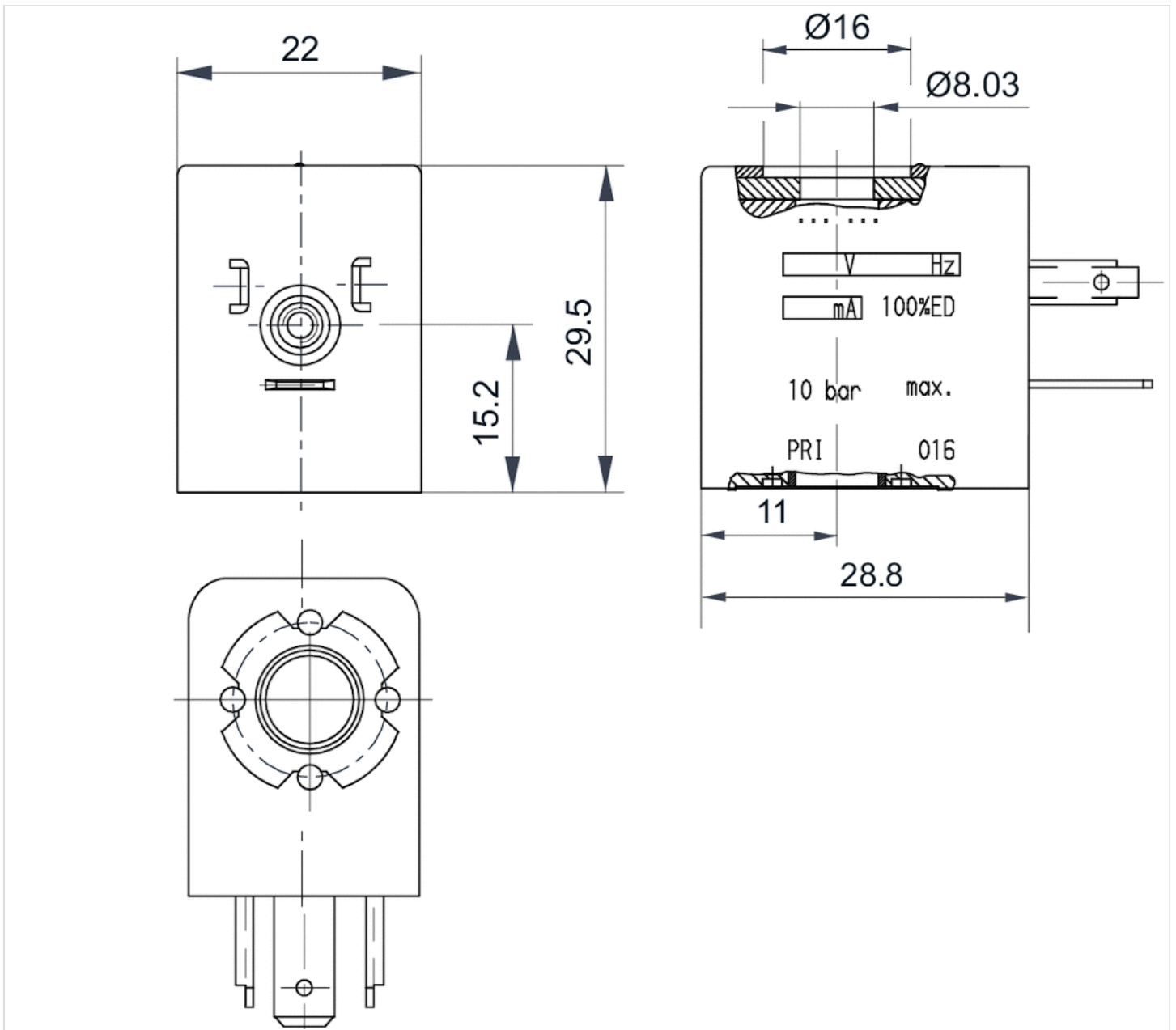
| Part No. | Compatibility index |
|------------|---------------------|
| 1824210245 | 13 |
| 1824210239 | 14 |
| 1824210243 | 14 |
| 1824210241 | 14 |
| 1824210237 | 14 |
| 1824210235 | 14 |

Technical information

| Material | |
|----------|-------------------------|
| Housing | Thermoplastic elastomer |

Dimensions

Dimensions



Coil, Series C01

- Form B, industry
- Coil width 22 mm
- Power consumption DC 2-5 W
- Holding power AC 8 VA
- Switch-on power AC 10 VA



Connector standard
electrical connections
Ambient temperature min./max.
Protection class With valve plug
connector/plug
Duty cycle ED
Weight

ISO 6952
Plug, Form B, industry
50 °C
IP65

100 %
See table below

An example configuration is illustrated.
The delivered product may thus deviate
from the illustration.

Technical data

| Part No. | Operational voltage | Operational voltage | Voltage tolerance |
|------------|---------------------|---------------------|-------------------|
| | DC | AC 50 Hz | DC |
| 0498317405 | 12 V | - | - |
| 0498317502 | 24 V | - | -10% / +10% |
| 0498318800 | 24 V | - | -10% / +10% |
| 0498317618 | 48 V | - | - |
| 0498317707 | 110 V | - | -10% / +10% |
| 0498317804 | 220 V | - | -10% / +10% |
| 0498316905 | - | 24 V | - |
| 0498317006 | - | 48 V | - |
| 0498317103 | - | 110 V | - |
| 0498322506 | - | 230 V | - |

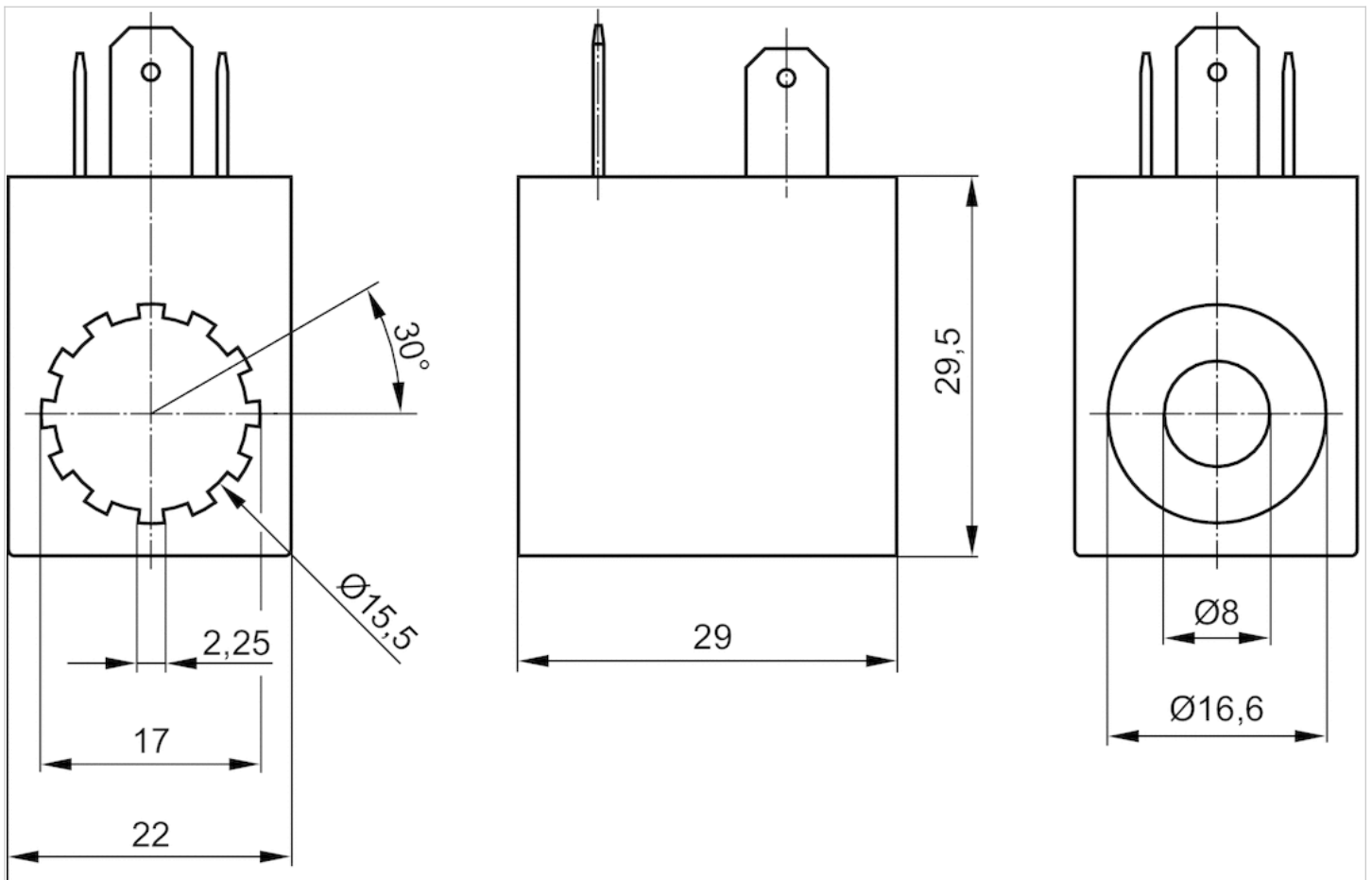
| Part No. | Voltage tolerance | Power consumption | Holding power | Switch-on power |
|------------|-------------------|-------------------|---------------|-----------------|
| | AC 50 Hz | DC | AC 50 Hz | AC 50 Hz |
| 0498317405 | - | 5 W | - | - |
| 0498317502 | - | 5 W | - | - |
| 0498318800 | - | 2 W | - | - |
| 0498317618 | - | 5 W | - | - |
| 0498317707 | - | 5 W | - | - |
| 0498317804 | - | 5 W | - | - |
| 0498316905 | -10% / +10% | - | 8 VA | 10 VA |
| 0498317006 | -10% / +10% | - | 8 VA | 10 VA |
| 0498317103 | -10% / +10% | - | 8 VA | 10 VA |
| 0498322506 | -10% / +10% | - | 8 VA | 10 VA |

| Part No. | Weight | |
|------------|----------|----|
| 0498317405 | 0.054 kg | - |
| 0498317502 | 0.051 kg | - |
| 0498318800 | 0.051 kg | 1) |
| 0498317618 | 0.054 kg | - |
| 0498317707 | 0.054 kg | - |
| 0498317804 | 0.054 kg | - |
| 0498316905 | 0.054 kg | - |
| 0498317006 | 0.054 kg | - |
| 0498317103 | 0.051 kg | - |
| 0498322506 | 0.054 kg | - |

1) Low power consumption

Dimensions

Dimensions

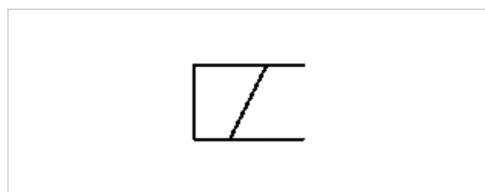


Coil, Series C01

- form A
- Coil width 30 mm
- Power consumption DC 2.1-6.2 W
- Holding power AC 4.2-8 VA
- Switch-on power AC 6.9-11.5 VA



| | |
|---|-----------------------|
| Connector standard | EN 175301-803, form A |
| electrical connections | Plug, 3-pin |
| Ambient temperature min./max. | 50 °C |
| Protection class With valve plug connector/plug | IP65 |
| Duty cycle ED | 100 % |
| Weight | See table below |



Technical data

| Part No. | Operational voltage | Operational voltage | Operational voltage |
|------------|---------------------|---------------------|---------------------|
| | DC | AC 50 Hz | AC 60 Hz |
| 5420507012 | 12 V | - | - |
| 5420507022 | 24 V | - | - |
| 5428457022 | - | 24 V | 24 V |
| 5420507032 | 48 V | - | - |
| 5428457072 | - | 110 V | 110 V |
| 5428457112 | - | 240 V | 240 V |
| 5420897022 | 24 V | - | - |
| 5428117022 | - | 24 V | 24 V |
| 5428117072 | - | 110 V | 110 V |
| 5428117082 | - | 230 V | 230 V |
| 1824210222 | 12 V | 24 V | 24 V |
| 1824210223 | 24 V | - | - |
| 1824210221 | - | 110 V | 110 V |
| 1824210220 | 110 V | 220 V | 230 V |

| Part No. | Voltage tolerance | Voltage tolerance | Voltage tolerance | Power consumption |
|------------|-------------------|-------------------|-------------------|-------------------|
| | DC | AC 50 Hz | AC 60 Hz | DC |
| 5420507012 | -10% / +10% | - | - | 2.1 W |
| 5420507022 | -10% / +10% | - | - | 2.1 W |
| 5428457022 | - | -20% / +10% | -10% / +20% | - |

| Part No. | Voltage tolerance | Voltage tolerance | Voltage tolerance | Power consumption |
|------------|-------------------|-------------------|-------------------|-------------------|
| | DC | AC 50 Hz | AC 60 Hz | DC |
| 5420507032 | -10% / +10% | - | - | 2.2 W |
| 5428457072 | - | -20% / +10% | -10% / +20% | - |
| 5428457112 | - | -20% / +10% | -10% / +20% | - |
| 5420897022 | -10% / +10% | - | - | 2.7 W |
| 5428117022 | - | -20% / +10% | -10% / +20% | - |
| 5428117072 | - | -20% / +10% | -10% / +20% | - |
| 5428117082 | - | -20% / +10% | -10% / +20% | - |
| 1824210222 | -10% / +10% | -10% / +10% | -10% / +10% | 6.2 W |
| 1824210223 | -10% / +10% | -10% / +10% | -10% / +10% | 4.4 W |
| 1824210221 | - | -10% / +10% | -10% / +10% | - |
| 1824210220 | -10% / +10% | -10% / +10% | -10% / +10% | 6 W |

| Part No. | Holding power | Holding power | Switch-on power | Switch-on power |
|------------|---------------|---------------|-----------------|-----------------|
| | AC 50 Hz | AC 60 Hz | AC 50 Hz | AC 60 Hz |
| 5420507012 | - | - | - | - |
| 5420507022 | - | - | - | - |
| 5428457022 | 4.2 VA | 3.2 VA | 6.9 VA | 5.6 VA |
| 5420507032 | - | - | - | - |
| 5428457072 | 4.2 VA | 3.2 VA | 6.9 VA | 5.8 VA |
| 5428457112 | 4.2 VA | 3.2 VA | 6.9 VA | 5.8 VA |
| 5420897022 | - | - | - | - |
| 5428117022 | 5.2 VA | 3.9 VA | - | - |
| 5428117072 | 4.8 VA | 3.6 VA | - | - |
| 5428117082 | 5.6 VA | 4.2 VA | - | - |
| 1824210222 | 7.4 VA | 5.2 VA | 11.5 VA | 9.5 VA |
| 1824210223 | - | - | - | - |
| 1824210221 | 8 VA | 6.4 VA | 11.5 VA | 10.8 VA |
| 1824210220 | 8 VA | 9.1 VA | 11.5 VA | 12.6 VA |

| Part No. | Compatibility index | Weight |
|------------|---------------------|----------|
| 5420507012 | 13 | 0.096 kg |
| 5420507022 | 13 | 0.096 kg |
| 5428457022 | 13 | 0.096 kg |
| 5420507032 | 13 | 0.096 kg |
| 5428457072 | 13 | 0.096 kg |
| 5428457112 | 13 | 0.096 kg |
| 5420897022 | 14 | 0.096 kg |
| 5428117022 | 14 | 0.096 kg |
| 5428117072 | 14 | 0.096 kg |
| 5428117082 | 14 | 0.096 kg |
| 1824210222 | 15 | 0.11 kg |
| 1824210223 | 15 | 0.11 kg |
| 1824210221 | 15 | 0.11 kg |
| 1824210220 | 15 | 0.11 kg |

Technical information

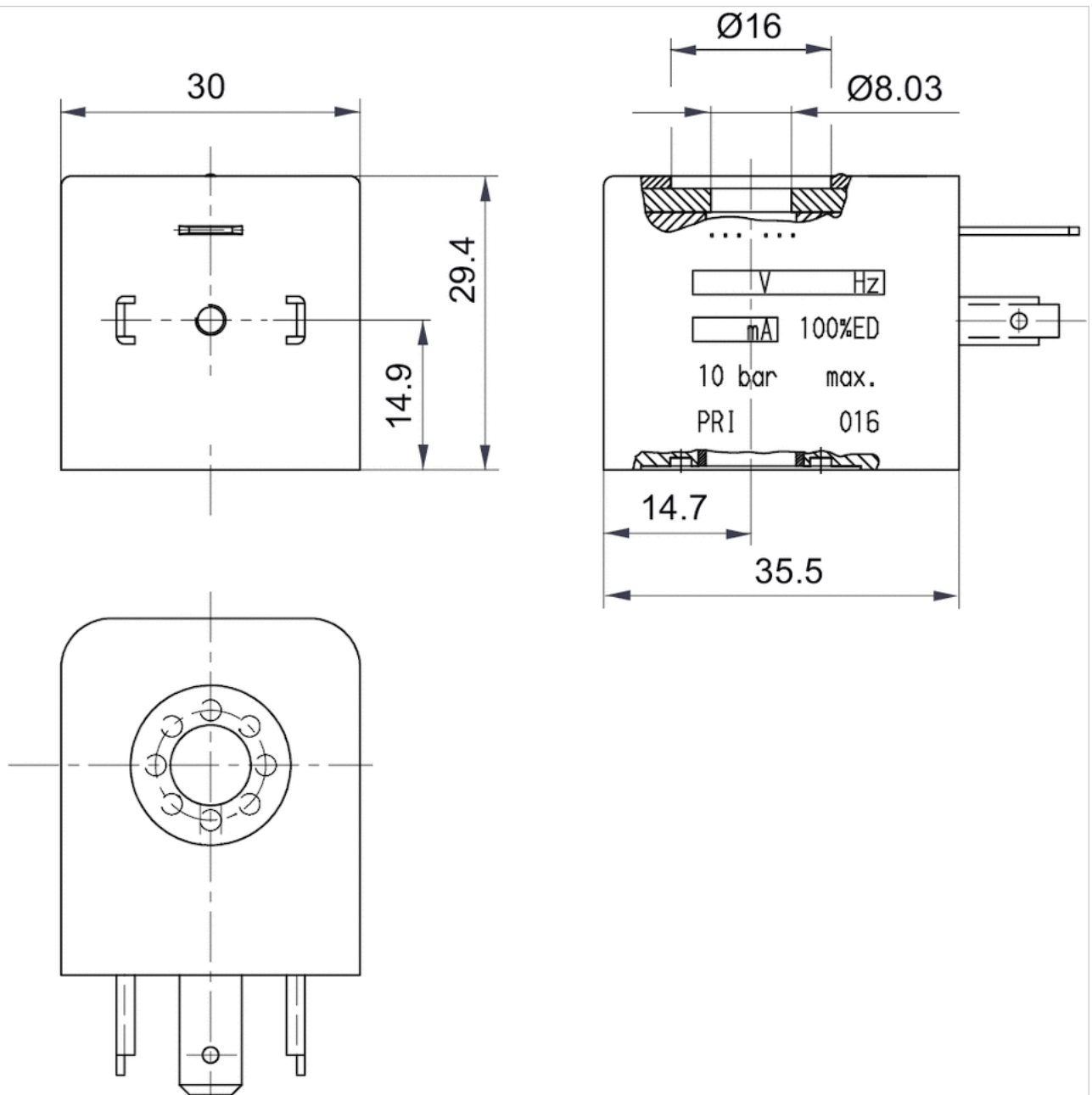
Material

Housing

Thermoplastic elastomer

Dimensions

Dimensions

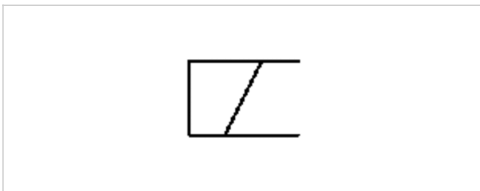


Coil, Series C01

- form A
- Coil width 30 mm
- Power consumption DC 10 W
- Holding power AC 17 VA
- Switch-on power AC 30 VA



| | |
|---|-----------------------|
| Connector standard | EN 175301-803, form A |
| electrical connections | Plug, 3-pin |
| Ambient temperature min./max. | -20 ... 50 °C |
| Protection class With valve plug connector/plug | IP65 |
| Duty cycle ED | 100 % |
| Compatibility index | 33 |



Technical data

| Part No. | Operational voltage | Operational voltage | Operational voltage |
|------------|---------------------|---------------------|---------------------|
| | DC | AC 50 Hz | AC 60 Hz |
| 0498320503 | 12 V | - | - |
| 0498319718 | 24 V | - | - |
| 0498320406 | 48 V | - | - |
| 0498320309 | 110 V | - | - |
| 0498320201 | 220 V | - | - |
| 0498319807 | - | 24 V | 24 V |
| 0498319904 | - | 110 V | 110 V |
| 0498322409 | - | 230 V | 230 V |

| Part No. | Voltage tolerance | Voltage tolerance | Voltage tolerance | Power consumption |
|------------|-------------------|-------------------|-------------------|-------------------|
| | DC | AC 50 Hz | AC 60 Hz | DC |
| 0498320503 | -10% / +10% | - | - | 10 W |
| 0498319718 | -10% / +10% | - | - | 10 W |
| 0498320406 | -10% / +10% | - | - | 10 W |
| 0498320309 | -10% / +10% | - | - | 10 W |
| 0498320201 | -10% / +10% | - | - | 10 W |
| 0498319807 | - | -10% / +10% | -10% / +10% | - |
| 0498319904 | - | -10% / +10% | -10% / +10% | - |
| 0498322409 | - | -10% / +10% | -10% / +10% | - |

| Part No. | Holding power | Holding power | Switch-on power | Switch-on power |
|------------|---------------|---------------|-----------------|-----------------|
| | AC 50 Hz | AC 60 Hz | AC 50 Hz | AC 60 Hz |
| 0498320503 | - | - | - | - |
| 0498319718 | - | - | - | - |
| 0498320406 | - | - | - | - |
| 0498320309 | - | - | - | - |
| 0498320201 | - | - | - | - |
| 0498319807 | 17 VA | 14.5 VA | 30 VA | 25 VA |
| 0498319904 | 17 VA | 14.5 VA | 30 VA | 25 VA |
| 0498322409 | 17 VA | 14.5 VA | 30 VA | 25 VA |

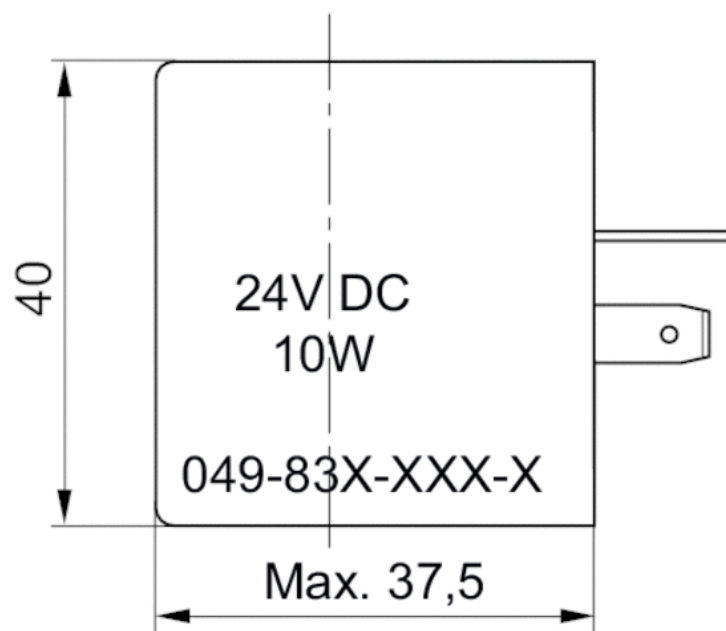
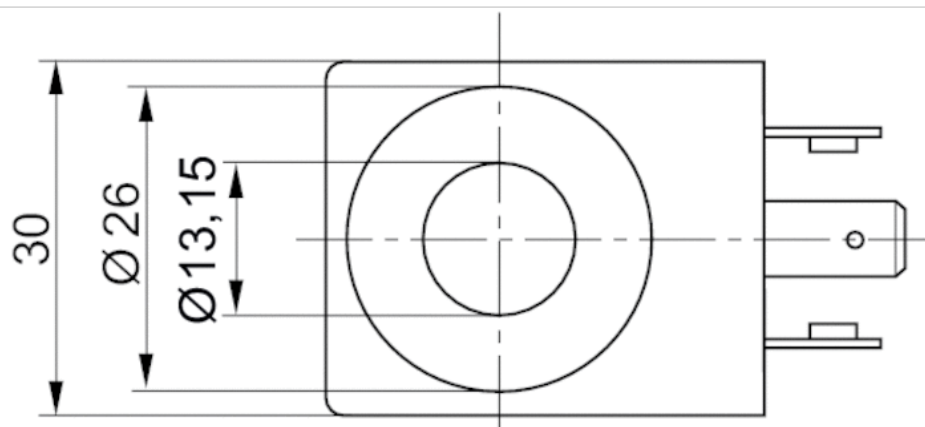
Technical information

Material

| | |
|---------|-------------------------|
| Housing | Thermoplastic elastomer |
|---------|-------------------------|

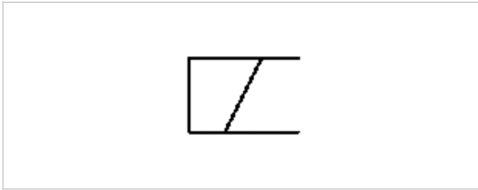
Dimensions

Dimensions



Coil, Series C01

- With valve plug connector
- Coil width 30 mm
- Power consumption DC 2.1 W
- Holding power AC 4-4.1 VA
- Switch-on power AC 4-4.1 VA
- ATEX



| | |
|-------------------------------|------------------------------|
| Certificates | ATEX |
| ATEX class G | II 3G Ex nA IIC T4 Gc X |
| ATEX class D | II 3D Ex tc IIIC T125°C Dc X |
| Ambient temperature min./max. | -10 ... 50 °C |
| Protection class | IP65 |
| Duty cycle ED | 100 % |
| Compatibility index | 13 |
| Weight | See table below |

Technical data

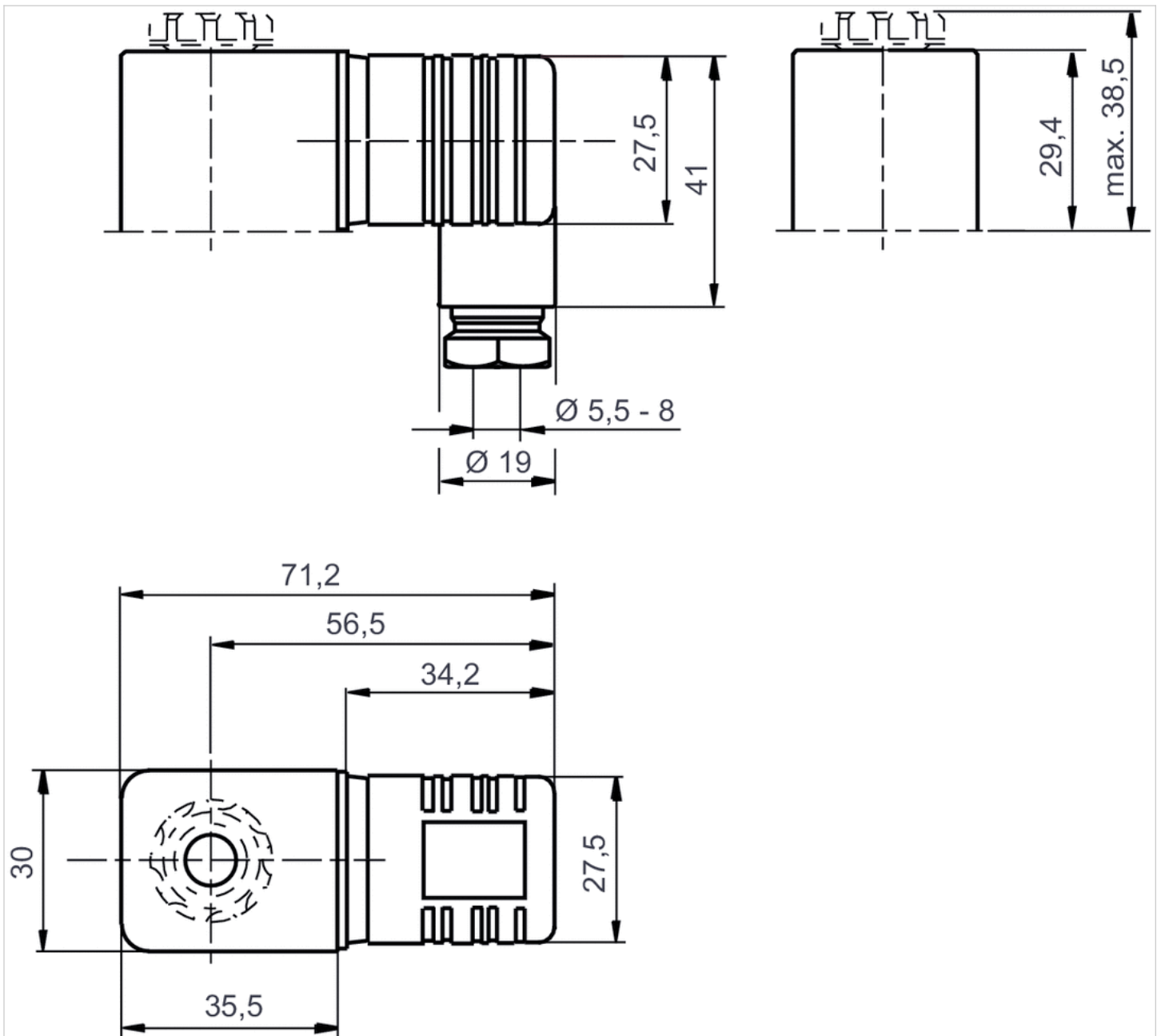
| Part No. | Operational voltage | Operational voltage | Operational voltage |
|------------|---------------------|---------------------|---------------------|
| | DC | AC 50 Hz | AC 60 Hz |
| R412000144 | 24 V | - | - |
| R412000145 | - | 24 V | 24 V |
| R412000146 | - | 110 V | 110 V |
| R412000147 | - | 230 V | 230 V |

| Part No. | Voltage tolerance | Voltage tolerance | Voltage tolerance | Power consumption |
|------------|-------------------|-------------------|-------------------|-------------------|
| | DC | AC 50 Hz | AC 60 Hz | DC |
| R412000144 | -10% / +10% | - | - | 2.1 W |
| R412000145 | - | -20% / +10% | -10% / +20% | - |
| R412000146 | - | -20% / +10% | -10% / +20% | - |
| R412000147 | - | -20% / +10% | -10% / +20% | - |

| Part No. | Holding power | Switch-on power | Weight |
|------------|---------------|-----------------|----------|
| | AC 50 Hz | AC 50 Hz | |
| R412000144 | - | - | 0.14 kg |
| R412000145 | 4 VA | 4 VA | 0.134 kg |
| R412000146 | 4 VA | 4 VA | 0.122 kg |
| R412000147 | 4.1 VA | 4.1 VA | 0.137 kg |

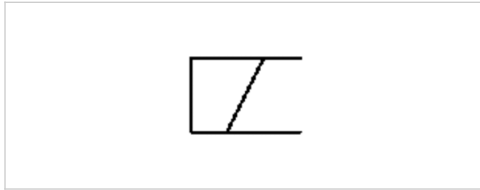
Dimensions

Dimensions



Coil, Series CO1

- Cable with valve plug connector
- Coil width 30 mm
- Power consumption DC 3.25 W
- Holding power AC 2.9-3 VA
- Switch-on power AC 3-3.1 VA
- ATEX



| | |
|-------------------------------|------------------------------------|
| Certificates | ATEX |
| ATEX class G | II 2G Ex mb IIC T4 Gb |
| ATEX class D | II 2D Ex mb tb IIIC T130°C Db IP65 |
| Ambient temperature min./max. | -20 ... 50 °C |
| Protection class | IP65 |
| Duty cycle ED | 100 % |
| Compatibility index | 14 |
| Weight | See table below |

Technical data

| Part No. | Operational voltage | | Operational voltage |
|------------|---------------------|----------|---------------------|
| | DC | AC 50 Hz | AC 60 Hz |
| 1827414297 | - | 230 V | 230 V |
| 1827414298 | - | 230 V | 230 V |
| 1827414299 | - | 110 V | 110 V |
| 1827414301 | - | 24 V | 24 V |
| 1827414303 | 24 V | - | - |
| 1827414304 | 24 V | - | - |

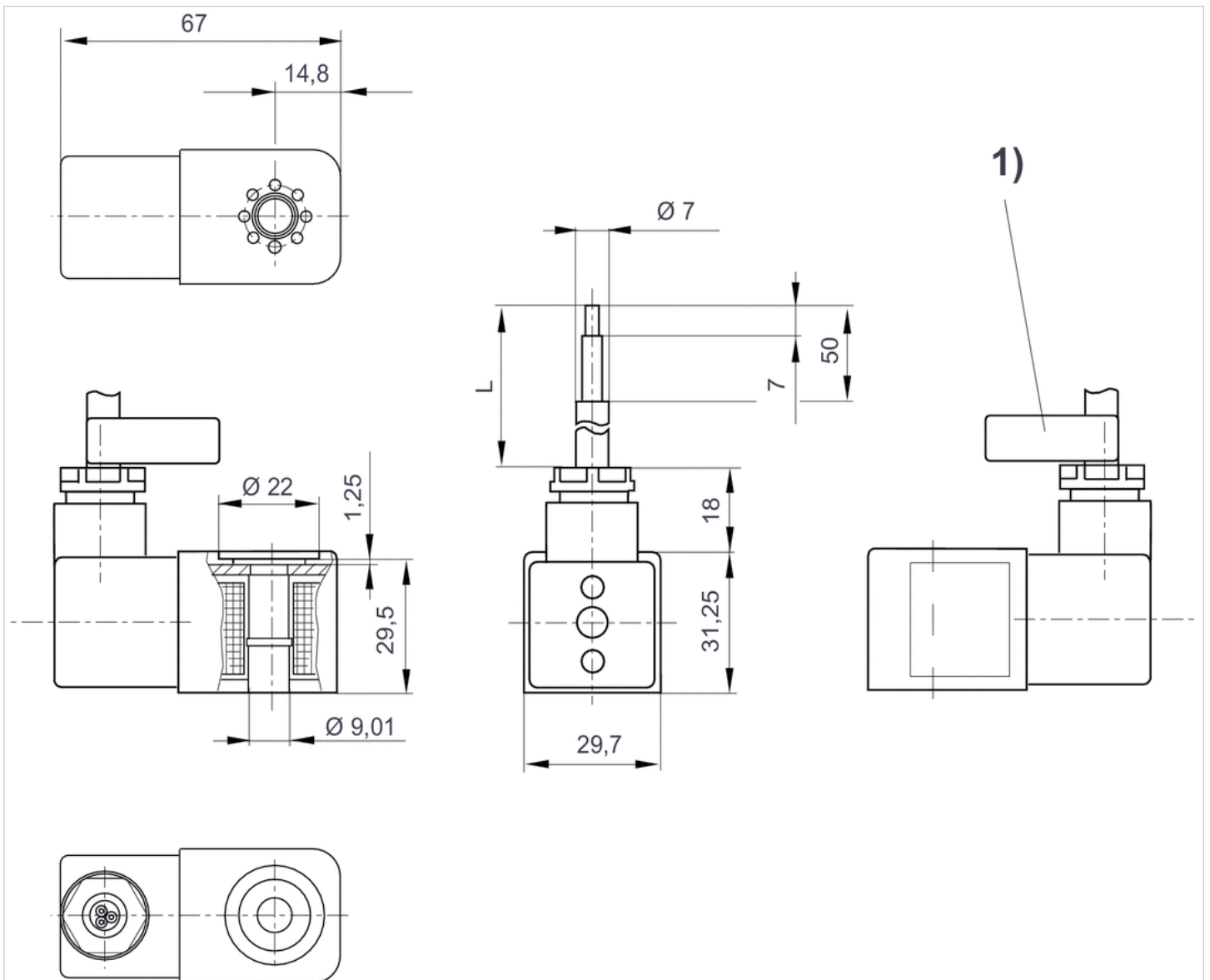
| Part No. | Voltage tolerance | | Power consumption | Holding power |
|------------|-------------------|-------------|-------------------|---------------|
| | DC | AC 50 Hz | DC | AC 50 Hz |
| 1827414297 | - | -10% / +10% | - | 3 VA |
| 1827414298 | - | -10% / +10% | - | 3 VA |
| 1827414299 | - | -10% / +10% | - | 2.9 VA |
| 1827414301 | - | -10% / +10% | - | 2.9 VA |
| 1827414303 | -10% / +10% | - | 3.25 W | - |
| 1827414304 | -10% / +10% | - | 3.25 W | - |

| Part No. | Switch-on power | | Cable length | Weight |
|------------|-----------------|--|--------------|---------|
| | AC 50 Hz | | | |
| 1827414297 | 3.1 VA | | 3 m | 0.38 kg |

| Part No. | Switch-on power | Cable length | Weight |
|------------|-----------------|--------------|---------|
| | AC 50 Hz | | |
| 1827414298 | 3.1 VA | 10 m | 0.91 kg |
| 1827414299 | 3 VA | 3 m | 0.38 kg |
| 1827414301 | 3 VA | 3 m | 0.38 kg |
| 1827414303 | - | 3 m | 0.38 kg |
| 1827414304 | - | 10 m | 0.91 kg |

Dimensions

Dimensions



L = cable length

1) Cable ID band with serial number

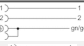
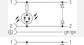
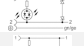


Valve plug connector, series CON-VP

- Socket form A 2+E angled 90°
- open cable ends 3-pin
- with cable
- unshielded



| | |
|----------------------------------|----------------------|
| Ambient temperature min./max. | -20 ... 80 °C |
| Operational voltage | See table below |
| Protection class | IP67 |
| Wire cross-section | 0.75 mm ² |
| Mounting screw tightening torque | 0.4 Nm |
| Weight | See table below |

Technical data

| Part No. | | Operational voltage | Protective circuit | Contact assignment | LED status display |
|------------|---|---------------------|--------------------|--------------------|--------------------|
| 1834484160 |  | 230 V AC/DC | - | 2+E | - |
| 1834484162 |  | 24 V AC/DC | Z-diode | 2+E | Yellow |
| 1834484163 |  | 24 V AC/DC | Z-diode | 2+E | Yellow |
| 1834484164 |  | 230 V AC/DC | Varistor | 2+E | Red |
| 1834484165 |  | 230 V AC/DC | Varistor | 2+E | Red |

| Part No. | Number of wires | Cable-Ø | Cable length | Weight | Fig. | |
|------------|-----------------|---------|--------------|---------|--------|----|
| 1834484160 | 3 | 5.9 mm | 3 m | 0.2 kg | Fig. 1 | 1) |
| 1834484162 | 3 | 5.9 mm | 3 m | 0.2 kg | Fig. 2 | - |
| 1834484163 | 3 | 5.9 mm | 5 m | 0.31 kg | Fig. 2 | - |
| 1834484164 | 3 | 5.9 mm | 3 m | 0.2 kg | Fig. 2 | - |
| 1834484165 | 3 | 5.9 mm | 5 m | 0.31 kg | Fig. 2 | - |

1) Scope of delivery incl. flat gasket

Technical information

The specified protection class is only valid in assembled and tested state.

Technical information

| Material | |
|--------------|---------------------------------|
| Seals | caoutchouc/butadiene caoutchouc |
| Cable sheath | Polyvinyl chloride |

Dimensions

Fig. 1

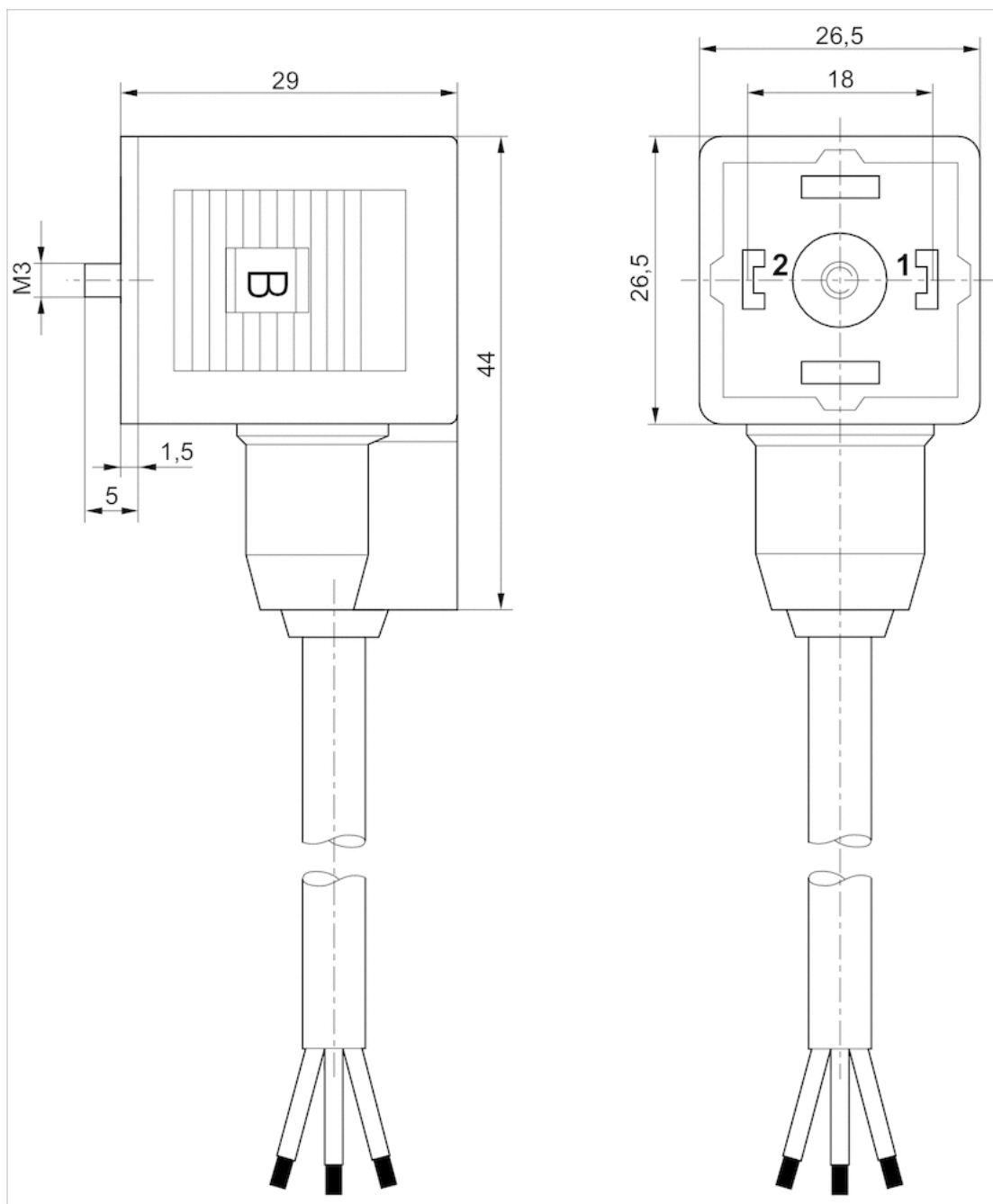
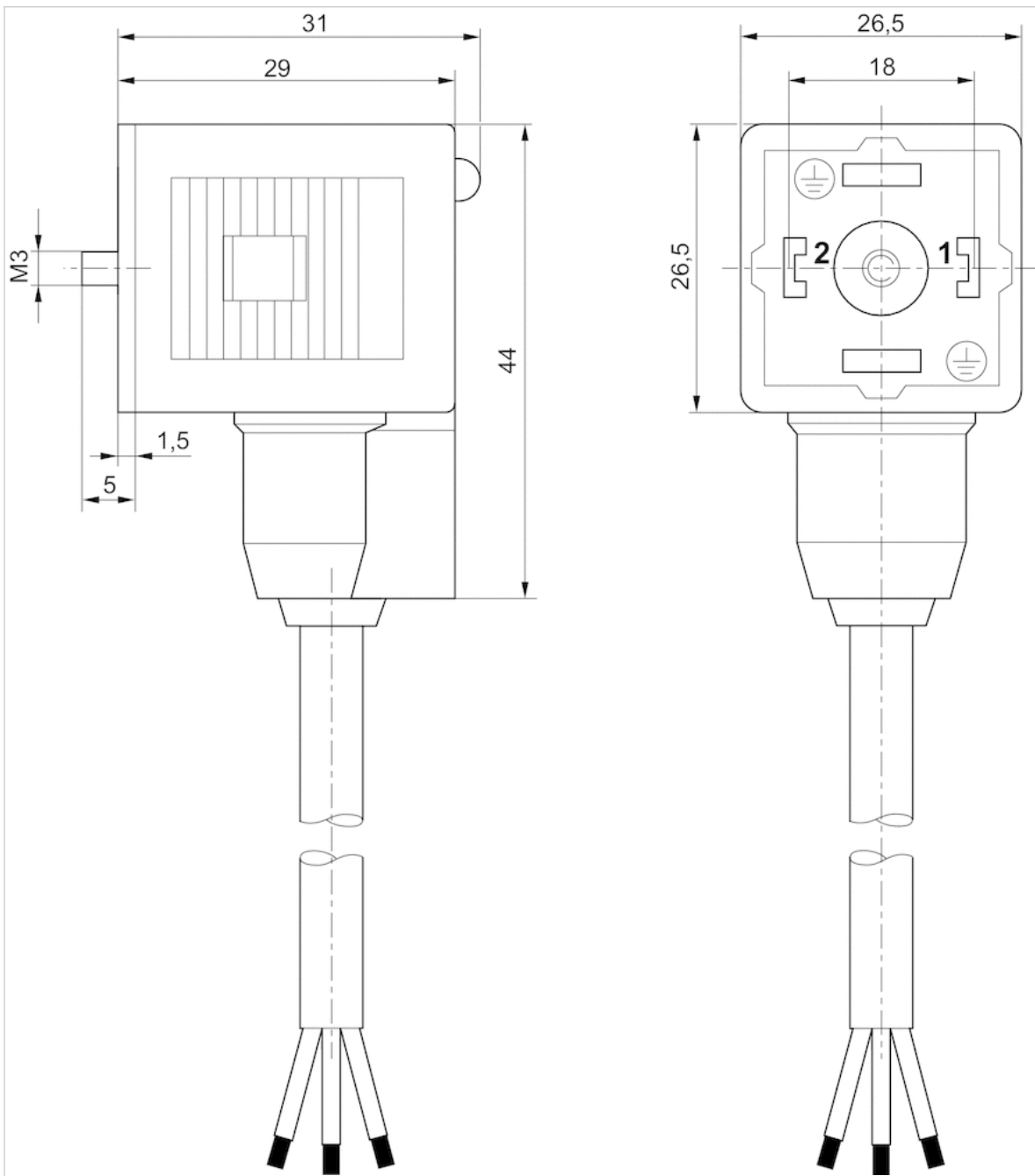


Fig. 2



Valve plug connector, series CON-VP

- Socket, 2+E, angled, 90° Socket, 3+E, angled, 90°

- EN 175301-803

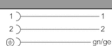






- unshielded

- with LED Yellow Red Green green/red



| | |
|----------------------------------|-----------------|
| Connection type | Screws |
| Ambient temperature min./max. | -40 ... 90 °C |
| Operational voltage | See table below |
| Protection class | IP65 |
| Mounting screw tightening torque | 0.4 Nm |
| Weight | See table below |

Technical data

| Part No. | | Electrical connection | Operational voltage | Max. current |
|------------|---|-----------------------|---------------------|--------------|
| | | 1 | | |
| 1834484048 |  | Socket 2+E angled 90° | - | 10 A |
| 1834484059 |  | Socket 3+E angled 90° | - | 10 A |
| 1834484101 |  | Socket 2+E angled 90° | 24 V AC/DC | - |
| 1834484102 |  | Socket 2+E angled 90° | 110 V AC | - |
| 1834484103 |  | Socket 2+E angled 90° | 230 V AC | - |
| 8941016112 |  | Socket 2+E angled 90° | 230 V AC | - |
| 8941012462 |  | Socket 3+E angled 90° | 24 V DC | 8 A |

| Part No. | Protective circuit | Contact assignment | LED status display | suitable cable-Ø min./max |
|------------|--------------------|--------------------|--------------------|---------------------------|
| 1834484048 | - | 2+E | - | 6 / 8 mm |
| 1834484059 | - | 3+E | - | 6 / 8 mm |
| 1834484101 | Z-diode | 2+E | Yellow | 6 / 8 mm |
| 1834484102 | Varistor | 2+E | Red | 6 / 8 mm |
| 1834484103 | Varistor | 2+E | Red | 6 / 8 mm |
| 8941016112 | Varistor | 2+E | Green | 6 / 10 mm |
| 8941012462 | - | 3+E | green/red | 4.5 / 11 mm |

| Part No. | Seal | Weight | |
|------------|---------------------------------|----------|----|
| 1834484048 | caoutchouc/butadiene caoutchouc | 0.03 kg | 1) |
| 1834484059 | caoutchouc/butadiene caoutchouc | 0.03 kg | 1) |
| 1834484101 | Silicone caoutchouc | 0.03 kg | 2) |
| 1834484102 | caoutchouc/butadiene caoutchouc | 0.03 kg | 1) |
| 1834484103 | Silicone caoutchouc | 0.025 kg | 1) |
| 8941016112 | caoutchouc/butadiene caoutchouc | 0.03 kg | 1) |
| 8941012462 | caoutchouc/butadiene caoutchouc | 0.03 kg | 2) |

- 1) Profile seal
- 2) Flat gasket

Technical information

The specified protection class is only valid in assembled and tested state.

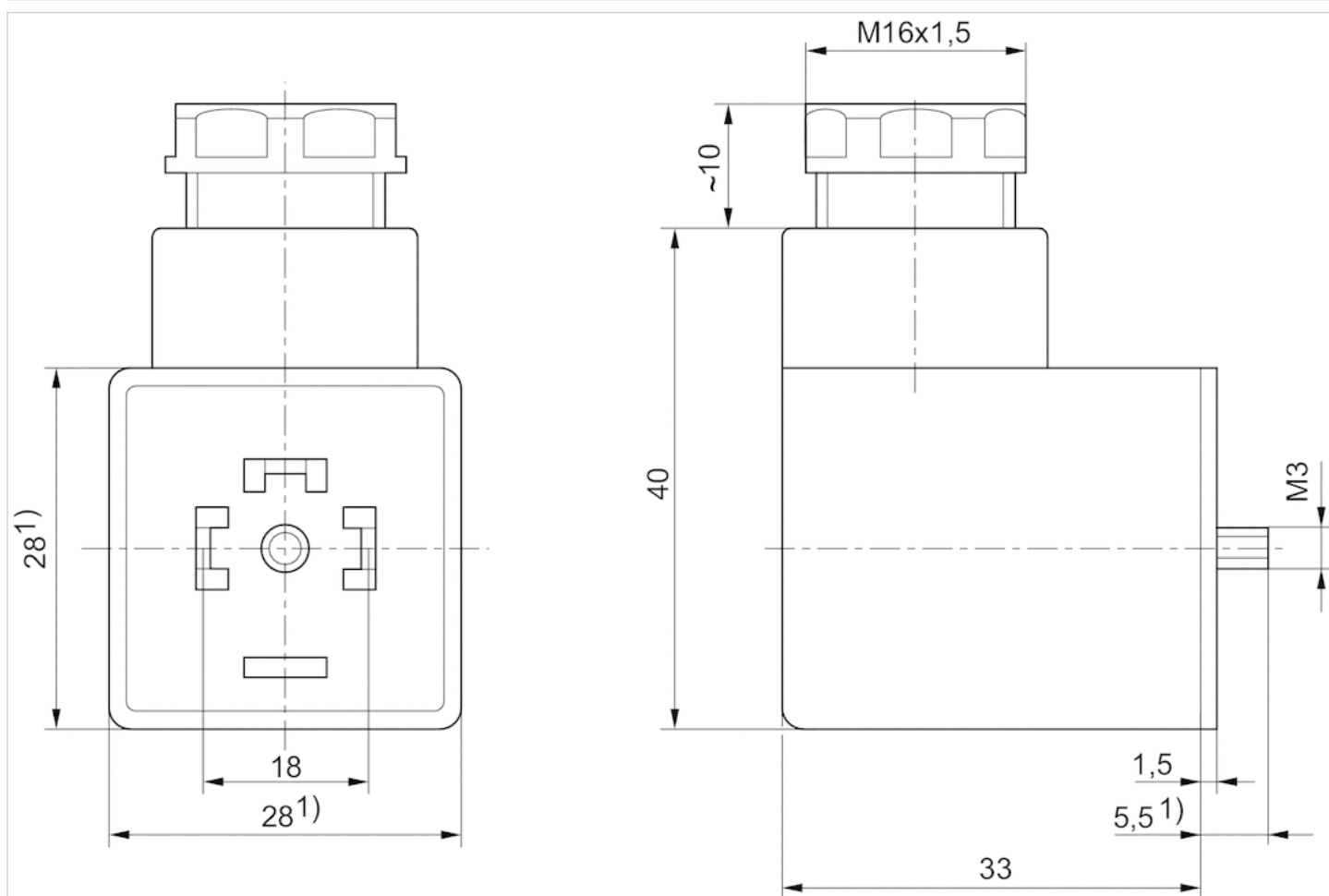
Technical information

Material

| | |
|-------|---|
| Seals | caoutchouc/butadiene caoutchouc Silicone caoutchouc |
|-------|---|

Dimensions

Dimensions



1) Max.

Valve plug connector, series CON-VP

- Socket, form B, 2+E, angled, 90°
- ISO 6952
- unshielded
- with LED Yellow Red Red



| | |
|----------------------------------|-----------------|
| Connection type | Screws |
| Ambient temperature min./max. | -25 ... 50 °C |
| Operational voltage | See table below |
| Protection class | IP65 |
| Mounting screw tightening torque | 0.4 Nm |
| Weight | 0.02 kg |

Technical data

| Part No. | | Operational voltage | Max. current | Protective circuit | Contact assignment |
|------------|--|---------------------|--------------|--------------------|--------------------|
| 1834484096 | | - | 10 A | - | 2+E |
| 1834484104 | | 24 V AC/DC | - | Z-diode | 2+E |
| 1834484105 | | 110 V AC | - | Varistor | 2+E |
| 1834484106 | | 230 V AC | - | Varistor | 2+E |

| Part No. | LED status display | suitable cable-Ø min./max | Seal | Fig. |
|------------|--------------------|---------------------------|---------------------------------|--------|
| 1834484096 | - | 5 / 8 mm | caoutchouc/butadiene caoutchouc | Fig. 1 |
| 1834484104 | Yellow | 6 / 8 mm | Silicone caoutchouc | Fig. 2 |
| 1834484105 | Red Red | 6 / 8 mm | Silicone caoutchouc | Fig. 2 |
| 1834484106 | Red Red | 6 / 8 mm | Silicone caoutchouc | Fig. 2 |

Profile seal, Flat gasket

Technical information

The specified protection class is only valid in assembled and tested state.

Technical information

| Material | |
|----------|---|
| Seals | caoutchouc/butadiene caoutchouc Silicone caoutchouc |

Dimensions

Fig. 1

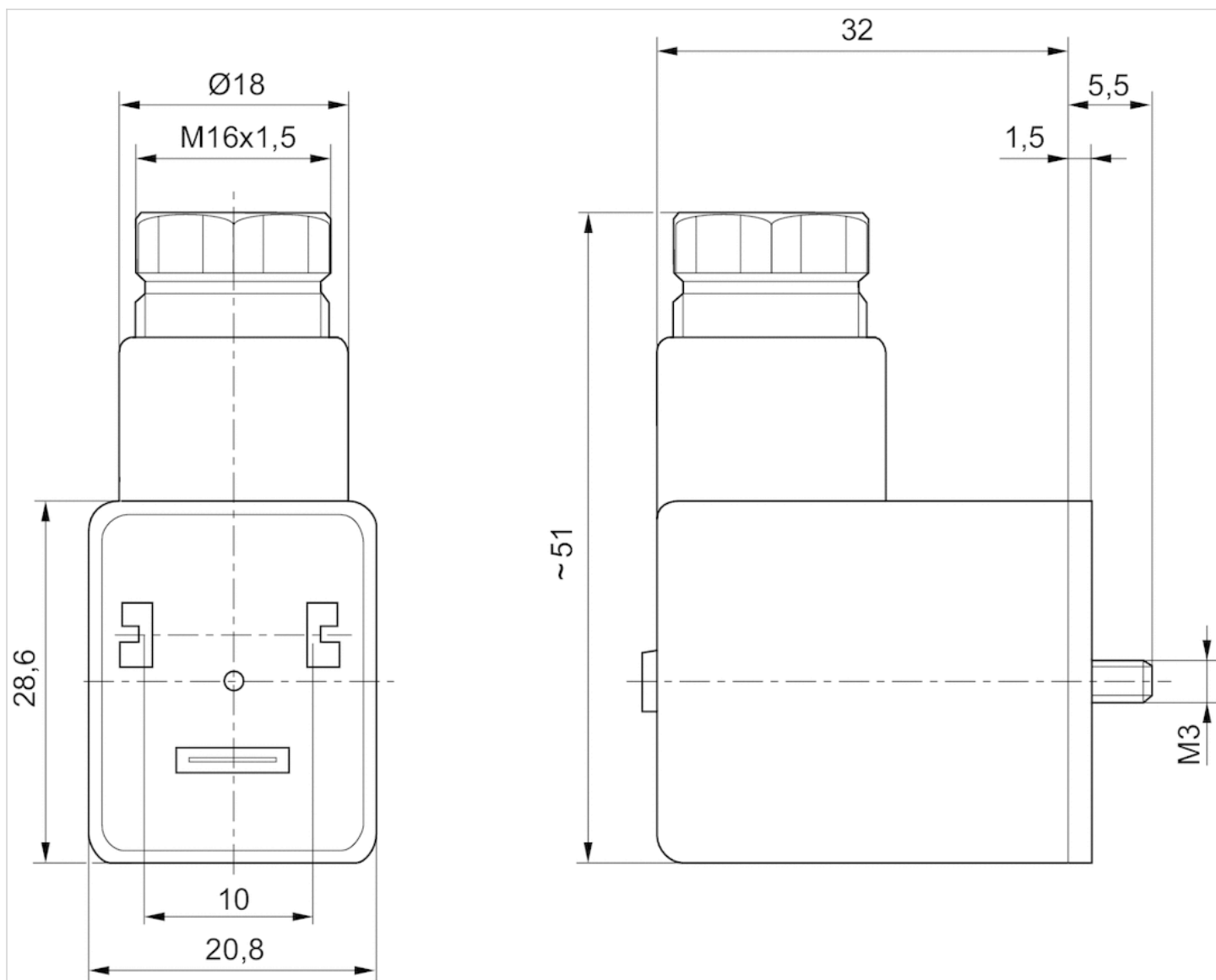
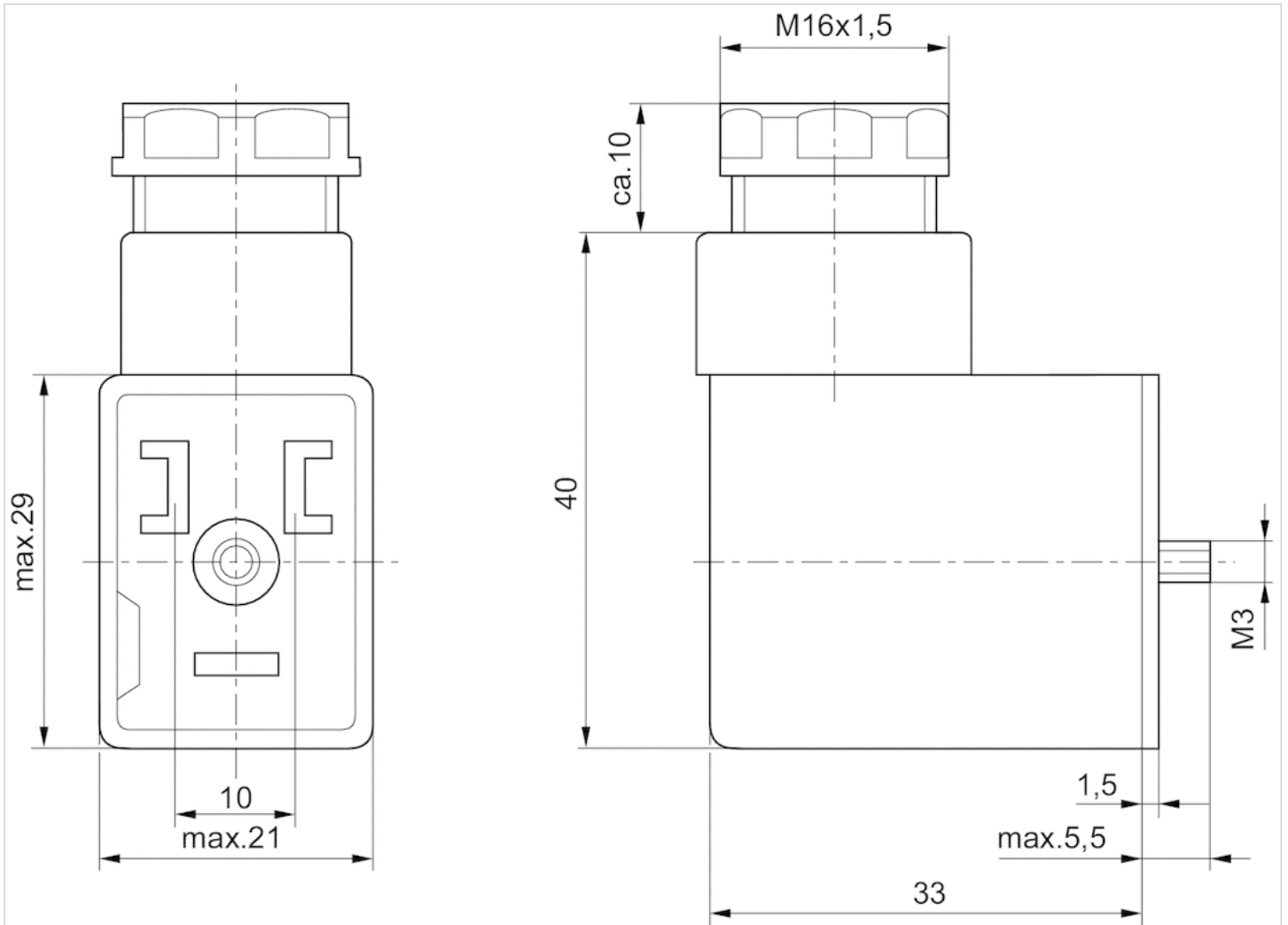


Fig. 2

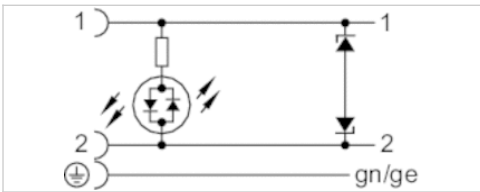


Valve plug connector, series CON-VP

- Socket form B 2+E angled 90°
- open cable ends 3-pin
- with cable
- unshielded



| | |
|----------------------------------|----------------------|
| Ambient temperature min./max. | -20 ... 80 °C |
| Operational voltage | 24 V AC/DC |
| Protection class | IP67 |
| Protective circuit | Z-diode |
| Wire cross-section | 0.75 mm ² |
| Mounting screw tightening torque | 0.4 Nm |
| Weight | See table below |



Technical data

| Part No. | Max. current | Contact assignment | LED status display | Number of wires | Cable-Ø | Cable length | Weight | Fig. |
|------------|--------------|--------------------|--------------------|-----------------|---------|--------------|---------|--------|
| 1834484152 | 10 A | 2+E | Yellow | 3 | 5.9 mm | 3 m | 0.2 kg | Fig. 1 |
| 1834484153 | 10 A | 2+E | Yellow | 3 | 5.9 mm | 3 m | 0.2 kg | Fig. 2 |
| 1834484154 | 10 A | 2+E | Yellow | 3 | 5.9 mm | 5 m | 0.31 kg | Fig. 1 |
| 1834484155 | 10 A | 2+E | Yellow | 3 | 5.9 mm | 5 m | 0.31 kg | Fig. 2 |

Scope of delivery incl. flat gasket

Technical information

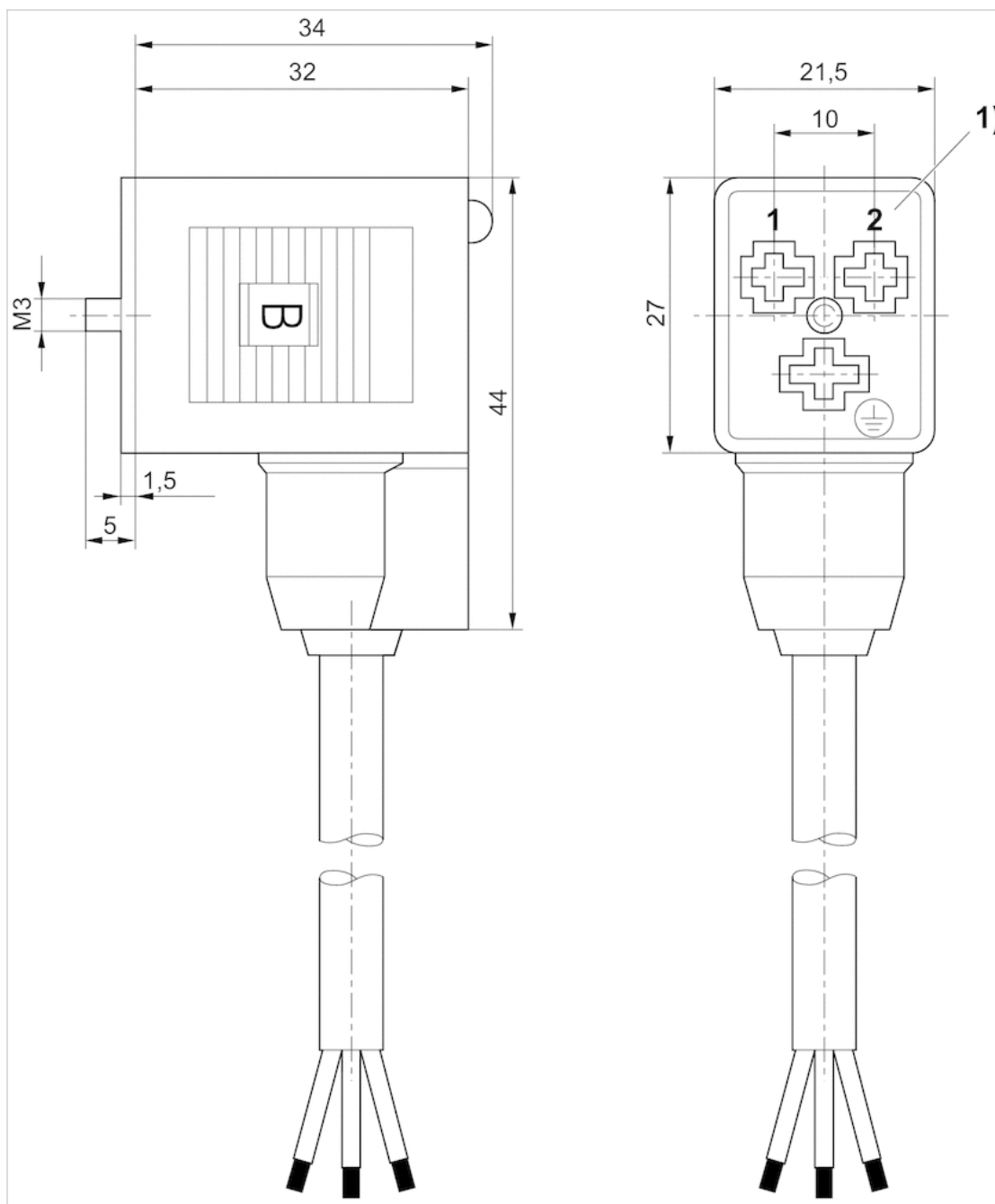
The specified protection class is only valid in assembled and tested state.

Technical information

| Material | |
|--------------|---------------------------------|
| Seals | caoutchouc/butadiene caoutchouc |
| Cable sheath | Polyvinyl chloride |

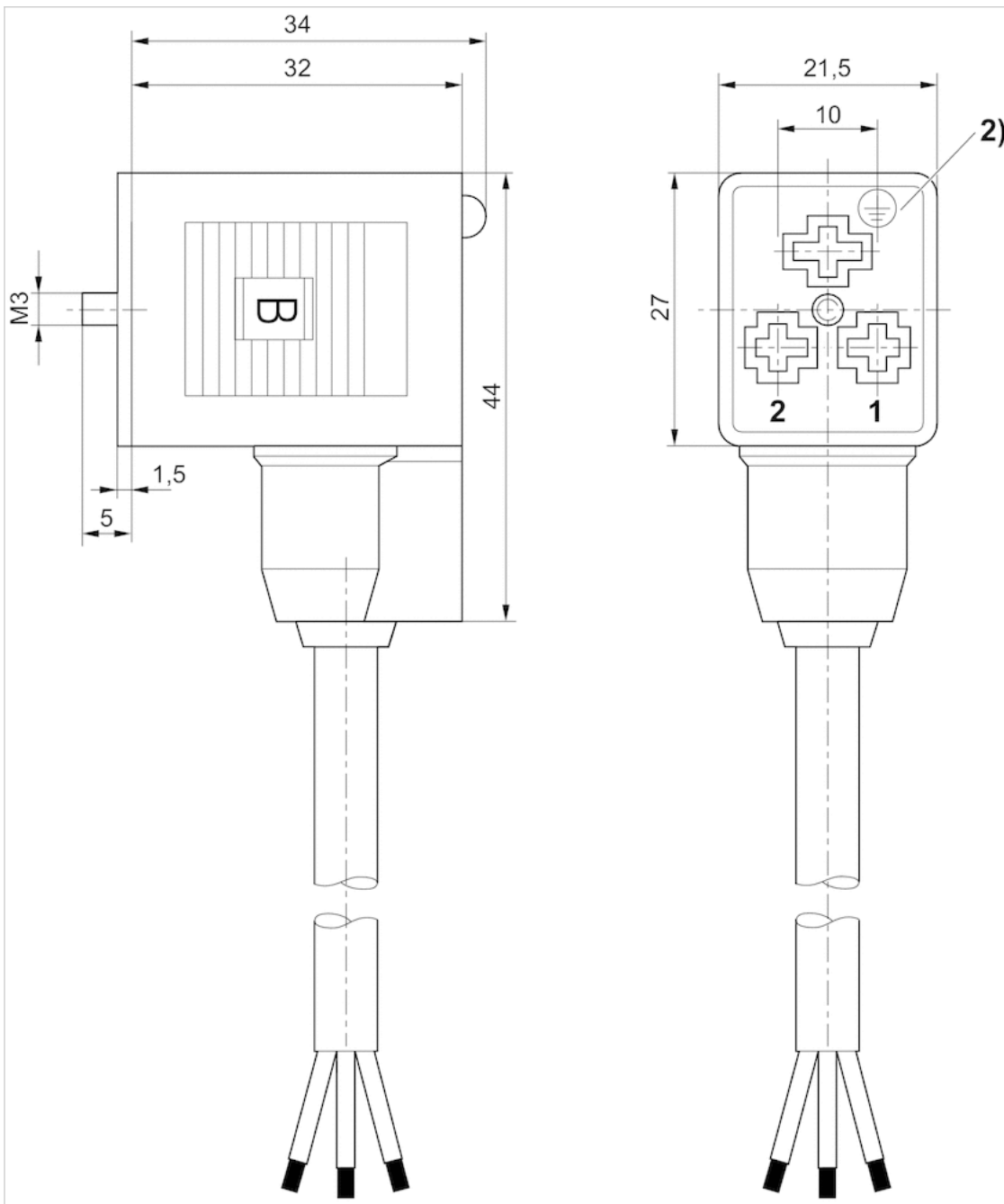
Dimensions

Fig. 1



1) 0° female insert

Fig. 2



2) 180° female insert

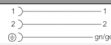



Valve plug connector, series CON-VP

- Socket, Form B, industry, 2+E, angled, 90°
- Industry standard
- unshielded
- with LED Yellow Red



| | |
|----------------------------------|-----------------|
| Connection type | Screws |
| Ambient temperature min./max. | -25 ... 50 °C |
| Operational voltage | See table below |
| Protection class | IP65 |
| Mounting screw tightening torque | 0.4 Nm |
| Weight | 0.02 kg |

Technical data

| Part No. | | Operational voltage | Max. current | Protective circuit | Contact assignment |
|------------|---|---------------------|--------------|--------------------|--------------------|
| 1834484051 |  | - | 10 A | - | 2+E |
| 1834484107 |  | 24 V AC/DC | - | Z-diode | 2+E |
| 1834484108 |  | 110 V AC | - | Varistor | 2+E |
| 1834484109 |  | 230 V AC | - | Varistor | 2+E |

| Part No. | LED status display | suitable cable-Ø min./max | Seal | Fig. | |
|------------|--------------------|---------------------------|---------------------------------|--------|----|
| 1834484051 | - | 4 / 8 mm | caoutchouc/butadiene caoutchouc | Fig. 1 | 1) |
| 1834484107 | Yellow | 6 / 8 mm | Silicone caoutchouc | Fig. 2 | 2) |
| 1834484108 | Red | 6 / 8 mm | Silicone caoutchouc | Fig. 2 | 1) |
| 1834484109 | Red | 4 / 8 mm | Silicone caoutchouc | Fig. 2 | 2) |

1) Profile seal

2) Flat gasket,

Technical information

For security reasons, the valve plug connector must be plugged properly and centrally.
The specified protection class is only valid in assembled and tested state.

Technical information

| Material | |
|----------|---|
| Seals | caoutchouc/butadiene caoutchouc Silicone caoutchouc |

Dimensions

Fig. 1

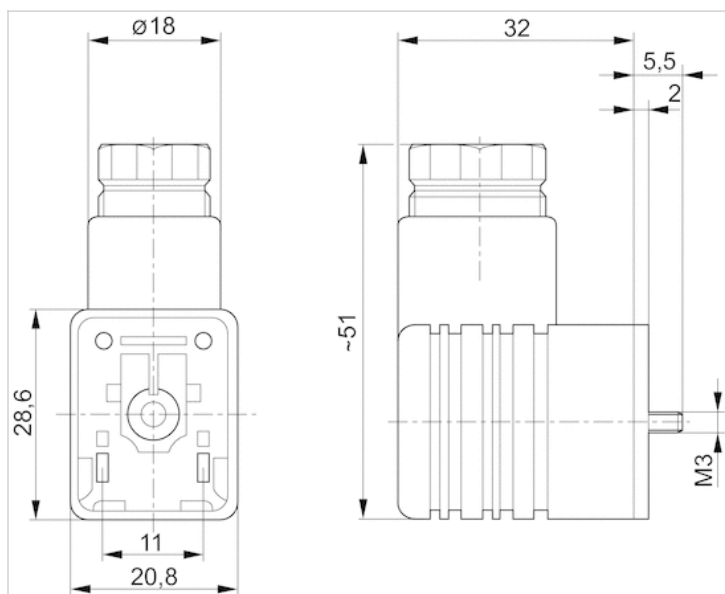
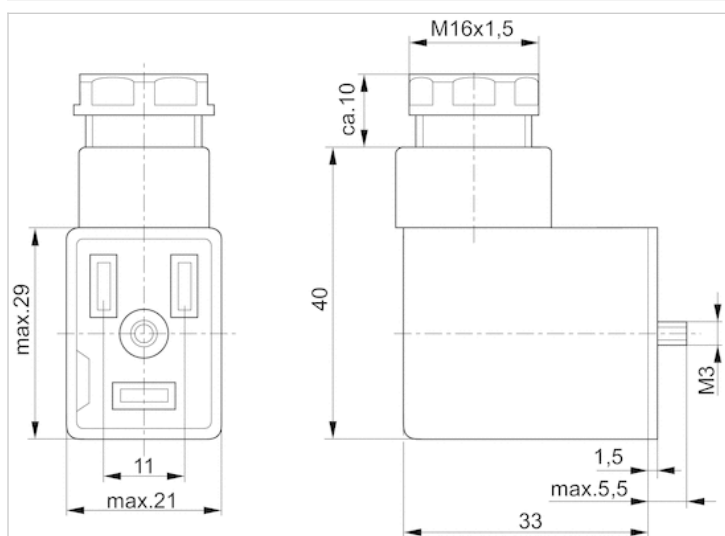


Fig. 2



Valve plug connector, series CON-VP

- Socket Form B, industry 2+E angled 90°
- open cable ends 3-pin
- with cable
- unshielded



| | |
|----------------------------------|----------------------|
| Ambient temperature min./max. | -20 ... 80 °C |
| Protection class | IP67 |
| Wire cross-section | 0.75 mm ² |
| Mounting screw tightening torque | 0.4 Nm |
| Weight | 0.02 kg |



Technical data

| Part No. | Max. current | Contact assignment | Number of wires | Cable-Ø | Cable length |
|------------|--------------|--------------------|-----------------|---------|--------------|
| 8946201912 | 4 A | 2+E | 3 | 5.9 mm | 3 m |

Technical information

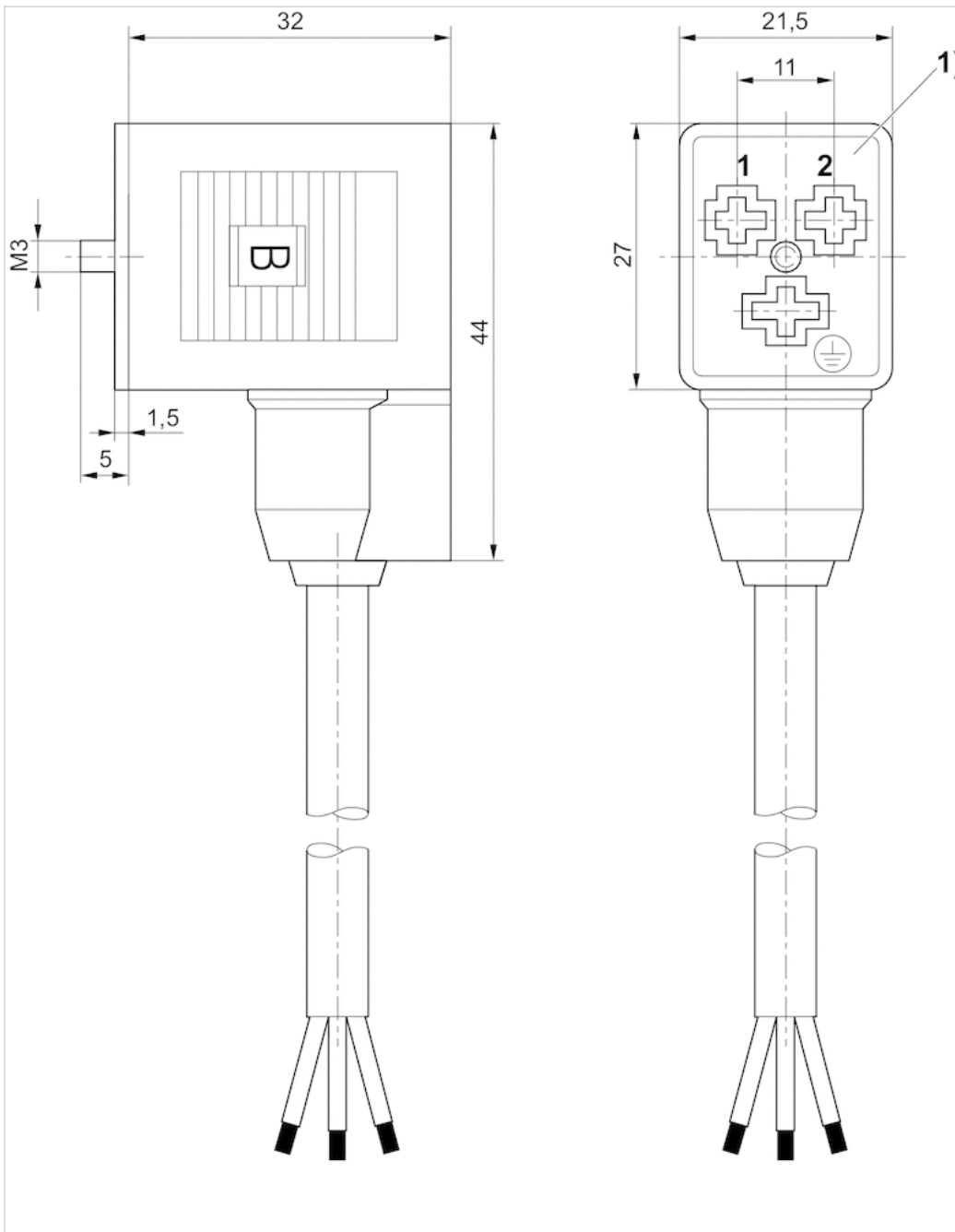
For security reasons, the valve plug connector must be plugged properly and centrally.
The specified protection class is only valid in assembled and tested state.

Technical information

| Material | |
|--------------|--------------------|
| Cable sheath | Polyvinyl chloride |

Dimensions

Dimensions



1) 0° female insert

Valve plug connector, series CON-VP

- Socket, form C, 2+E, angled, 90°
- ISO 15217
- unshielded
- with LED Green



| | |
|----------------------------------|-----------------|
| Connection type | Screws |
| Ambient temperature min./max. | -40 ... 90 °C |
| Operational voltage | See table below |
| Protection class | IP65 |
| Mounting screw tightening torque | 0.4 Nm |
| Weight | See table below |

Technical data

| Part No. | | Operational voltage | Max. current | Protective circuit | Contact assignment |
|------------|--|---------------------|--------------|--------------------|--------------------|
| 1834484187 | | 250 / 300 V AC/DC | 6 A | - | 2+E |
| 8941012202 | | 250 / 300 V AC/DC | 6 A | - | 2+E |
| 4402050330 | | 24 V AC/DC | - | Z-diode | 2+E |

| Part No. | LED status display | suitable cable-Ø min./max | Seal | Weight |
|------------|--------------------|---------------------------|---------------------------------|----------|
| 1834484187 | - | 4 / 8 mm | caoutchouc/butadiene caoutchouc | 0.012 kg |
| 8941012202 | - | 4 / 8 mm | - | 0.012 kg |
| 4402050330 | Green | - | - | 0.014 kg |

| Part No. | Fig. | |
|------------|--------|----|
| 1834484187 | Fig. 1 | - |
| 8941012202 | Fig. 2 | - |
| 4402050330 | Fig. 3 | 1) |

1)

Technical information

The specified protection class is only valid in assembled and tested state.

Technical information

Material

Seals

caoutchouc/butadiene caoutchouc

Dimensions

Fig. 1

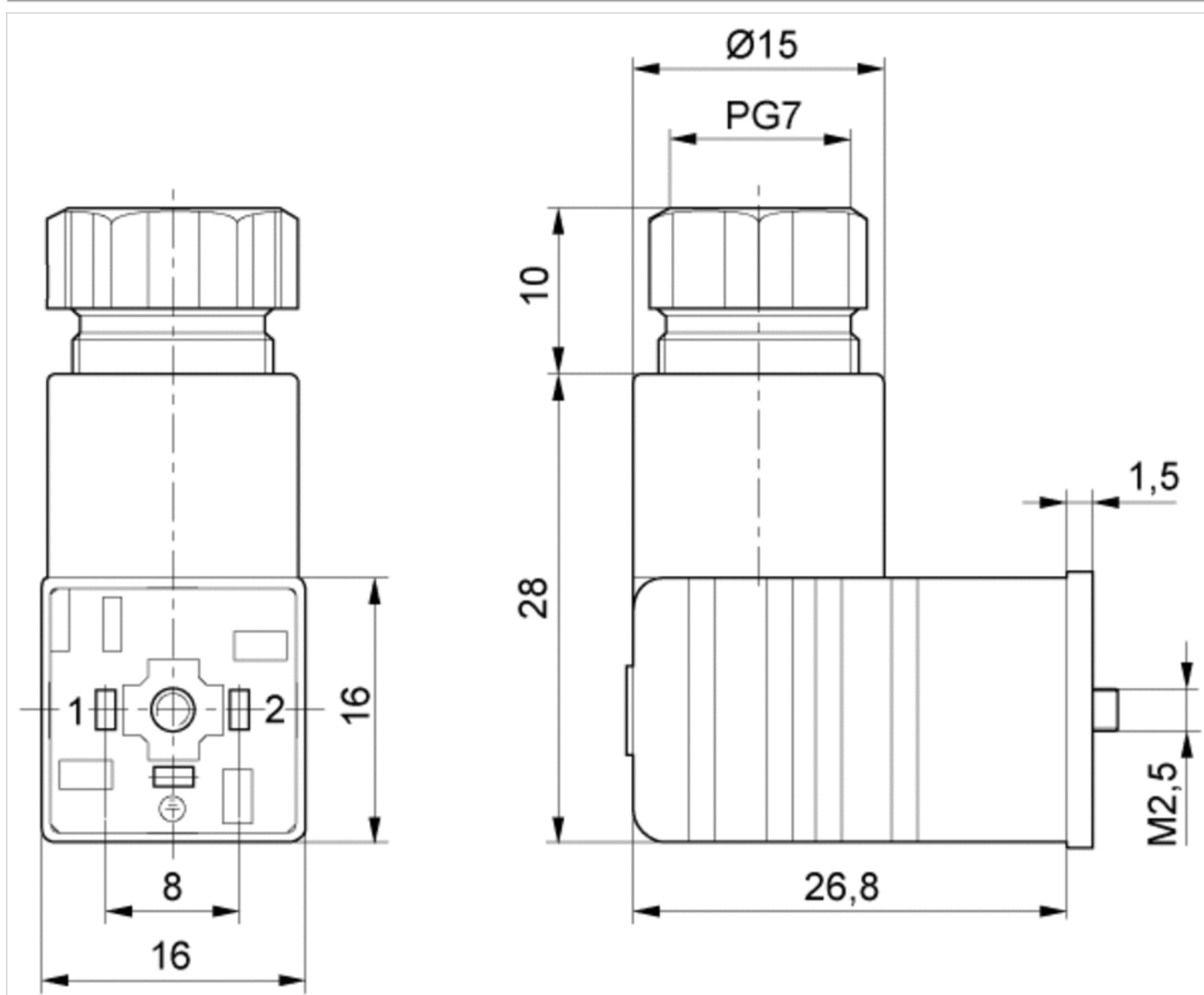


Fig. 2

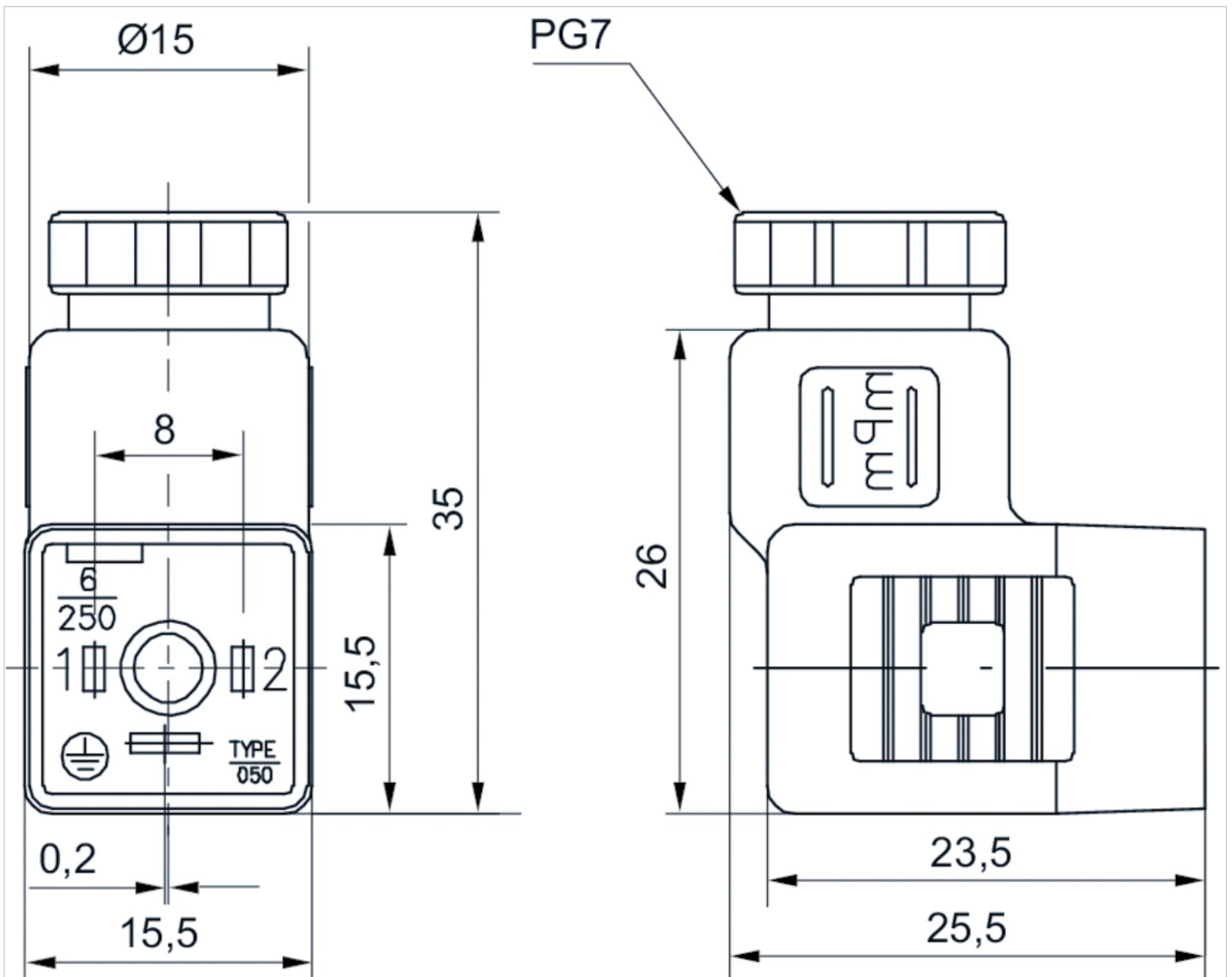
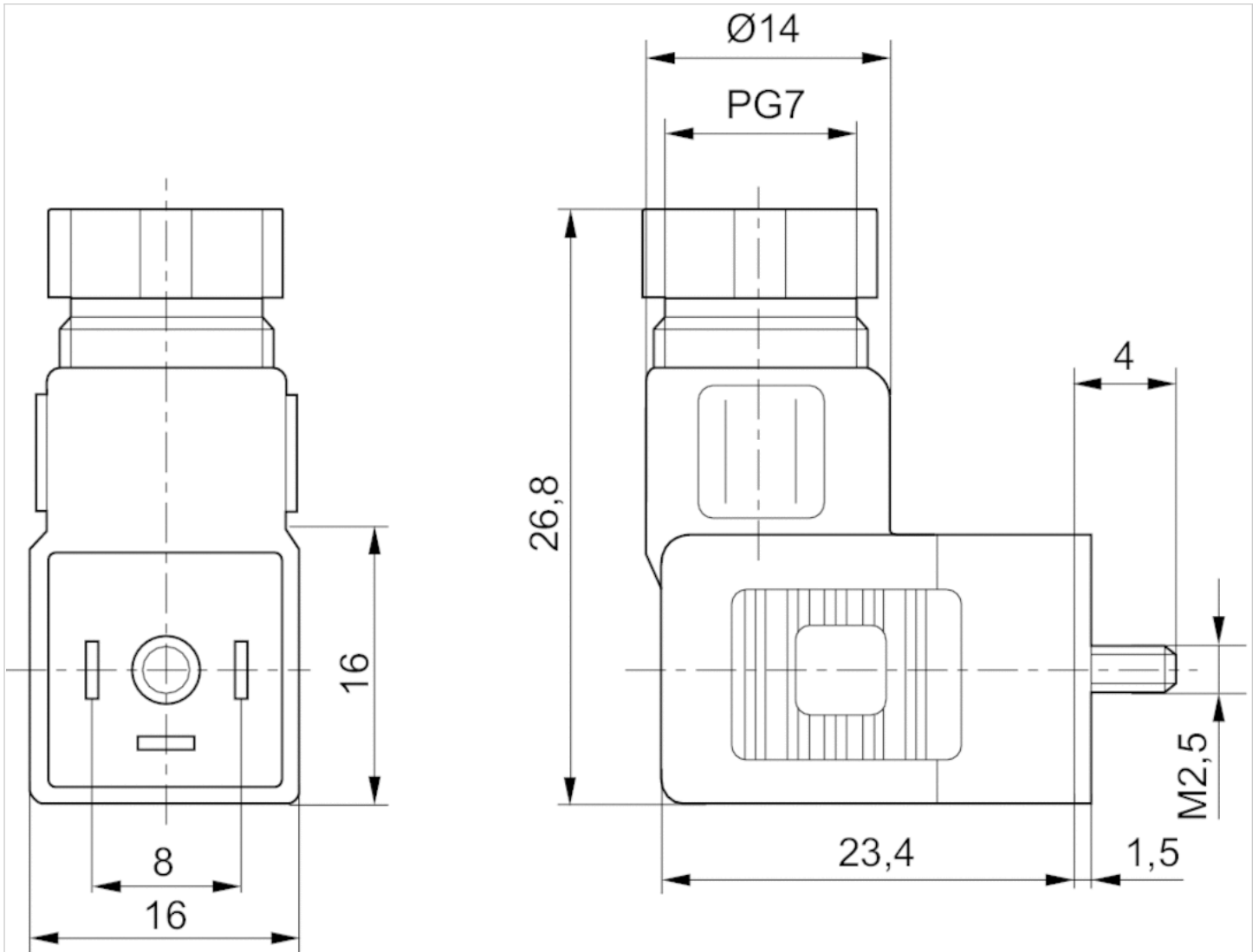


Fig. 3

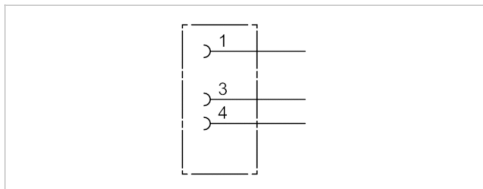


Round plug connector, Series CON-RD

- Socket, M8x1, 3-pin, A-coded, straight, 180°
- UL (Underwriters Laboratories)
- unshielded



| | |
|-------------------------------|---------------|
| Connection type | Soldering |
| Ambient temperature min./max. | -25 ... 80 °C |
| Operational voltage | 48 V AC/DC |
| Protection class | IP67 |
| Weight | 0.009 kg |



Technical data

| Part No. | Max. current | suitable cable-Ø min./max |
|------------|--------------|---------------------------|
| 1834484173 | 4 A | 3.5 / 5 mm |

Technical information

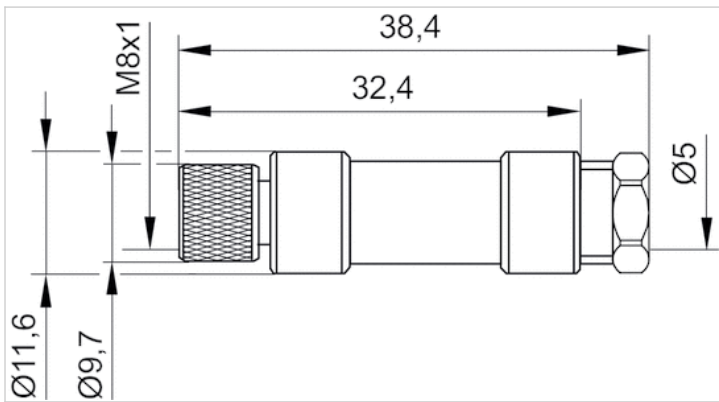
The specified protection class is only valid in assembled and tested state.

Technical information

| Material | |
|----------|-----------|
| Housing | Polyamide |

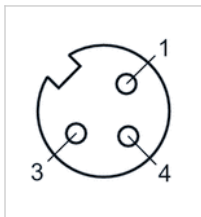
Dimensions

Dimensions



Pin assignments

Pin assignment, socket

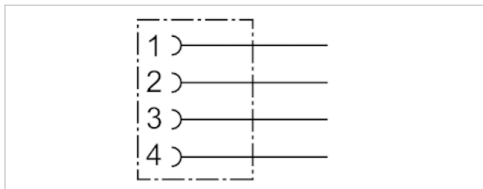


Round plug connector, Series CON-RD

- Socket, M8x1, 4-pin, A-coded, straight, 180°
- UL (Underwriters Laboratories)
- unshielded



| | |
|-------------------------------|---------------|
| Ambient temperature min./max. | -40 ... 85 °C |
| Operational voltage | 48 V AC/DC |
| Protection class | IP67 |
| Weight | 0.009 kg |



Technical data

| Part No. | Max. current | suitable cable-Ø min./max |
|------------|--------------|---------------------------|
| 1834484175 | 4 A | 3.5 / 5 mm |

Technical information

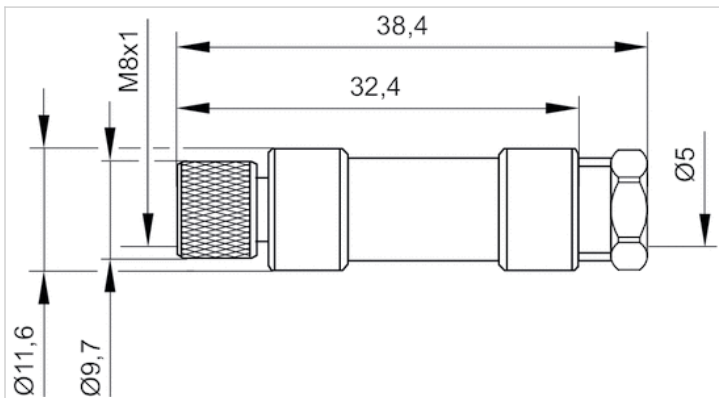
The specified protection class is only valid in assembled and tested state.

Technical information

| Material | |
|----------|-----------|
| Housing | Polyamide |

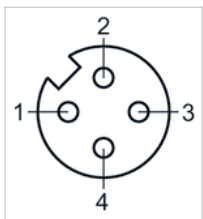
Dimensions

Dimensions



Pin assignments

Pin assignment, socket

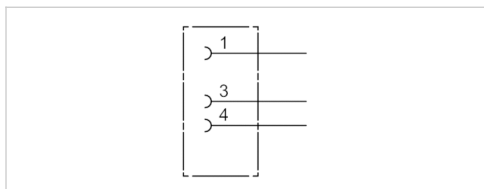


Round plug connector, Series CON-RD

- Socket, M8x1, 3-pin, A-coded, angled, 90°
- UL (Underwriters Laboratories)
- unshielded



| | |
|-------------------------------|---------------|
| Connection type | Soldering |
| Ambient temperature min./max. | -40 ... 85 °C |
| Operational voltage | 48 V AC/DC |
| Protection class | IP67 |
| Weight | 0.01 kg |



Technical data

| Part No. | Max. current | Contact assignment | suitable cable-Ø min./max |
|------------|--------------|--------------------|---------------------------|
| 1834484174 | 4 A | 3 | 3.5 / 5 mm |

Technical information

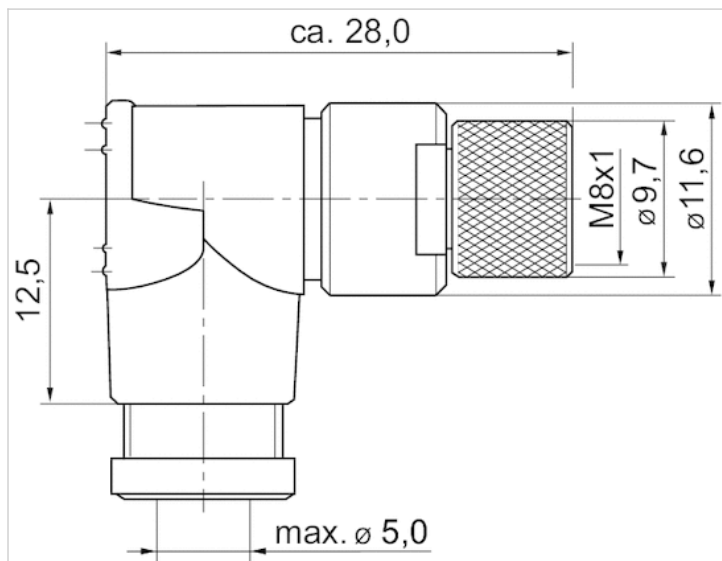
The specified protection class is only valid in assembled and tested state.

Technical information

| Material | |
|----------|-----------|
| Housing | Polyamide |

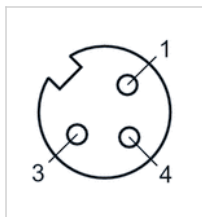
Dimensions

Dimensions



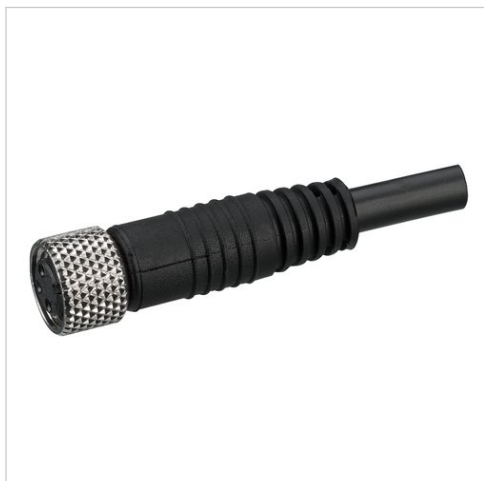
Pin assignments

Pin assignment, socket

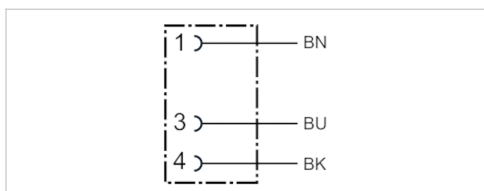


Round plug connector, Series CON-RD

- Socket M8x1 3-pin A-coded straight 180°
- open cable ends
- with cable
- unshielded



| | |
|---------------------|----------------------|
| Operational voltage | 30 / 36 V AC/DC |
| Protection class | IP67 |
| Wire cross-section | 0.34 mm ² |
| Weight | See table below |



Technical data

| Part No. | Max. current | Number of wires | Cable-Ø | Cable length | Weight |
|------------|--------------|-----------------|---------|--------------|----------|
| 8946201312 | 2.5 A | 3 | 3.5 mm | 2 m | 0.066 kg |
| 8946201332 | 2.5 A | 3 | 3.5 mm | 15 m | 0.466 kg |

Technical information

The specified protection class is only valid in assembled and tested state.

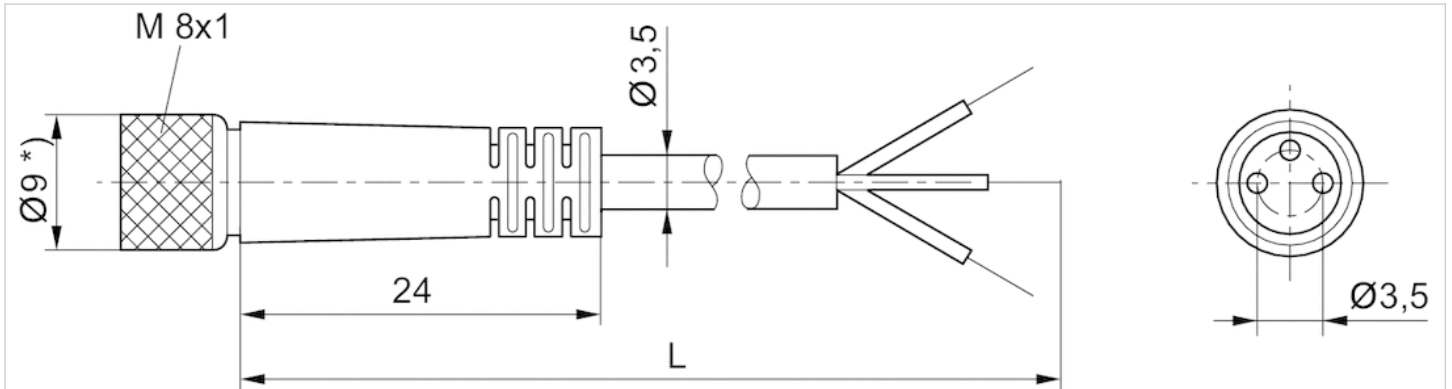
Technical information

Material

| | |
|--------------|--------------------|
| Cable sheath | Polyvinyl chloride |
|--------------|--------------------|

Dimensions

Dimensions

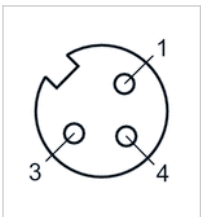


L = length

*) With 15 m cable length $\text{Ø}12$

Pin assignments

Pin assignment, socket



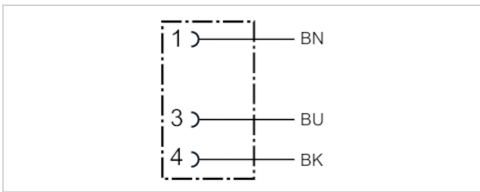
- (1) BN=brown
- (3) BU=blue
- (4) BK=black

Round plug connector, Series CON-RD

- Socket M8x1 3-pin A-coded angled 90°
- open cable ends
- with cable
- unshielded



| | |
|-------------------------------|----------------------|
| Ambient temperature min./max. | -40 ... 85 °C |
| Operational voltage | 48 V AC/DC |
| Protection class | IP67 |
| Wire cross-section | 0.24 mm ² |
| Weight | See table below |



Technical data

| Part No. | Max. current | Number of wires | Cable-Ø | Cable length | Weight |
|------------|--------------|-----------------|---------|--------------|----------|
| 1834484167 | 4 A | 3 | 4.5 mm | 3 m | 0.087 kg |
| 1834484169 | 4 A | 3 | 4.5 mm | 5 m | 0.139 kg |
| 1834484248 | 4 A | 3 | 4.5 mm | 10 m | 0.279 kg |

Technical information

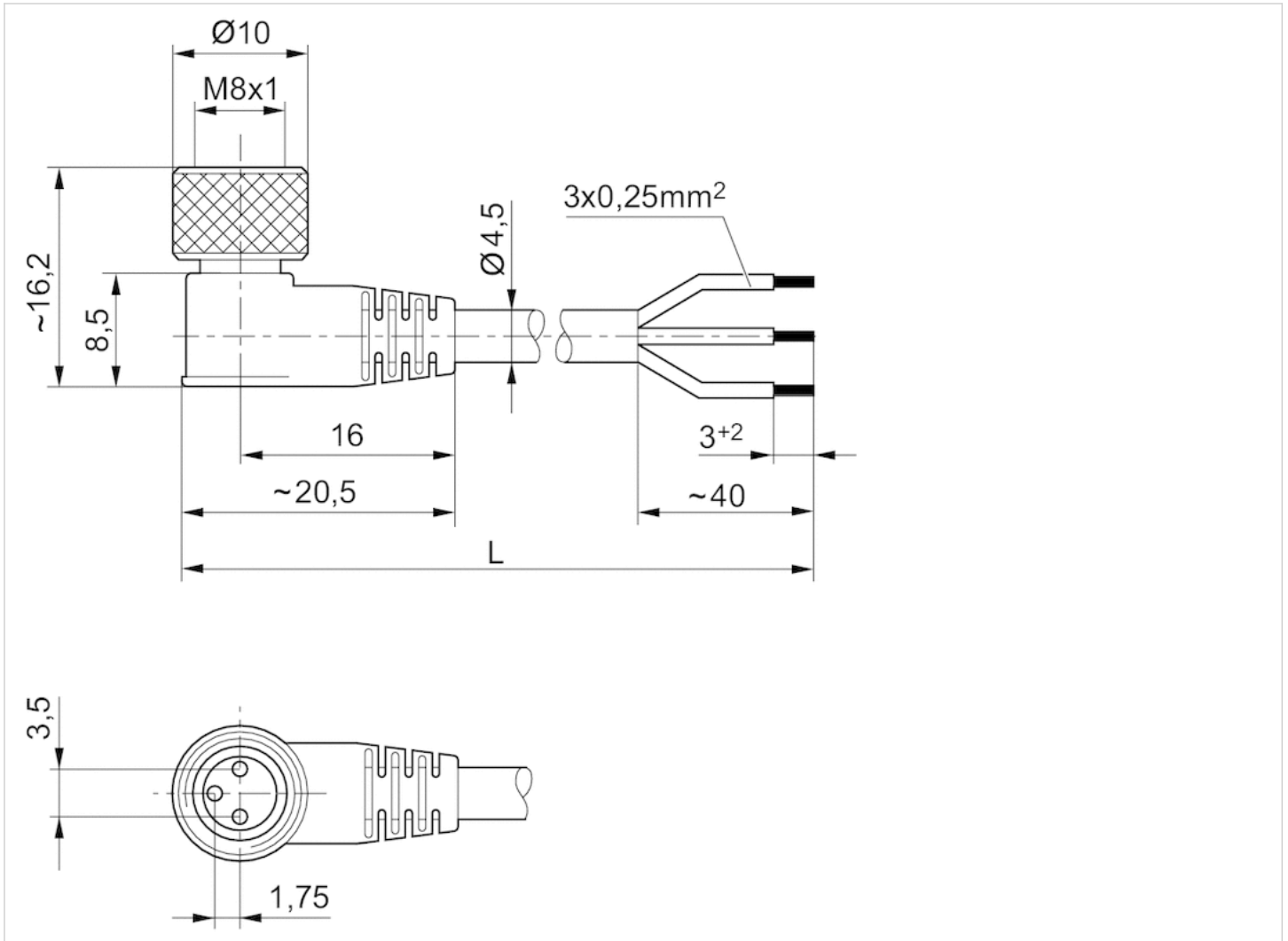
The specified protection class is only valid in assembled and tested state.

Technical information

| Material | |
|--------------|--------------|
| Housing | Polyurethane |
| Cable sheath | Polyurethane |

Dimensions

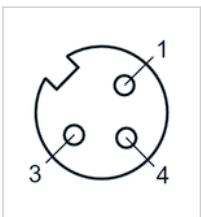
Dimensions



L = length

Pin assignments

Pin assignment, socket



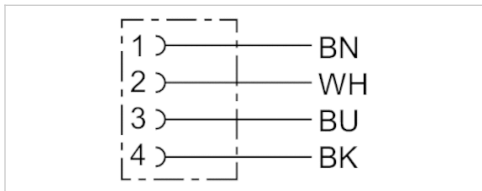
- (1) BN=brown
- (3) BU=blue
- (4) BK=black

Round plug connector, Series CON-RD

- Socket M8x1 4-pin A-coded straight 180°
- open cable ends
- with cable
- UL (Underwriters Laboratories)
- unshielded



| | |
|-------------------------------|----------------------|
| Ambient temperature min./max. | -40 ... 85 °C |
| Operational voltage | 48 V AC/DC |
| Protection class | IP67 |
| Wire cross-section | 0.25 mm ² |
| Weight | See table below |



Technical data

| Part No. | Max. current | Number of wires | Cable-Ø | Cable length | Certification | Weight |
|------------|--------------|-----------------|---------|--------------|--------------------------------|----------|
| 1834484144 | 4 A | 4 | 4.5 mm | 3 m | UL (Underwriters Laboratories) | 0.087 kg |
| 1834484146 | 4 A | 4 | 4.5 mm | 5 m | UL (Underwriters Laboratories) | 0.14 kg |

Technical information

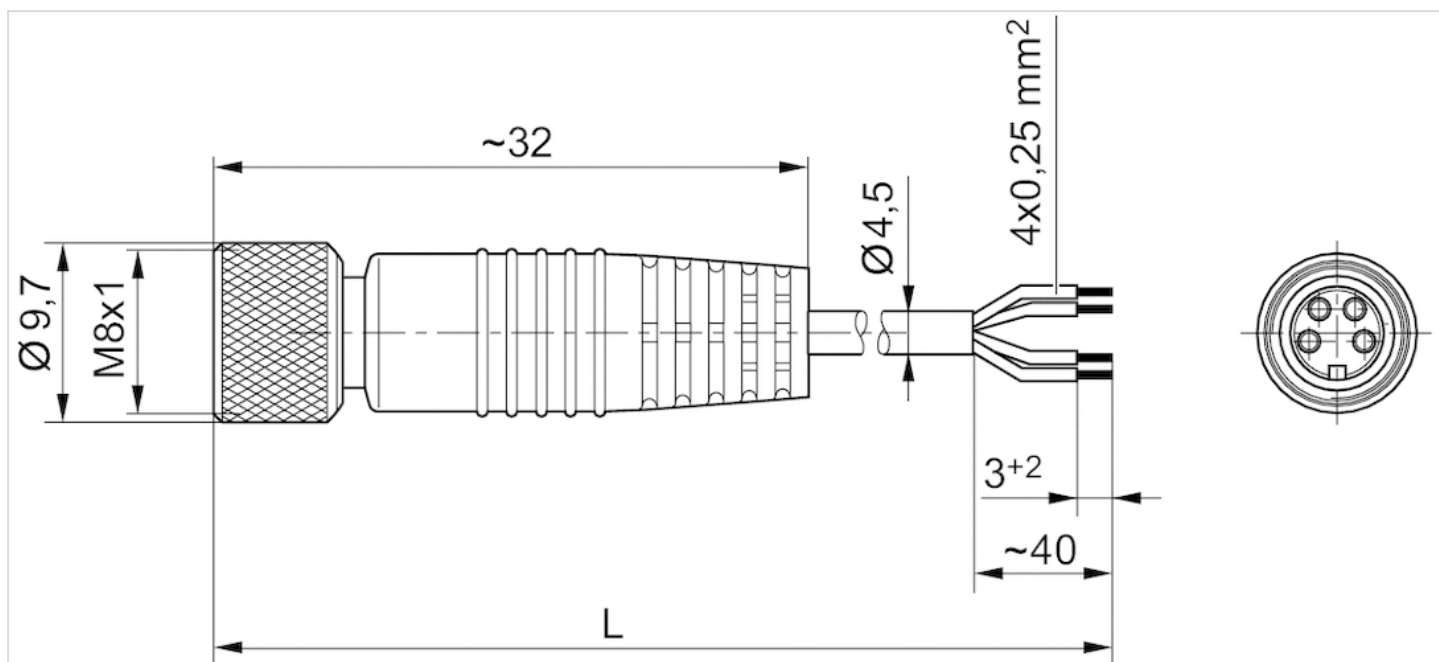
The specified protection class is only valid in assembled and tested state.

Technical information

| Material | |
|--------------|--------------|
| Housing | Polyurethane |
| Cable sheath | Polyurethane |

Dimensions

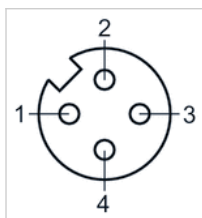
Dimensions



L = length

Pin assignments

Pin assignment, socket



- (1) BN=brown
- (2) WH=white
- (3) BU=blue
- (4) BK=black

Efficient pneumatic solutions, our program: cylinders and drives, valves and valve systems, air supply management



Visit us: Emerson.com/Aventics

Your local contact: Emerson.com/contactus



Emerson.com



[Facebook.com/EmersonAutomationSolutions](https://www.facebook.com/EmersonAutomationSolutions)



[LinkedIn.com/company/Emerson-Automation-Solutions](https://www.linkedin.com/company/Emerson-Automation-Solutions)



[Twitter.com/EMR_Automation](https://twitter.com/EMR_Automation)

An example configuration is depicted on the title page. The delivered product may thus vary from that in the illustration. Subject to change. This Document, as well as the data, specifications and other information set forth in it, are the exclusive property of AVENTICS GmbH. It may not be reproduced or given to third parties without its consent. Only use the AVENTICS products shown in industrial applications. Read the product documentation completely and carefully before using the product. Observe the applicable regulations and laws of the respective country. When integrating the product into applications, note the system manufacturer's specifications for safe use of the product. The data specified only serve to describe the product. No statements concerning a certain condition or suitability for a certain application can be derived from our information. The information given does not release the user from the obligation of own judgment and verification. It must be remembered that the products are subject to a natural process of wear and aging.

The Emerson logo is a trademark and service mark of Emerson Electric Co. Brand logotype are registered trademarks of one of the Emerson family of companies. All other marks are the property of their respective owners. © 2017 Emerson Electric Co. All rights reserved.
2019-03



CONSIDER IT SOLVED™