

EX INDU AMBISTAT

Swiss based Trafag is a leading international supplier of high quality sensors and monitoring instruments for the measurement of pressure and temperature.



Applications

- Ex II 2 G / D

Features

- Compact design
- Rugged housing
- Protection IP65
- Ex db eb IIC T6 Gb
- Ex tb IIIC T80°C Db

Technical Data

Designation of application	Ex Industrial room thermostat	Switching differential	Not adjustable
Measuring range	-30°C ... +30°C to 0°C ... +60°C	Repeatability	± 0.5 % FS typ.
Output signal	Floating change-over contact	Approval / conformity	SEV 15 ATEX 0156 X IECEX SEV 17.0010X

05/2021

Data sheet H72128p

Subject to change

Ordering information/type code

		XXX	XX	XX	XXXXXX	XX
Custom build code	External adjustment	409				
	Internal adjustment	419				
Microswitch	Standard, not adjustable		91			
Range	Range [°C]	Operating temperature [°C]				
	-30 ... +30	-30 ... +40		02		
	+5 ... +35	-30 ... +50		10		
	0 ... +60	-30 ... +60		12		
Sensor¹⁾ / Fixing²⁾	Sensor: Copper; Fixation: Bracket (open sensor coil)				522.27	
	Sensor: Copper nickel plated; Fixation: Bracket (open sensor coil)				523.27	
Accessories	Switchpoint locking ³⁾					15
	Switchpoint fixed and sealed upon customer's request ³⁾					88
	Switchpoint preset upon customer's request, no guarantee on switching accuracy ³⁾					83
	Switchpoint adjustment please indicate when ordering: - Switchpoint [°C] - Increasing or decreasing					

¹⁾ See data sheet www.trafag.com/H72114 and www.trafag.com/H72163

²⁾ See data sheet www.trafag.com/H72106

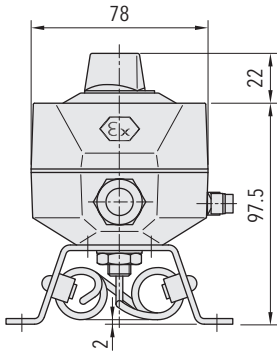
³⁾ Only with type 419, internal adjustment

Standard products (extra short lead time)

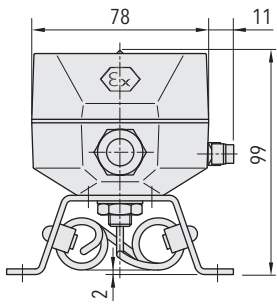
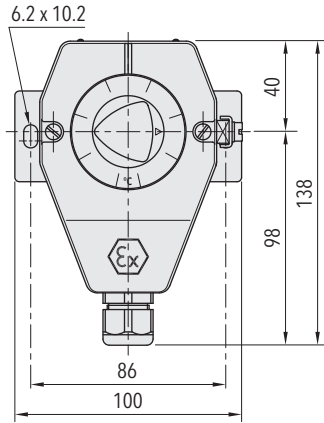
Product No.	Type Code	Temperature range [°C]	Switching differential [°C]	Operating temperature [°C]
EXAS33	419 9102 523 27 0000 0000 02	-30 ... +30	2.5 (fixed)	-30 ... +40
EXAS35	419 9110 523 27 0000 0000 02	+5 ... +35	2.5 (fixed)	-30 ... +50
EXAS60	419 9112 523 27 0000 0000 02	0 ... +60	2.5 (fixed)	-30 ... +60

Specifications		
Accuracy	Repeatability	$\pm 0.5 \% \text{ FS typ.}$
	Scale accuracy typ.	$\pm 2 \% \text{ FS typ.}$
	Switching differential	2.5°C (not adjustable)
Environmental conditions	Ambient temperature	-30°C ... +60°C
	Storage temperature	Range $\leq +45^\circ\text{C}$: -30°C ... +50°C Range $> +45^\circ\text{C}$: -30°C ... +60°C
	Protection	IP65
	Humidity	Max. 95 % relative
	Vibration	5...25 Hz: $\pm 1.6 \text{ mm}$ 25...100 Hz: 4 g
	Shock	50 g / 11 ms
Mechanical data	Sensor housing	See ordering information
	Filling	Liquid
	Housing	AlSi9Cu3, coated
	Screwed cable gland	Polyamide (PA)
	Installation	any position
	Weight	~ 950 g
Microswitch	Rating	See table
	Resistance of insulation	$> 2 \text{ M}\Omega$
	Dielectric strength	1.5 kV
	Life time (mechanical)	1 Mio. cycles
Electrical connection	Cable gland	M20x1.5/SW24 Cable- \varnothing 5.5...13 mm
	Terminal screw	3 x 1 ... 2.5 mm ²

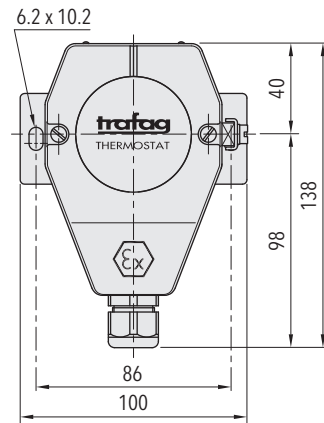
Dimensions



409.91XX.XXX.27...



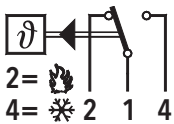
419.91XX.XXX.27...



Electrical data switch

Type	Features	Rating	
		Resistive Load (Inductive Load)	
		AC	DC
91	Standard Ex	250V 5(5) A 125V 5(5) A	250 V 0.25 (0.03) A 125 V 0.5 (0.06) A 75 V 0.75 (0.25) A 50 V 1 (1) A 30 V 5 (3) A 15 V 5 (3) A

Electrical connection



409/419

Additional information

Documents

Data sheet	www.trafag.com/H72128
Instructions	www.trafag.com/H73172
Flyer	www.trafag.com/H70969