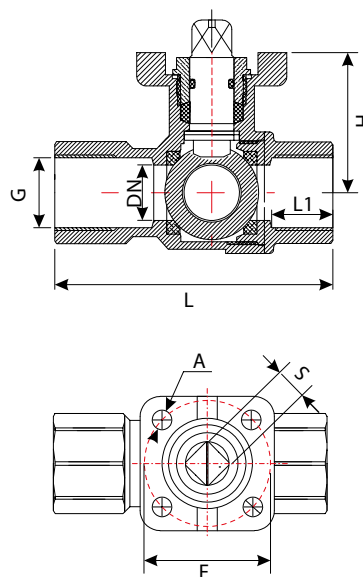
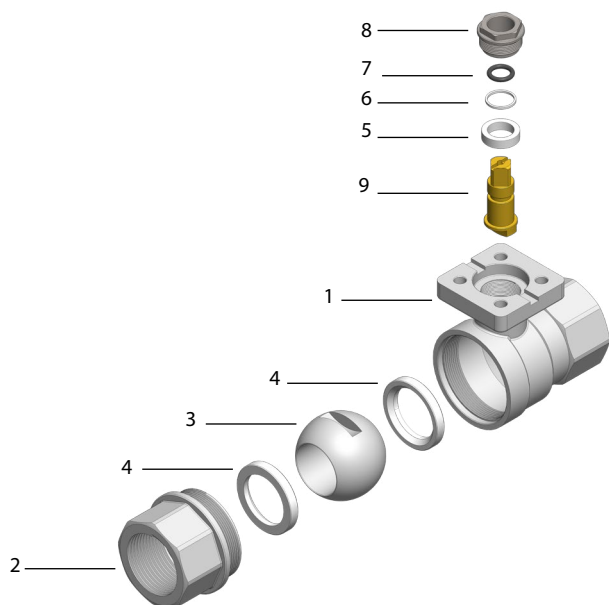


V204 Series ISO5211 Direct Mount Threaded Ball Valves

- Available in sizes ranging from DN15 to DN100 with a two piece body construction.
- Ideally suited to be used as actuated isolation valve in lines containing non-corrosive, smooth chemicals, gases, oils, water & wastewater.
- Built-in ISO5211 mounting pad facilitates direct mounting of actuators.
- Lower Seating / Unseating torques allow more affordable actuators.



ISO5211
Mounting Pad



Material List

No	Part Name	Material	Qty	No	Part Name	Material	Qty	No	Part Name	Material	Qty
1	Body	Nickel Plated Brass	1	4	Ball Seat	PTFE	2	7	O-Ring	NBR	1
2	Cap	Nickel Plated Brass	1	5	Packing	PTFE	1	8	Gland Nut	Brass	1
3	Ball	Nickel Plated Brass	1	6	Thrust Washer	EPDM	1	9	Stem	Brass	1

Dimensions(mm)

Size(DN)	15	20	25	32	40	50	65	80	100
PN	40	40	40	40	40	40	25	25	25
G	1/2"	3/4"	1"	1-1/4"	1-1/2"	2"	2-2/2"	3"	4"
L	75	80	90	112	127	142	161	185	215
L1	16,5	18,5	22	30	30	32	32	34	36
H	38	40	45	55	61	72,5	82,5	95	110
A	5,5	5,5	5,5	5,5	6,7	6,7	6,7	9	9
F	F03	F03	F03	F05	F05	F05	F07	F07	F07
S	9	9	9	11	11	14	14	14	17
Net Unit Weight (kg)	0,33	0,45	0,65	1,10	1,50	2,30	3,25	5,60	9,40



Pneumatically Actuated Brass
Threaded Ball Valve



Electric Actuator Op. Brass
Threaded Ball Valve