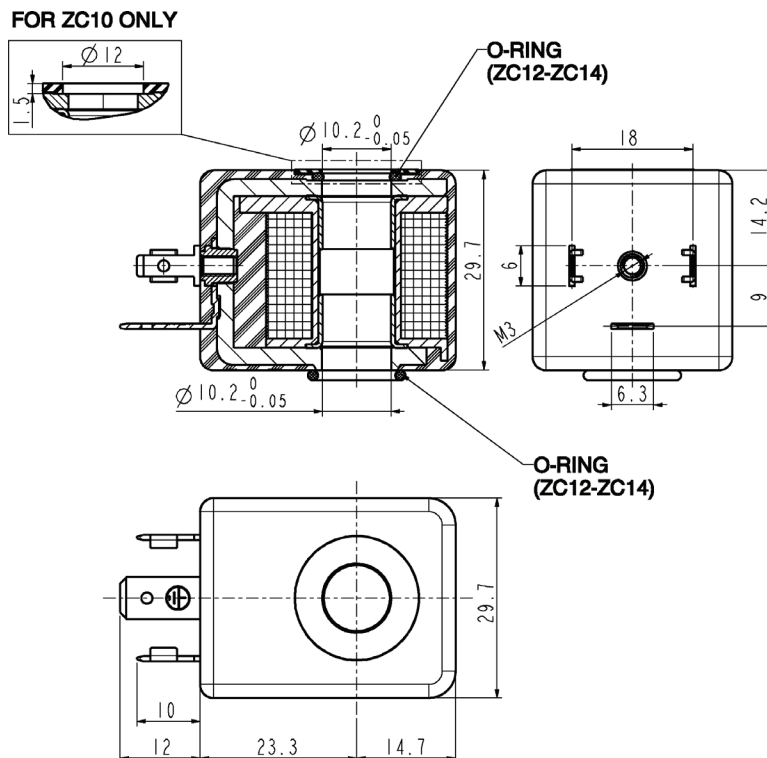


# ASCO™ COIL

## SPADE TERMINALS (DIN 46340)

**SERIES**  
**ZC**



### General Features

Complying with 2014/35/EU (LVD) and 2014/30/EU (EMC) directives.  
Product in accordance with the RoHS 2 directive.  
100% inspected.

### Electric Connections

Spade terminals 6,3 x 0,8 (DIN46340), 2 line + 1 earth terminals.  
3 poles plug connector (DIN 43650).

Technical Features	ZC10	ZC12	ZC14
Encapsulation material	PA (Polyamide) fiberglass reinforced	PET (polyethylene-terephthalate) fiberglass reinforced	PET (polyethylene-terephthalate) fiberglass reinforced
Insulation class	F (155°C)	F (155°C)	H (180°C)
Ambient temperature	-10°C +60°C	-10°C +60°C	-10°C +75°C
Continuous duty	ED 100%		
Protection degree	IP 65 (EN 60529) with plug connector	IP 67 (EN 60529) with plug connector	IP 67 (EN 60529) with plug connector
Voltages	DC	12-24V (+10% -5%)	
	AC	24V/50-60Hz - 115V/50Hz - 230V/50-60Hz (+10% -15%) (Other voltages and frequencies on request)	

Type	Power absorption			DC	Notes	Weight (kg)
	AC		W			
	Inrush VA	Holding VA				
ZC10A	10	6	3,5	5,5	1	0,11
ZC12A						
ZC14A						
ZC10C	7	3,5	2	3,5		
ZC12C						
ZC14C						

### Notes

1 - ZC12 and ZC14 coils fitted with sealing gaskets underneath and on the upper part (see drawing)