



Differential pressure transmitter

Huba Control

Relative and differential pressure transmitter

Type 699



The type 699 transmitters are available in switchable pressure ranges and with or without display. The full-version includes customer specific adjustment possibilities. Especially developed sensors for each pressure range ensure accurate long term stable measurement and the large variety of options provide the perfect platform for use in air conditioning technology as well as for fine measurement in the industrial and medical environment.

Pressure range

-1 ... 1 mbar /

0 ... 0.3 – 50 mbar

- + Available with or without LCD display
- + Adjustable measurement range
- + Switchable output signals
- + Switchable response curve (linear or root-extracted)
- + Resettable Zero Point (Reset button)
- + Full scale adjustable
- + Attractive price / performance ratio
- + Application at over and low pressure range possible
- + Fast, easy mounting. Housing incorporates integral bracket for wall or ceiling mounting

Technical overview

Pressure range

Relative and differential -1 ... 1 mbar / 0 ... 0.3 - 50 mbar

Operating conditions

Medium		Air and neutral gases	
Temperature	Medium / ambient	0 ... +70 °C	
	Storage	-10 ... +70 °C	
	No condensation		
Tolerable overload on one side	Application at over pressure range	≤ 3 mbar	P1 = 50 mbar P2 = 4 mbar
		> 3 mbar	P1 = 100 mbar P2 = 4 mbar
	Application at under pressure range	≤ 3 mbar	P1 = -4 mbar P2 = -50 mbar
		> 3 mbar	P1 = -4 mbar P2 = -100 mbar
Rupture pressure	ambient temperature	2 x overload	
	70 °C	1.5 x overload	

Materials in contact with medium

Sensor	Ceramic Al ₂ O ₃ (96%)
Diaphragm	Silicone
Housing	Polycarbonat PC

Electrical overview

2 wire	Output ¹⁾ 4 ... 20 mA	Power supply ¹⁾ 8.0 ... 33 VDC	Load < $\frac{\text{supply voltage} - 5V}{0.025}$ [Ohm]	Current consumption ²⁾ < 20 mA
3 wire	0 ... 10 V	13.5 ... 33 VDC / 24 VAC ±15%	> 10 kOhm	< 10 mA
	0 ... 20 mA	13.5 ... 33 VDC / 24 VAC ±15%	< 500 Ohm	< 30 mA
	4 ... 20 mA	13.5 ... 33 VDC / 24 VAC ±15%	< 500 Ohm	< 30 mA
	0 ... 5 V ³⁾	6.5 ... 33 VDC / 24 VAC ±15%	> 10 kOhm	< 10 mA
Filter			Response time switchable by	off / 0.2s / 1s / 5s / 20s
Polarity reversal protection	Short circuit proof and protected against polarity reversal. Each connection is protected against crossover up to max. supply voltage.			

Dynamic response

Response time	< 20 ms
Load cycle	< 10 Hz

Protection standard

Without cover	IP 00
With cover	IP 54
	IP 65

Display

LCD Display	Double spaced	per 8 digit alphanumeric
Module MODBUS	At additional backlight LCD-Display 30 mA current consumption RTU RS-485	

Ranges of adjustment

The zero point is adjustable by reset button.
The Full scale is adjustable by DIP-Switch and additional by the turbopoti.

Adjustability

Optional version with self configurable parameters (see order code selection table)

Electrical connection

Screw terminals for wire and stranded conductors up to 1.5 mm²
Cable gland with built-in strain relief PG11

Pressure connection

Connection pipe	Ø 6.2 mm
-----------------	----------

Mounting instructions

Installation arrangement	Recommendation: Vertical, (Factory calibration) with pressure connections downwards
Mounting	Mounting bracket (integrated in case)

Tests / Admissions

UL	
Electromagnetic compatibility	CE-conformity acc. EN 61326-2-3

Weight

Without display	~ 90 g
With display	~ 100 g

Packaging

Single packaging in cardboard	
Multiple packaging	20 / 40 / 120

Accuracy

Parameter	Unit	±0.5 mbar	0 ... 1 mbar	0 ... 3 mbar	0 ... 5 mbar	0 ... 10 - 50 mbar
Tolerance zero point	max. % fs	±1.0	±1.0	±0.7	±0.7	±0.7
Tolerance zero full scale	max. % fs	±1.0	±1.0	±0.7	±0.7	±0.7
Resolution	% fs	0.2	0.2	0.1	0.1	0.1
Total of linearity, hysteresis and repeatability	max. % fs	±1.0	±1.0	±1.0	±1.0	±0.6
Long term stability acc. to DIN EN 60770	% fs	±1.0	±1.0	±1.0	±1.0	±1.0
TC zero point ⁴⁾	typ. % fs/10K	±0.2	±0.2	±0.2	±0.1	±0.1
TC zero point ⁴⁾	max. % fs/10K	±1.0	±1.0	±0.5	±0.4	±0.4
TC sensitivity ⁴⁾	typ. % fs/10K	±0.3	±0.3	±0.2	±0.1	±0.1
TC sensitivity ⁴⁾	max. % fs/10K	±0.6	±0.6	±0.5	±0.5	±0.2

- no additional root-extracted errors
- For changing diaphragm position, compensable with zero point reset

Test conditions: 25 °C, 45% rF, Power supply 24 VDC
TC z.p. / TC z.p. 0 ... 70 °C

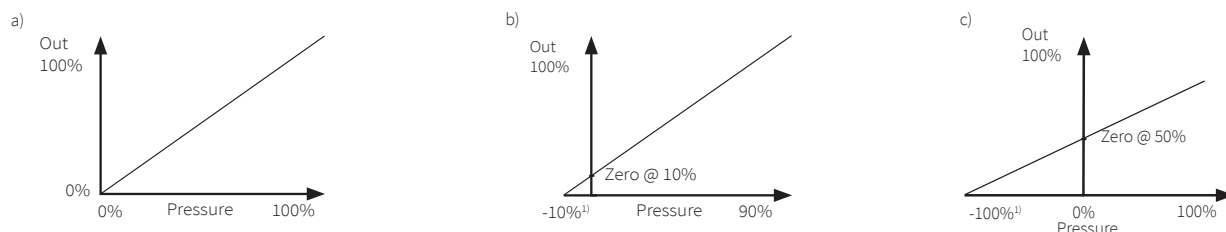
¹⁾ Adjustable by DIP-Switch
⁴⁾ TC = Temperature coefficient

²⁾ At nominal pressure

³⁾ Additional adjustable by software (with LCD-Display only)

						1	2	3	4	5	6	7	8	9	10		
Order code selection table						699.	X	X	X	X	X	X	X	X	X		
Pre-adjustment	max. range					9											
	middle range (factory setting)					B											
	min. range (factory setting)					C											
Signal range selectable	Pressure range of 0% to 100% fs					1											
	Pressure range of -10% to 90% fs					2											
	Pressure range of -100% to 100% fs					3											
Pressure range selectable	mbar (hPa)	Pa	mmWS	inH₂O	under pressure max.												
	0 ... 0.3/0.5	30/50	3/5	0.1/0.2	-50 Pa	0											
	0 ... 0.3/0.5/1	30/50/100	3/5/10	0.1/0.2/0.3	-100 Pa	1											
	0 ... 0.5/1/3	50/100/300	5/10/30	0.3/0.5/1	-50 Pa	2											
	0 ... 1/3/5	100/300/500	10/30/50	0.5/1/2	-50 Pa	3											
	0 ... 3/5/10	300/500/1000	30/50/100	1/2/3	-50 Pa	4											
	0 ... 5/10/16	500/1000/1600	50/100/160	2/3/5	-50 Pa	5											
	0 ... 10/16/25	1000/1600/2500	100/160/250	3/5/10	-50 Pa	6											
0 ... 16/25/50	1600/2500/5000	160/250/500	5/10/20	-50 Pa	7												
Pressure unit	mbar									0							
	hPa									4							
	Pa									2							
	kPa									5							
	mmWS									3							
	inH ₂ O									6							
Output signal / adjustment	Linear	without Filter		dual DIP-Switch						1		0					
		with Filter (transposable)		tenfold DIP-Switch						2							
	Square root extracted	without Filter		dual DIP-Switch						4		0					
		with Filter (transposable)		tenfold DIP-Switch						3							
Output / power supply	0 ... 10V	13.5 ... 33 VDC / 24 VAC ± 15 %		(3 wire)							1						
	0 ... 20 mA	13.5 ... 33 VDC / 24 VAC ± 15 %		(3 wire)							3						
	4 ... 20 mA	13.5 ... 33 VDC / 24 VAC ± 15 %		(3 wire)								4					
		8.0 ... 33 VDC		(2 wire)								5					
Output signal complimentary selectable, at delivery no pre-adjustment						9				2	6						
Option	without display												0				
	with display in pressure unit chosen above												1				
	with display in % fs												2				
	with module MODBUS									2,3	1	3					
Pressure connection / Pressure orifices	Connection pipe Ø 6.2 mm		without pressure orifice											1			
			pressure orifice on P1											2			
			pressure orifice on P2													3	
			pressure orifice on P1 and P2														4
Accessories / Connection Kit	IP 54	without													0		
		with connection kit (metal), 90° angled including tube 2 m long (Fig. 1)														1	
		with connection kit (plastic), straight including tube 2 m long (Fig. 2)														2	
	IP 65	without														3	
		with connection kit (metal), 90° angled including tube 2 m long (Fig. 1)														4	
with connection kit (plastic), straight including tube 2 m long (Fig. 2)														5			
Pressure range variation (optional)	Indicate W and state range on order (e.g.: W0 ... + 8mbar/OUT1...6V)					9	1								W		

Range of characteristic line



Depending on the version parameters are adjustable by customer

Version	Variable parameters
Dual DIP-Switch	Pressure ranges in grades
Tenfold DIP-Switch	Pressure ranges in grades; stepless adjustable with Turbo-Poti / output signals / filter (off / on) / response curve (linear / root extracted)
Tenfold DIP-Switch with Display	Pressure ranges in grades; stepless adjustable with Turbo-Poti / pressure units / pressure range character / output signals; additional 0 ... 5 V / filter (off / 0.2s / 1s / 5s / 20s) / response curve (linear / root extracted) / backlight (off / 5min / on)

Accessories ²⁾

	Order number
Connection kit for vent duct (metal), 90° angled including tube 2 m long (Fig. 1)	104312
Connection kit for vent duct (plastic), straight including tube 2 m long (Fig. 2)	100064
DIN-rail mounting adaptor (Fig. 3)	112854
Module MODBUS	117305
Calibration certificate	104551

¹⁾ under pressure max. acc. order code selection table = -50 Pa / 100 Pa

²⁾ Accessories supplied loose

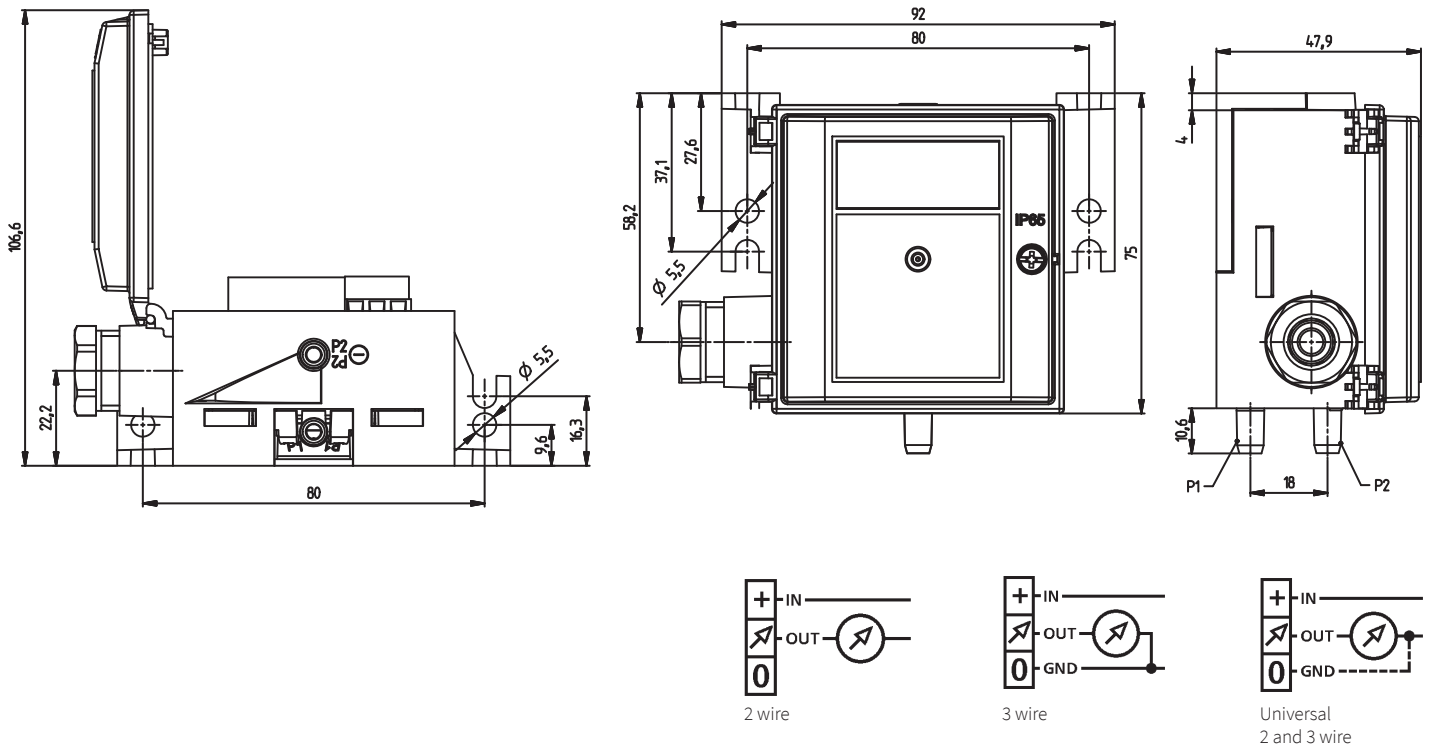
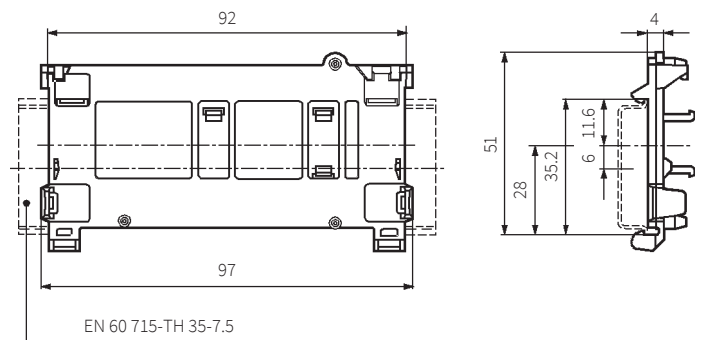
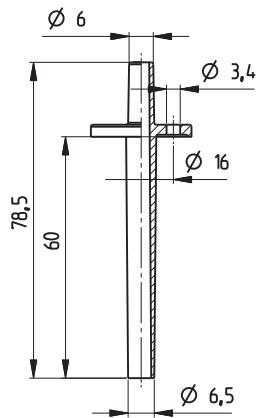
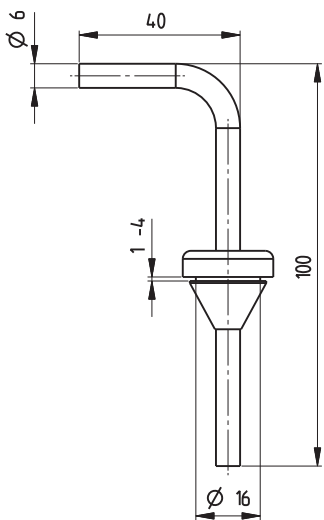


Fig. 1

Fig. 2

Fig. 3



Huba Control AG

Headquarters Schweiz
Industriestrasse 17
CH-5436 Würenlos
Telefon +41 56 436 82 00
Fax +41 56 436 82 82
info.ch@hubacontrol.com

Huba Control AG

Niederlassung Deutschland
Schlattgrabenstrasse 24
D-72141 Walddorfhäslach
Telefon +49 7127 2393 00
Fax +49 7127 2393 20
info.de@hubacontrol.com

Huba Control AG

Vestiging Nederland
Hamseweg 20A
NL-3828 AD-Hoogland
Telefoon +31 33 433 03 66
Telefax +31 33 433 03 77
info.nl@hubacontrol.com

Huba Control SA

Succursale France
Rue Lavoisier
Technopôle Forbach-Sud
F-57602 Forbach Cedex
Téléphone +33 3 87 84 73 00
Télécopieur +33 3 87 84 73 01
info.fr@hubacontrol.com

Huba Control AG

Branch Office United Kingdom
Unit 13 Berkshire House, County Park
Business Centre, Shivenham Road
Swindon - Wiltshire SN1 2NR
Phone +44 1993 77 66 67
Fax +44 1993 77 66 71
info.uk@hubacontrol.com

www.hubacontrol.com

