

Pressure regulator, Series AS2-RGS





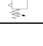
- G 1/4 G 3/8
- Qn = 2200-2700 l/min
- Standard pressure regulator
- Activation Mechanical
- lockable
- for padlocks
- suitable for ATEX



Parts	Pressure regulator
Mounting orientation	Any
Certificates	suitable for ATEX
Working pressure min./max.	See table below
Ambient temperature min./max.	-10 ... 50 °C
Medium temperature min./max.	-10 ... 50 °C
Medium	Compressed air Neutral gases
Regulator type	Diaphragm-type pressure regulator Can be assembled into blocks
Regulator function	with relieving air exhaust
Adjustment range min./max.	See table below
Lock type	for padlocks
Pressure supply	single
Activation	Mechanical
Weight	See table below

Technical data

Part No.			Port	Flow	Working pressure min./max.	Adjustment range min./max.
				Qn		
R412006101			G 1/4	2200 l/min	0,1 ... 16 bar	0,1 ... 1 bar
R412006103			G 1/4	2200 l/min	0,1 ... 16 bar	0,1 ... 2 bar
R412006105			G 1/4	2200 l/min	0,2 ... 16 bar	0,2 ... 4 bar
R412006107			G 1/4	2200 l/min	0,5 ... 16 bar	0,5 ... 8 bar
R412006109			G 1/4	2200 l/min	0,5 ... 16 bar	0,5 ... 10 bar
R412006111			G 1/4	2200 l/min	0,5 ... 16 bar	0,5 ... 16 bar
R412006100		—	G 1/4	2200 l/min	0,1 ... 16 bar	0,1 ... 1 bar
R412006102		—	G 1/4	2200 l/min	0,1 ... 16 bar	0,1 ... 2 bar
R412006104		—	G 1/4	2200 l/min	0,2 ... 16 bar	0,2 ... 4 bar
R412006106		—	G 1/4	2200 l/min	0,5 ... 16 bar	0,5 ... 8 bar
R412006108		—	G 1/4	2200 l/min	0,5 ... 16 bar	0,5 ... 10 bar
R412006110		—	G 1/4	2200 l/min	0,5 ... 16 bar	0,5 ... 16 bar
R412006113			G 3/8	2700 l/min	0,1 ... 16 bar	0,1 ... 1 bar
R412006115			G 3/8	2700 l/min	0,1 ... 16 bar	0,1 ... 2 bar
R412006117			G 3/8	2700 l/min	0,2 ... 16 bar	0,2 ... 4 bar
R412006119			G 3/8	2700 l/min	0,5 ... 16 bar	0,5 ... 8 bar
R412006121			G 3/8	2700 l/min	0,5 ... 16 bar	0,5 ... 10 bar
R412006123			G 3/8	2700 l/min	0,5 ... 16 bar	0,5 ... 16 bar
R412006112		—	G 3/8	2700 l/min	0,1 ... 16 bar	0,1 ... 1 bar
R412006114		—	G 3/8	2700 l/min	0,1 ... 16 bar	0,1 ... 2 bar

Part No.			Port	Flow	Working pressure min./max.	Adjustment range min./max.
				Qn		
R412006116		—	G 3/8	2700 l/min	0,2 ... 16 bar	0,2 ... 4 bar
R412006118		—	G 3/8	2700 l/min	0,5 ... 16 bar	0,5 ... 8 bar
R412006120		—	G 3/8	2700 l/min	0,5 ... 16 bar	0,5 ... 10 bar
R412006122		—	G 3/8	2700 l/min	0,5 ... 16 bar	0,5 ... 16 bar
R414012351		—	G 1/4	2200 l/min	0,5 ... 16 bar	0,5 ... 8 bar

Part No.	Pressure gauge	Weight	Fig.	
R412006101	with pressure gauge	0,32 kg	Fig. 1	1)
R412006103	with pressure gauge	0,32 kg	Fig. 1	1)
R412006105	with pressure gauge	0,32 kg	Fig. 1	1)
R412006107	with pressure gauge	0,32 kg	Fig. 1	1)
R412006109	with pressure gauge	0,32 kg	Fig. 1	1)
R412006111	with pressure gauge	0,32 kg	Fig. 1	1)
R412006100	-	0,248 kg	Fig. 1	2)
R412006102	-	0,248 kg	Fig. 1	2)
R412006104	-	0,248 kg	Fig. 1	2)
R412006106	-	0,248 kg	Fig. 1	2)
R412006108	-	0,248 kg	Fig. 1	2)
R412006110	-	0,248 kg	Fig. 1	2)
R412006113	with pressure gauge	0,32 kg	Fig. 2	1)
R412006115	with pressure gauge	0,32 kg	Fig. 2	1)
R412006117	with pressure gauge	0,32 kg	Fig. 2	1)
R412006119	with pressure gauge	0,32 kg	Fig. 2	1)
R412006121	with pressure gauge	0,32 kg	Fig. 2	1)
R412006123	with pressure gauge	0,32 kg	Fig. 2	1)
R412006112	-	0,248 kg	Fig. 2	2)
R412006114	-	0,248 kg	Fig. 2	2)
R412006116	-	0,248 kg	Fig. 2	2)
R412006118	-	0,248 kg	Fig. 2	2)
R412006120	-	0,248 kg	Fig. 2	2)
R412006122	-	0,248 kg	Fig. 2	2)
R414012351	-	0,332 kg	Fig. 1	3)

Nominal flow Qn with secondary pressure p2 = 6 bar at $\Delta p = 1$ bar

- 1) Pressure gauge enclosed separately, Suitable for use in Ex zones 1, 2, 21, 22., With rear exhaust (> 3 bar).
- 2) Order pressure gauge separately, Suitable for use in Ex zones 1, 2, 21, 22., With rear exhaust (> 3 bar).
- 3) Order pressure gauge separately, Suitable for use in Ex zones 1, 2, 21, 22. Safe rear exhaust in case of drop (removal) of pilot pressure.

Technical information

The pressure dew point must be at least 15 °C under ambient and medium temperature and may not exceed 3 °C .

The rear pressure gauge connection on the pressure regulator is closed with a blanking plug, the front connection is open. Depending on the customer application, a second blanking plug may be necessary. Please order separately (see accessories).

Suitable for use in Ex zones 1, 2, 21, 22.

A change in the flow direction (from air supply on the left to air supply on the right) occurs by rotating installation by 180° about the vertical axis. Please see the operating instructions for further details.

Relieving exhaust (≤ 0.3 bar over set pressure).

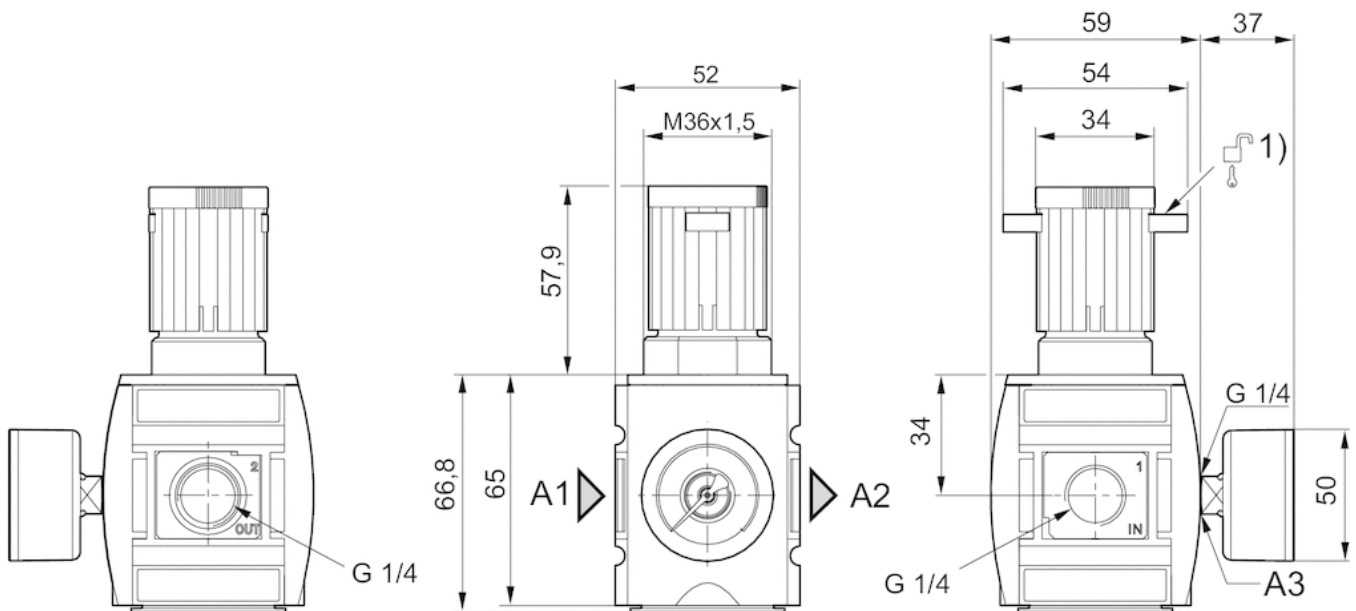
With rear exhaust (> 3 bar).

Technical information

Material	
Housing	Polyamide
Front plate	Acrylonitrile butadiene styrene
Seals	Acrylonitrile butadiene rubber
Threaded bushing	Die cast zinc

Dimensions

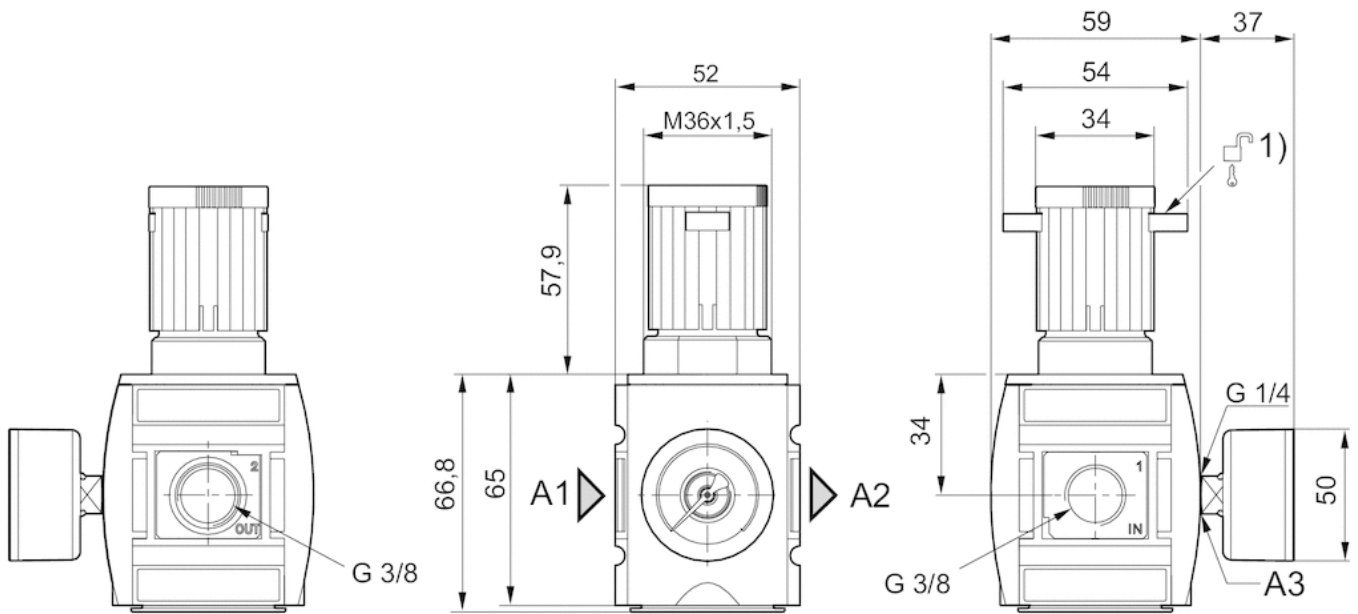
Dimensions in mm, Fig. 1



A1 = input

A2 = output
 A3 = pressure gauge connection
 1) Mounting option for padlocks, max. shackle Ø 8

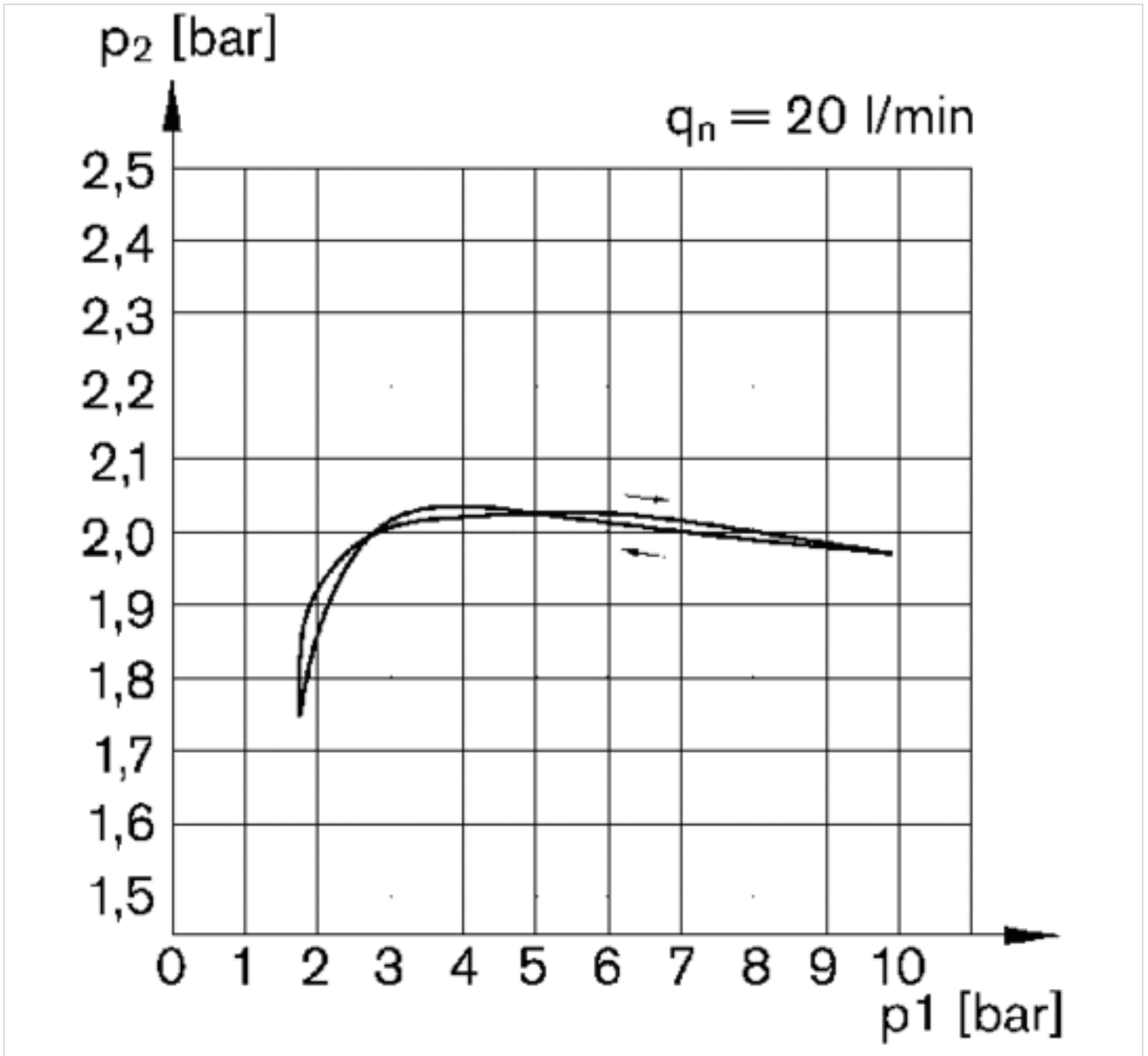
Dimensions in mm, Fig. 2



A1 = input
 A2 = output
 A3 = pressure gauge connection
 1) Mounting option for padlocks, max. shackle Ø 8

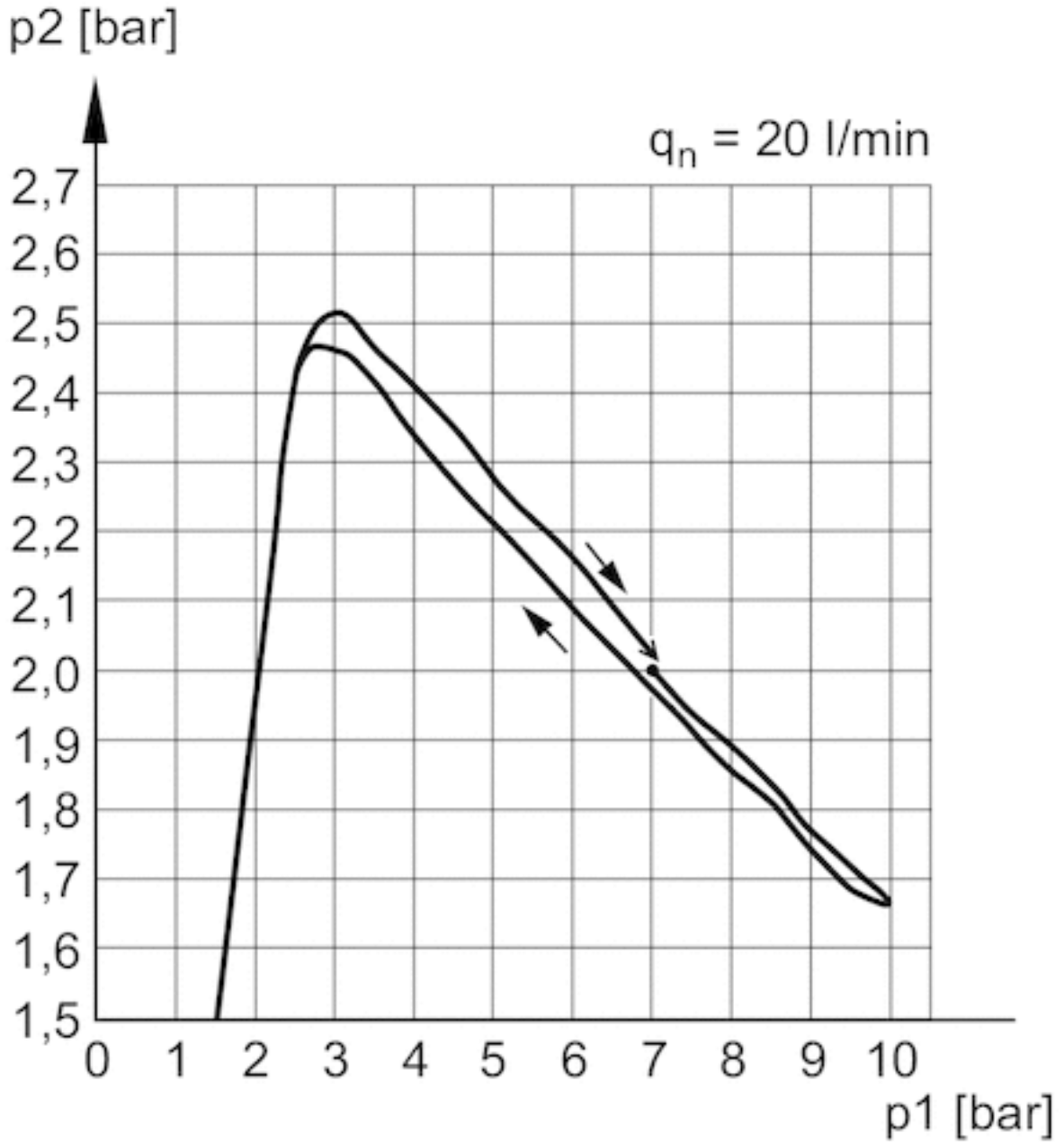
Diagrams

Pressure characteristics curve, Standard version



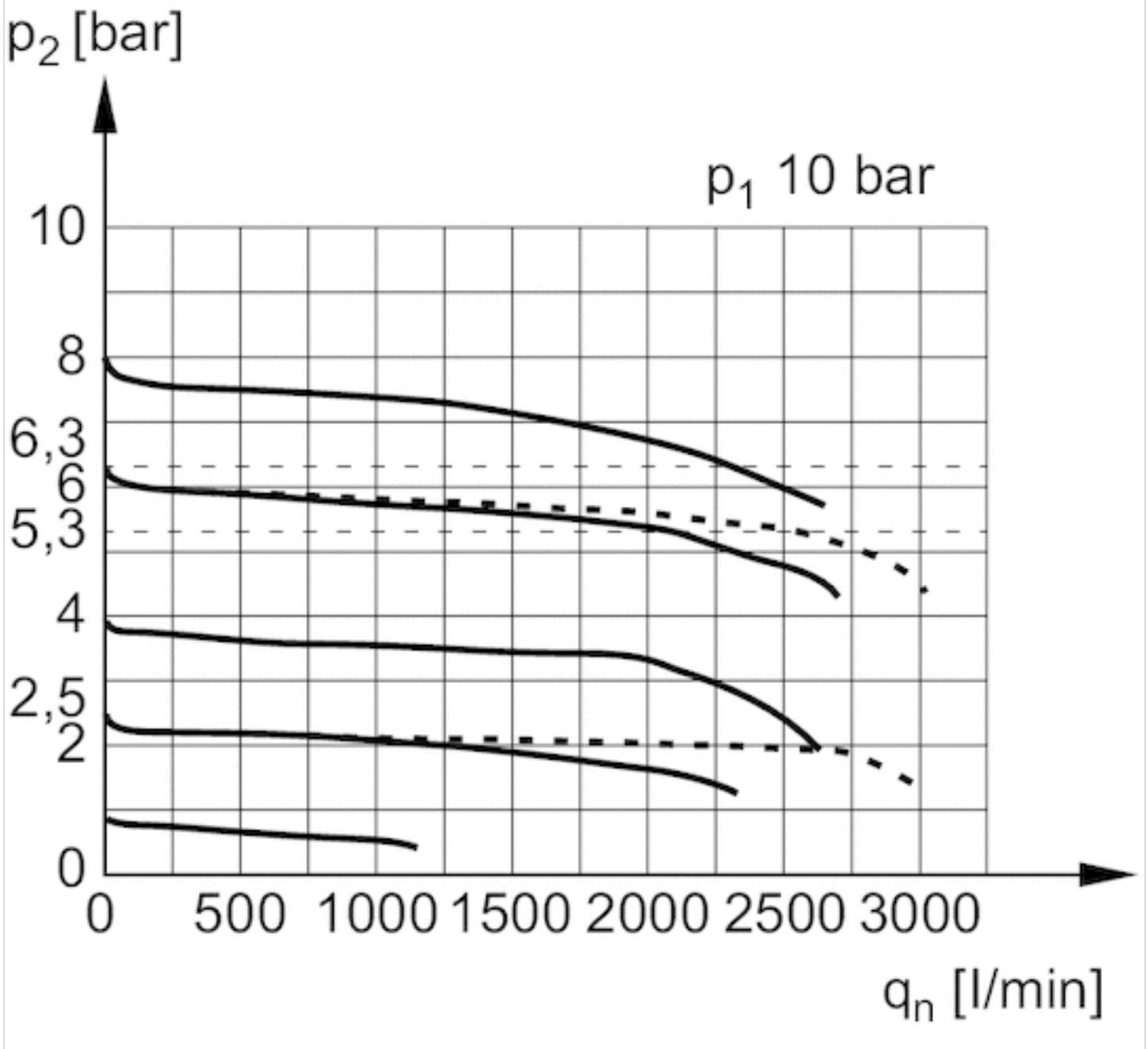
p_1 = Working pressure
 p_2 = Secondary pressure
 q_n = Nominal flow

Pressure characteristics curve, Version with safe rear exhaust in case of drop (removal) of pilot pressure



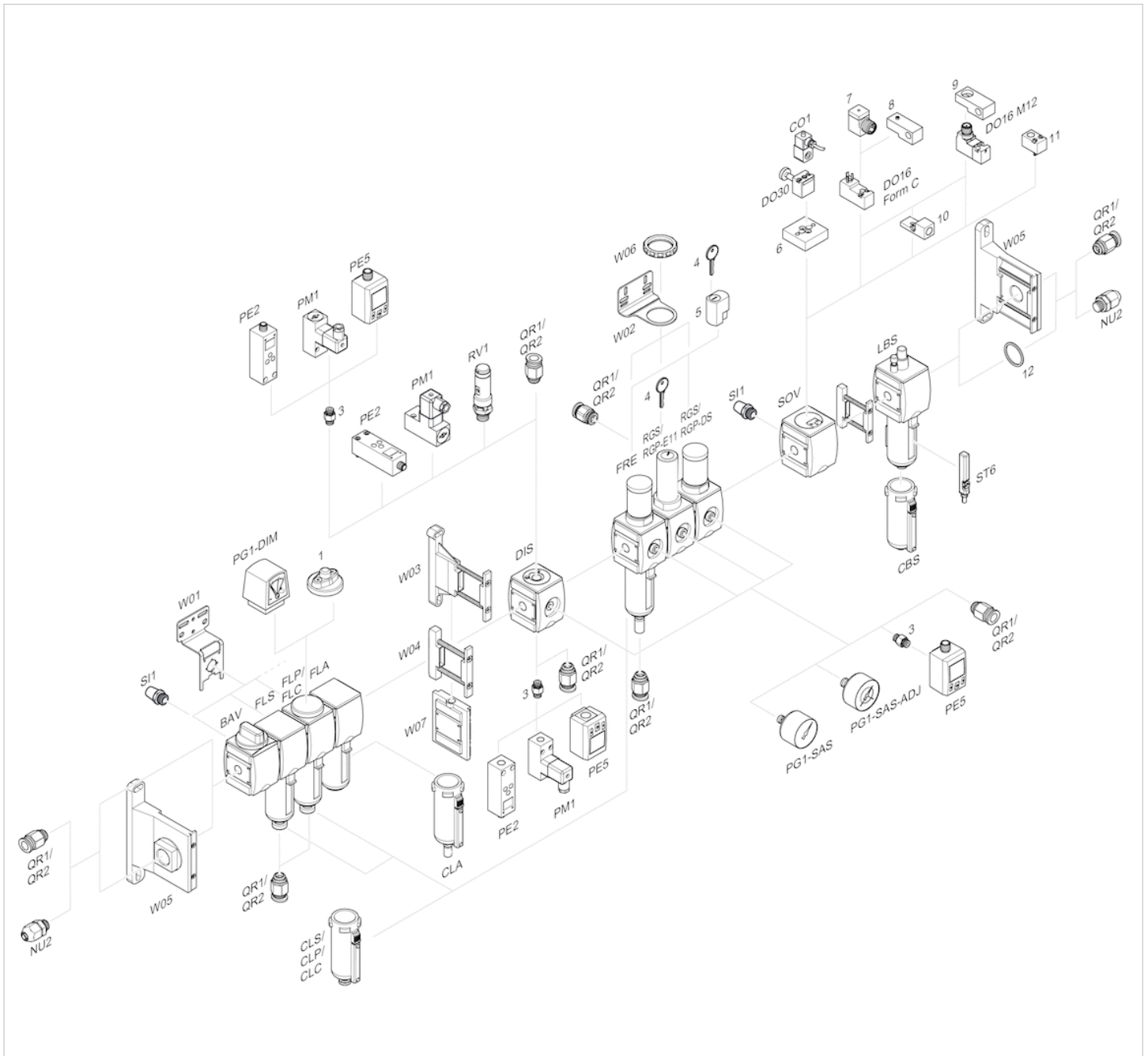
p_1 = Working pressure
 p_2 = Secondary pressure
 q_n = Nominal flow

Flow rate characteristic (p₂: 0,5 - 8 bar)



p₁ = Working pressure
 p₂ = Secondary pressure
 q_n = Nominal flow

Accessories overview



- 1 = contamination display
- 3 = Double nipple
- 4 = Key for E11 locking
- 5 = mortise lock
- 6 = Transition plate DO30
- 7 = Adapter, Series CON-VP
- 8 = Mounting aid DO16, form C
- 9 = Mounting aid DO16, M12
- 10 = Adapter for external pilot air
- 11 = Adapter pneumatic operation
- 12 = Sealing ring

Efficient pneumatic solutions, our program: cylinders and drives, valves and valve systems, air supply management



Visit us: [Emerson.com/Aventics](https://www.emerson.com/Aventics)

Your local contact: [Emerson.com/contactus](https://www.emerson.com/contactus)



Emerson.com



[Facebook.com/EmersonAutomationSolutions](https://www.facebook.com/EmersonAutomationSolutions)



[LinkedIn.com/company/Emerson-Automation-Solutions](https://www.linkedin.com/company/Emerson-Automation-Solutions)



[Twitter.com/EMR_Automation](https://twitter.com/EMR_Automation)

An example configuration is depicted on the title page. The delivered product may thus vary from that in the illustration. Subject to change. This Document, as well as the data, specifications and other information set forth in it, are the exclusive property of AVENTICS GmbH. It may not be reproduced or given to third parties without its consent. Only use the AVENTICS products shown in industrial applications. Read the product documentation completely and carefully before using the product. Observe the applicable regulations and laws of the respective country. When integrating the product into applications, note the system manufacturer's specifications for safe use of the product. The data specified only serve to describe the product. No statements concerning a certain condition or suitability for a certain application can be derived from our information. The information given does not release the user from the obligation of own judgement and verification. It must be remembered that the products are subject to a natural process of wear and aging.

The Emerson logo is a trademark and service mark of Emerson Electric Co. Brand logotype are registered trademarks of one of the Emerson family of companies. All other marks are the property of their respective owners. © 2021 Emerson Electric Co. All rights reserved.
2021-05



CONSIDER IT SOLVED™