

Bearing blocks



AVENTICS™ Bearing blocks



Bearing block AB7-HD, Series CM1

- Suitable for robust mechanical engineering applications, with fixed bearing
- Cylinder mounting in accordance with ISO 15552
- Suitable piston Ø 32 40 50 63 80 100 125 160 200 250 320 mm



Standards

ISO 15552

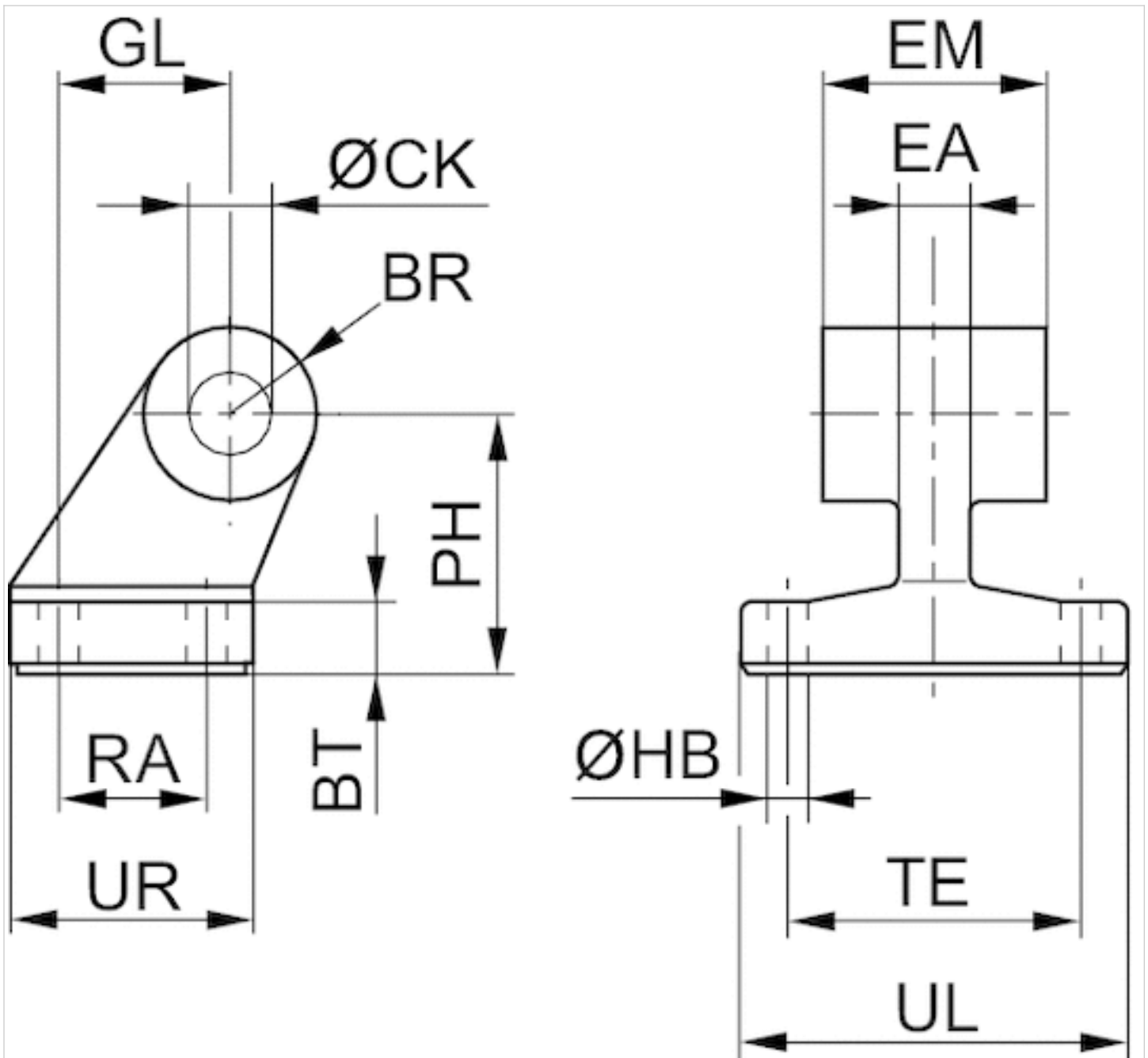
Technical data

Part No.	Piston Ø	Swivel bearing Ø
1825805275	32 mm	10 mm
1825805276	40 mm	12 mm
1825805277	50 mm	12 mm
1825805278	63 mm	16 mm
1825805279	80 mm	16 mm
1825805280	100 mm	20 mm
1825805281	125 mm	25 mm
1825805282	160 mm	30 mm
1825805283	200 mm	30 mm
1825805284	250 mm	40 mm
5239013422	320 mm	45 mm

Technical information

Material	
Material	Nodular graphite iron
	galvanized
Screws	galvanized steel

Dimensions



Dimensions

Part No.	Piston Ø	BR	BT	Ø CK H9	Ø HB H13	EM	GL JS14	EA max.	PH JS15
1825805275	32 mm	10	8	10	6.6	26 -0,2/-0,6	21	10	32
1825805276	40 mm	11	10	12	6.6	28 -0,2/-0,6	24	12	36
1825805277	50 mm	13	12	12	9	32 -0,2/-0,6	33	16	45
1825805278	63 mm	15	12	16	9	40 -0,2/-0,6	37	16	50
1825805279	80 mm	15	14	16	11	50 -0,2/-0,6	47	20	63
1825805280	100 mm	19	15	20	11	60 -0,2/-0,6	55	20	71
1825805281	125 mm	22,5	20	25	14	70 -0,5/-1,5	70	30	90
1825805282	160 mm	31.5	25	30	14	90 -0,5/-1,5	97	36	115

Part No.	Piston Ø	BR	BT	Ø CK H9	Ø HB H13	EM	GL JS14	EA max.	PH JS15
1825805283	200 mm	31.5	30	30	18	90 -0,5/-1,5	105	40	135
1825805284	250 mm	40	35	40	22	110 -0,5/-1,5	128	45	165
5239013422	320 mm	45	40	45	26	120 -0,5/-1,5	150	55	200

RA JS14	TE JS14	UL max.	UR max.
18	38	51	31
22	41	54	35
30	50	65	45
35	52	67	50
40	66	86	60
50	76	96	70
60	94	124	90
88	118	156	126
90	122	162	130
110	150	200	160
122	170	234	186

Bearing block AB7-BV, Series CM1

- with fixed bearing
- Cylinder mounting in accordance with ISO 15552
- Suitable piston Ø 32 40 50 63 80 100 mm



Standards

ISO 15552

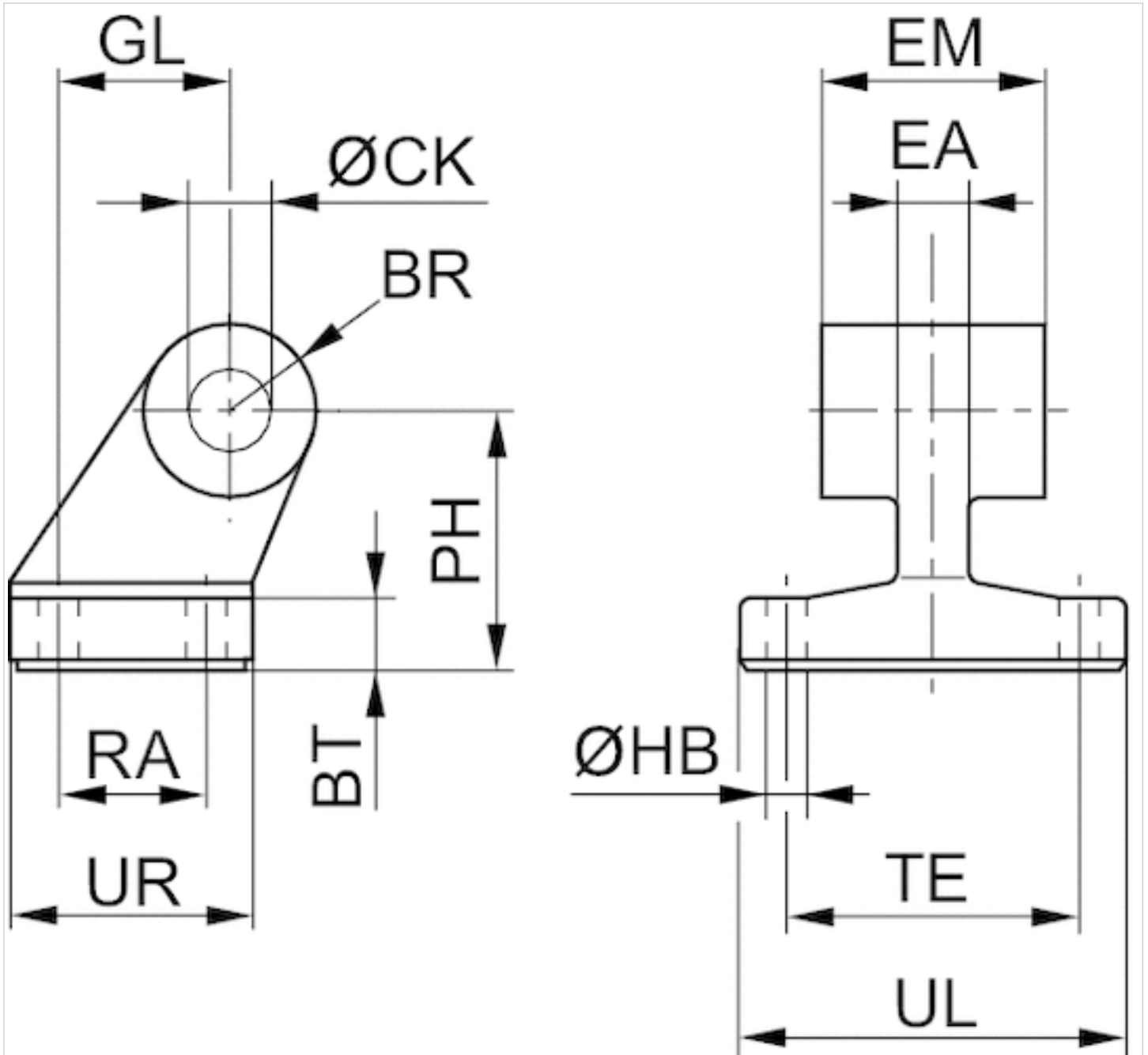
Technical data

Part No.	Piston Ø	Swivel bearing Ø
R412027471	32 mm	10 mm
R412027472	40 mm	12 mm
R412027473	50 mm	12 mm
R412027474	63 mm	16 mm
R412027475	80 mm	16 mm
R412027476	100 mm	20 mm

Technical information

Material	
Material	Die-cast aluminum
Screws	galvanized steel

Dimensions



Dimensions

Part No.	Piston Ø	BR	BT	Ø CK H9	Ø HB H13	EM	GL JS14	EA max.	PH JS15	RA JS14
R412027471	32 mm	10	8	10	6.6	26	21	10	32	18
R412027472	40 mm	11	10	12	6.6	28	24	15	36	22
R412027473	50 mm	13	12	12	9	32	33	16	45	30
R412027474	63 mm	15	14	16	9	40	37	16	50	35
R412027475	80 mm	15	14	16	11	50	47	20	63	40
R412027476	100 mm	19	17	20	11	60	55	20	71	50

TE JS14	UL max.	UR max.
38	51	31
41	54	35
50	65	45
52	67	50
66	86	60
76	96	70

Bearing block CS7, Series CM1

- With ball joint and foot
- Cylinder mounting in accordance with VDMA 24562 part 2
- Suitable piston Ø 32 40 50 63 80 100 125 160 200 250 320 mm



Standards

VDMA 24562 part 2

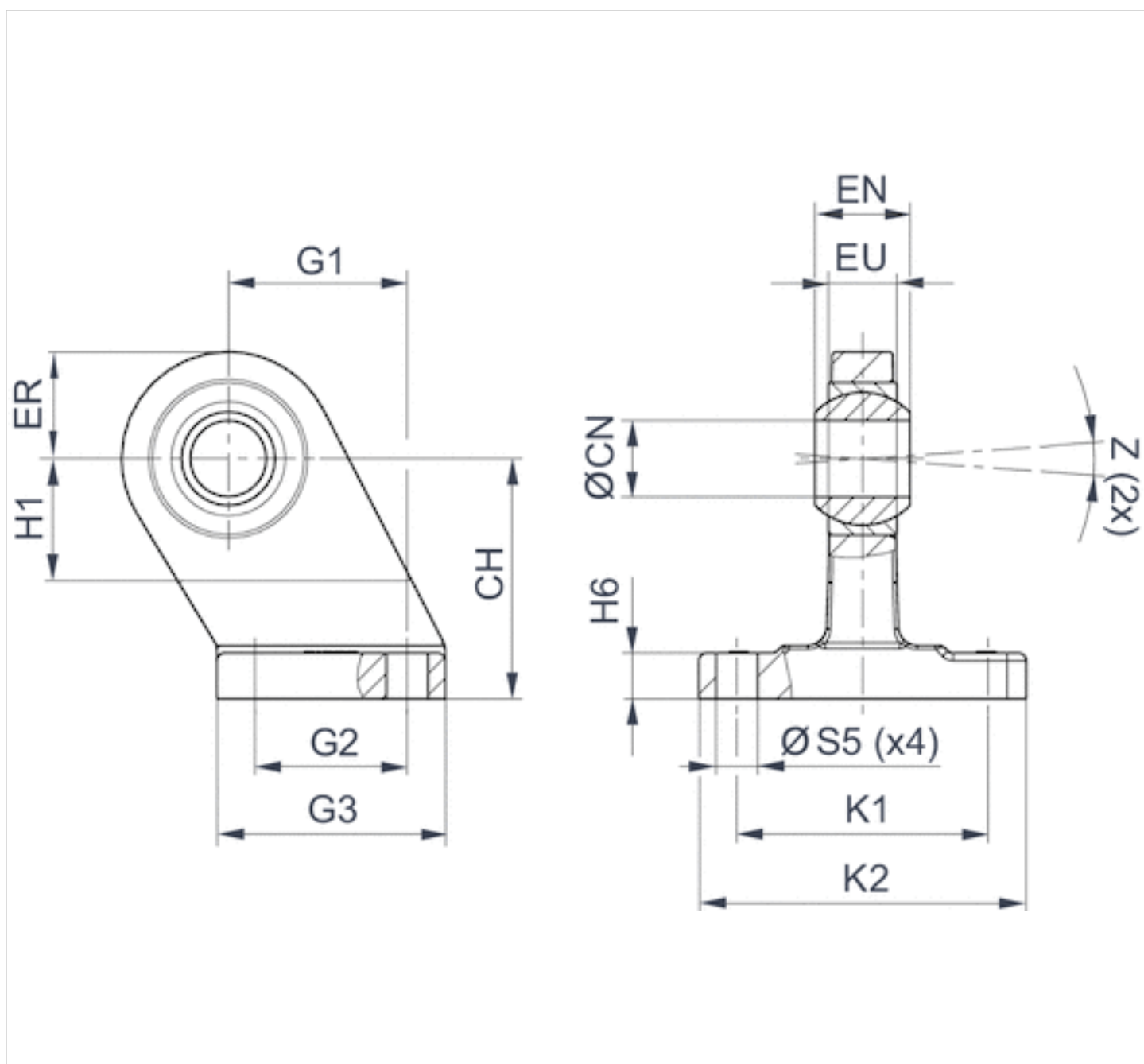
Technical data

Part No.	Piston Ø	Swivel bearing Ø
1827001784	32 mm	10 mm
1827001785	40 mm	12 mm
1827001786	50 mm	16 mm
1827001787	63 mm	16 mm
1827001788	80 mm	20 mm
1827001789	100 mm	20 mm
1827001790	125 mm	30 mm
1827001791	160 mm	35 mm
1827001792	200 mm	35 mm
1827001793	250 mm	40 mm
5239013442	320 mm	40 mm

Technical information

Material	
Material	Nodular graphite iron galvanized

Dimensions



Dimensions

Part No.	Piston Ø	CH JS15	ØCN H7	EU max.	EN -1,0	ER max.	G1 JS14	G2 JS14	G3 max.
1827001784	32 mm	32	10	10.5	14	16	21	18	31
1827001785	40 mm	36	12	12	16	18	24	22	35
1827001786	50 mm	45	16	15	21	21	33	30	45
1827001787	63 mm	50	16	15	21	23	37	35	50
1827001788	80 mm	63	20	18	25	28	47	40	60
1827001789	100 mm	71	20	18	25	30	55	50	70
1827001790	125 mm	90	30	25	37	40	70	60	90
1827001791	160 mm	115	35	28	43	44	97	88	126

Part No.	Piston Ø	CH JS15	ØCN H7	EU max.	EN -1,0	ER max.	G1 JS14	G2 JS14	G3 max.
1827001792	200 mm	135	35	28	43	47	105	90	130
1827001793	250 mm	165	40	33	49	53	128	110	160
5239013442	320 mm	200	50	45	60	63	150	122	186

H1 min.	H6	K1 JS14	K2 max.	ØS5 H13	Z min.
16	9 ±1	38	51	6.6	4°
20	9 ±1	41	54	6.6	4°
22	11 ±1	50	65	9	4°
27	11 ±1	52	67	9	4°
31	12 ±1,5	66	86	11	4°
38	13 ±1,5	76	96	11	4°
40	17 ±1,5	94	124	14	4°
45	22 ±1,5	118	156	14	4°
45	27 ±2	122	162	18	4°
50	31 ±2	150	200	22	4°
60	36 ±2	170	234	26	4°

Bearing block AB7-HD, Series CM1

- Corrosion-resistant version, suitable for robust mechanical engineering applications, with fixed bearing
- Cylinder mounting in accordance with ISO 15552
- Suitable piston \varnothing 32,40, 50, 63, 80 ,100, 125 mm



Standards

ISO 15552

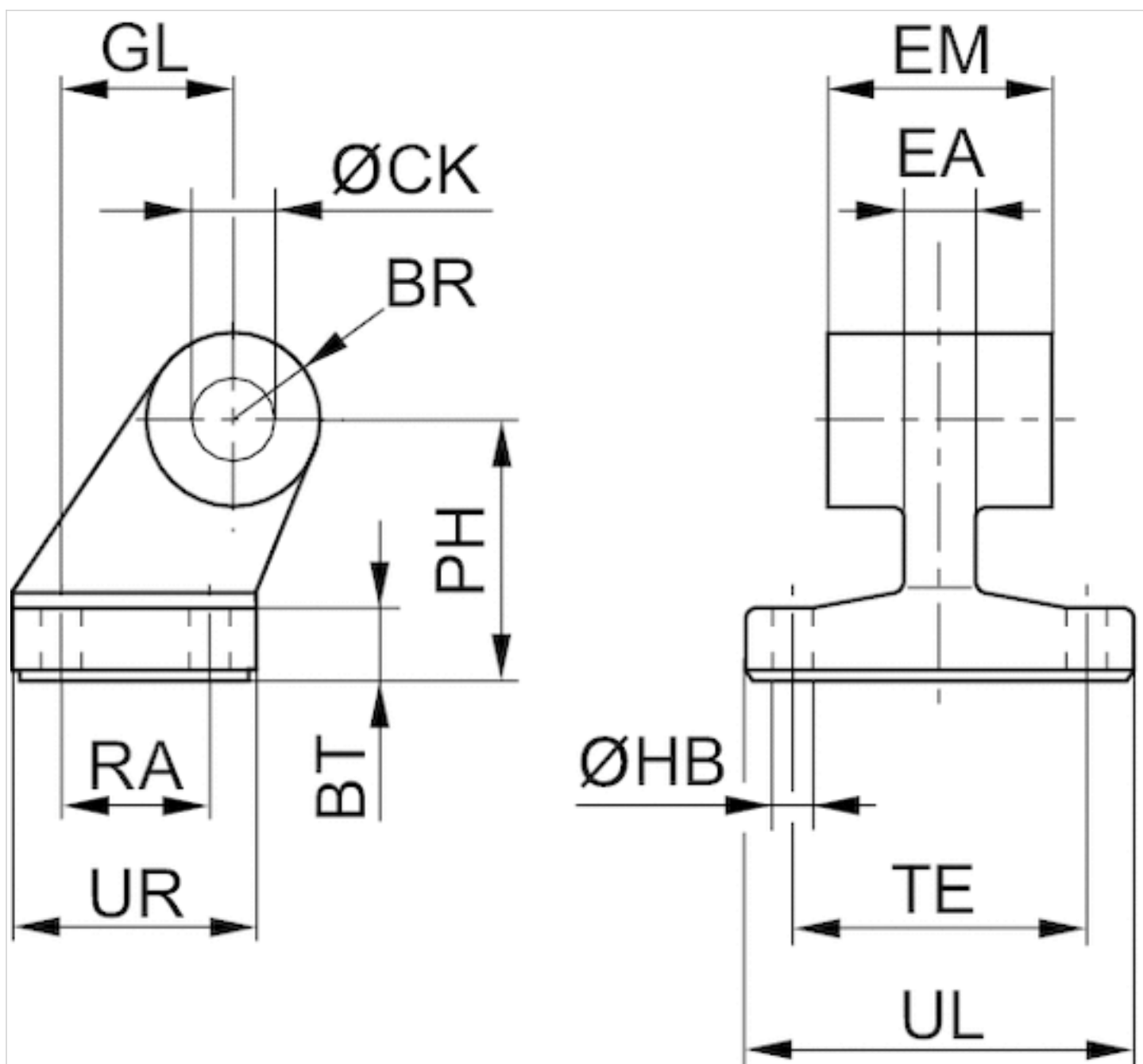
Technical data

Part No.	Piston \varnothing	Swivel bearing \varnothing
R412027820	32 mm	10 mm
R412027821	40 mm	12 mm
R412027822	50 mm	12 mm
R412027823	63 mm	16 mm
R412027824	80 mm	16 mm
R412027825	100 mm	20 mm
R412027826	125 mm	25 mm

Technical information

Material	
Material	Stainless steel
Screws	Stainless steel

Dimensions



Dimensions

Part No.	Piston Ø	BR	BT	Ø CK	Ø HB	EM	GL	EA	PH	RA	TE	UL	UR
R412027820	32 mm	10	8	10	6,6	26	21	10	32	18	38	51	31
R412027821	40 mm	11	10	12	6,6	28	24	12	36	22	41	54	35
R412027822	50 mm	13	12	12	9	32	33	16	45	30	50	65	45
R412027823	63 mm	15	12	16	9	40	37	16	50	35	52	67	50
R412027824	80 mm	15	14	16	11	50	47	20	63	40	66	86	60
R412027825	100 mm	19	15	20	11	60	55	20	71	50	76	96	70
R412027826	125 mm	22,5	20	25	14	70	70	30	90	60	94	124	90

Efficient pneumatic solutions, our program: cylinders and drives, valves and valve systems, air supply management



Visit us: [Emerson.com/Aventics](https://www.emerson.com/Aventics)

Your local contact: [Emerson.com/contactus](https://www.emerson.com/contactus)



Emerson.com



[Facebook.com/EmersonAutomationSolutions](https://www.facebook.com/EmersonAutomationSolutions)



[LinkedIn.com/company/Emerson-Automation-Solutions](https://www.linkedin.com/company/Emerson-Automation-Solutions)



[Twitter.com/EMR_Automation](https://twitter.com/EMR_Automation)

An example configuration is depicted on the title page. The delivered product may thus vary from that in the illustration. Subject to change. This Document, as well as the data, specifications and other information set forth in it, are the exclusive property of AVENTICS GmbH. It may not be reproduced or given to third parties without its consent. Only use the AVENTICS products shown in industrial applications. Read the product documentation completely and carefully before using the product. Observe the applicable regulations and laws of the respective country. When integrating the product into applications, note the system manufacturer's specifications for safe use of the product. The data specified only serve to describe the product. No statements concerning a certain condition or suitability for a certain application can be derived from our information. The information given does not release the user from the obligation of own judgement and verification. It must be remembered that the products are subject to a natural process of wear and aging.

The Emerson logo is a trademark and service mark of Emerson Electric Co. Brand logotype are registered trademarks of one of the Emerson family of companies. All other marks are the property of their respective owners. © 2021 Emerson Electric Co. All rights reserved.
2021-03



CONSIDER IT SOLVED™