

Clevis mountings



AVENTICS™ Clevis mountings



Clevis mounting AB3, Series CM1

- Suitable piston Ø 8, 10 12, 16 20, 25 32 mm



The delivered product may vary from that in the illustration.

Technical data

Part No.	Piston Ø	Swivel bearing Ø	Housing material	Surface	Fig.
1827001447	8, 10 mm	4 mm	Steel	galvanized	Fig. 1
1827001446	12, 16 mm	6 mm	Steel	galvanized	Fig. 1
1827001445	20, 25 mm	8 mm	Steel	galvanized	Fig. 1
3323410000	8, 10 mm	4 mm	Stainless steel	-	Fig. 1
3323416000	12, 16 mm	6 mm	Stainless steel	-	Fig. 2
3323420000	20, 25 mm	8 mm	Stainless steel	-	Fig. 2
3323432000	32 mm	10 mm	Stainless steel	-	Fig. 1

Scope of delivery: clevis mounting incl. pivot pins

Technical information

Material	
Material	Steel Stainless steel
	galvanized

Dimensions

Fig. 1

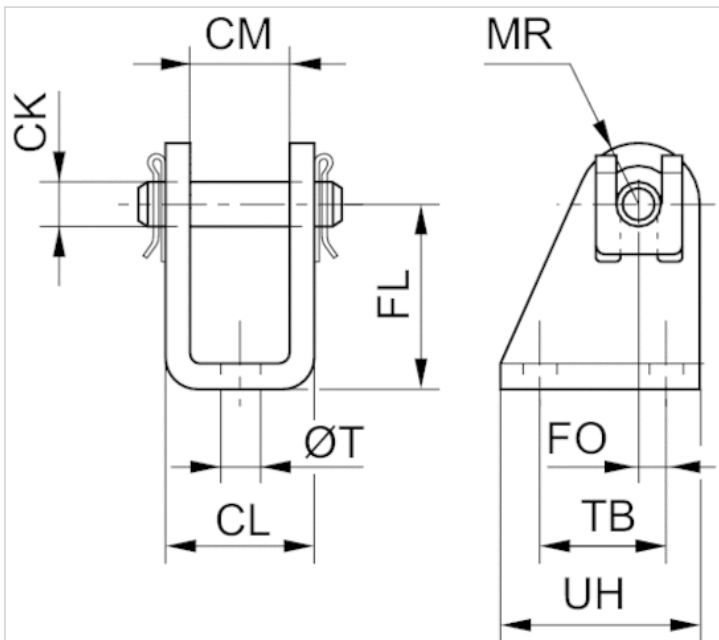
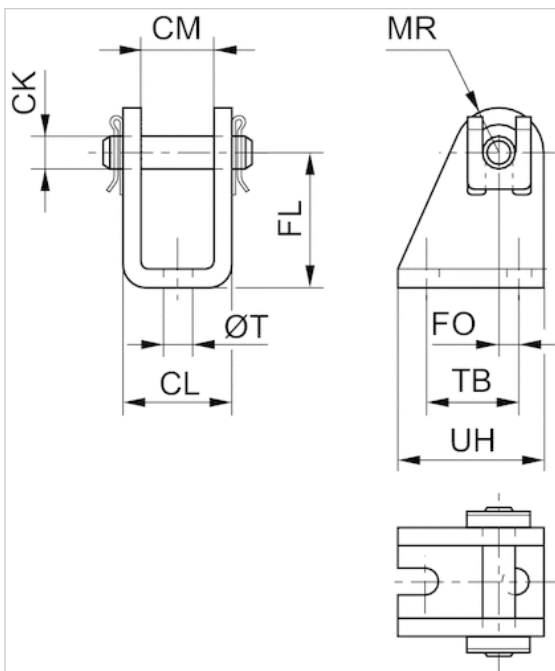


Fig. 2



Dimensions

Part No.	Piston Ø	Fig.	CM	Ø CK	CL	FL	FO	MR	Ø T	TB	UH
1827001447	8, 10 mm	Fig. 1	8,1	4	13,1	24	1,5	5	4,5	12,5	20
1827001446	12, 16 mm	Fig. 1	12,1	6	18,1	27	2,0	7	5,5	15	25
1827001445	20, 25 mm	Fig. 1	16,1	8	24,1	30	4,0	10	6,6	20	32
3323410000	8, 10 mm	Fig. 1	8	4	13	24	1,5	5	4.5	12	20
3323416000	12, 16 mm	Fig. 2	12	6	18	27	2,0	7	5.5	15	25
3323420000	20, 25 mm	Fig. 2	16	8	24	30	4,0	10	6.6	22	34

Part No.	Piston Ø	Fig.	CM	Ø CK	CL	FL	FO	MR	Ø T	TB	UH
3323432000	32 mm	Fig. 1	26	10	36	32	6,0	12	6.6	24	36

Clevis mounting AB3, Series CM1

- Suitable piston Ø 32 40 50 63 mm

- for series RPC



Technical data

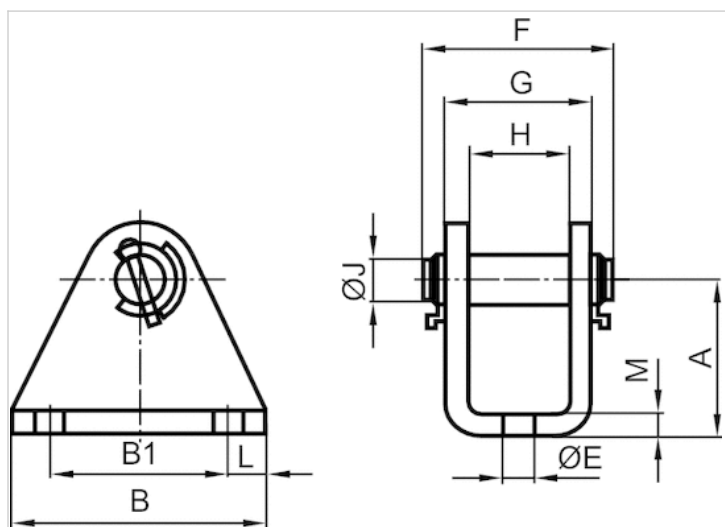
Part No.	Piston Ø
5217103402	32 mm
5217113402	40 mm
5217123402	50 mm
5217133402	63 mm

Scope of delivery: clevis mounting incl. pivot pins

Technical information

Material	
Material	Steel

Dimensions



Dimensions

Part No.	A	B	B1	Ø E	F	G	H	Ø J	L	M
5217103402	35	55	35	9	55	35.1	25.1	10	10	5
5217113402	40	55	35	9	65	40.1	30.1	12	10	5
5217123402	50	55	35	11	75	51.1	35.1	12	10	8
5217133402	60	65	45	11	75	51.1	35.1	16	10	8

Clevis mounting AB6, Series CM1

- Cylinder mounting in accordance with ISO 15552

- Suitable piston Ø 32, 40, 50, 63, 80, 100, 125, 160, 200, 250, 320 mm



Standards

ISO 15552

Technical data

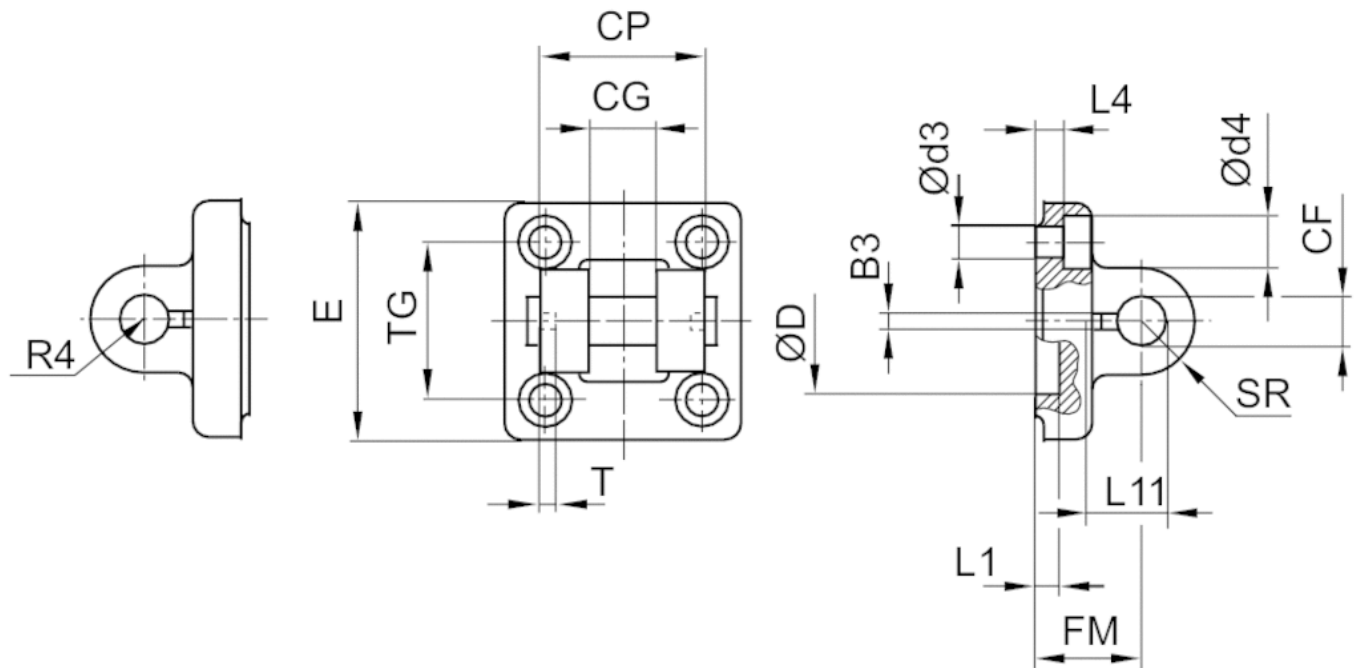
Part No.	Piston Ø	Swivel bearing Ø	Housing material	Surface
1827001593	32 mm	10 mm	Aluminum (forged)	-
1827001594	40 mm	12 mm	Aluminum (forged)	-
1827001595	50 mm	16 mm	Aluminum (forged)	-
1827002024	63 mm	16 mm	Aluminum (forged)	-
1827001597	80 mm	20 mm	Aluminum (forged)	-
1827001598	100 mm	20 mm	Aluminum (forged)	-
1827001599	125 mm	30 mm	Aluminum (forged)	-
1827001600	160 mm	35 mm	Nodular graphite iron	galvanized
1827001601	200 mm	35 mm	Nodular graphite iron	galvanized
1827001602	250 mm	40 mm	Nodular graphite iron	galvanized
5239013432	320 mm	50 mm	Nodular graphite iron	galvanized

Scope of delivery: clevis mounting incl. pivot pins and mounting screws

Technical information

Material	
Material	Aluminum (forged) Nodular graphite iron
	galvanized
Screws	Steel
	galvanized

Dimensions



Dimensions

Part No.	Piston Ø	B3 ±0,2	Ø CF F7	CG D10	CP d12	Ø d3	Ø d4	Ø D	E	FM ±0,2
1827001593	32 mm	3.3	10	14	34	6.6	11	30	46	22
1827001594	40 mm	4.3	12	16	40	6.6	11	35	52	25
1827001595	50 mm	4.3	16	21	45	9	15	40	64	27
1827002024	63 mm	4.3	16	21	51	9	15	45	74	32
1827001597	80 mm	4.3	20	25	65	11	18	45	94	36
1827001598	100 mm	4.3	20	25	75	11	18	55	113	41
1827001599	125 mm	6.3	30	37	97	14	20	60	138	50

Part No.	Piston Ø	B3 ±0,2	Ø CF F7	CG D10	CP d12	Ø d3	Ø d4	Ø D	E	FM ±0,2
1827001600	160 mm	6.3	35	43	122	18	26	65	176	55
1827001601	200 mm	6.3	35	43	122	18	26	75	216	60
1827001602	250 mm	8.3	40	49	125	22	33	90	275	70
5239013432	320 mm	8.3	50	60	150	26	36	110	340	80

L1 min.	L4 ±0,5	L11 -0,5	R4	SR	T ±0,2	TG
4.5	5.5	16.5	17	10	3	32,5 ±0,2
4.5	5.5	18	20	12	4	38 ±0,2
4.5	6.5	23	22	15	4	46,5 ±0,2
4.5	6.5	23	25	15	4	56,5 ±0,2
4.5	10	27	30	20	4	72 ±0,2
4.5	10	27	32	20	4	89 ±0,2
7	10	40	42	26	6	110 ±0,3
10	10	45	46	33	6	140 ±0,3
10	11	45	49	33	6	175 ±0,3
12	11	53	55	40	8	220 ±0,3
11	15	69	65	50	8	270 ±0,3

Clevis mounting MP2-HD, Series CM1

- Suitable for robust mechanical engineering applications
- Cylinder mounting in accordance with ISO 15552
- Suitable piston Ø 32 40 50 63 80 100 125 160 200 250 320 mm



Standards

ISO 15552

Technical data

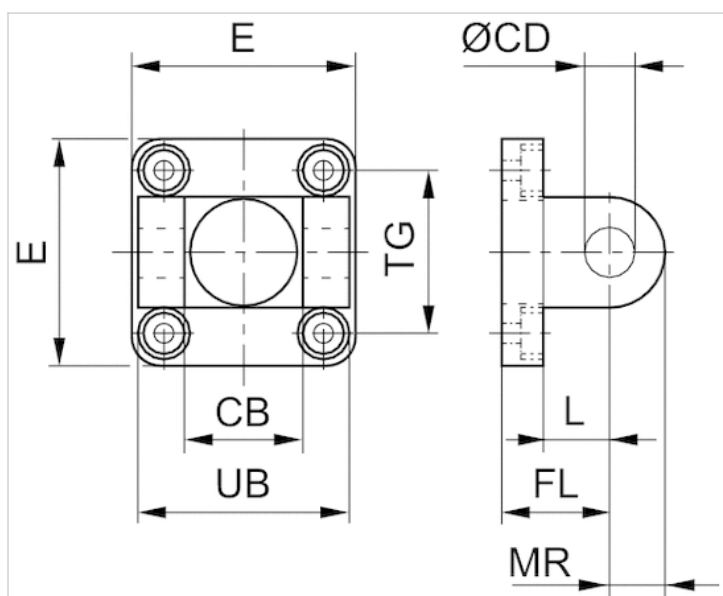
Part No.	Piston Ø	Swivel bearing Ø	Housing material	Surface
1827001289	32 mm	10 mm	Aluminum (forged)	-
1827001290	40 mm	12 mm	Aluminum (forged)	-
1827001291	50 mm	12 mm	Aluminum (forged)	-
1827001500	63 mm	16 mm	Aluminum (forged)	-
1827001293	80 mm	16 mm	Aluminum (forged)	-
1827001294	100 mm	20 mm	Aluminum (forged)	-
1827004862	125 mm	25 mm	Aluminum (forged)	-
1827004863	160 mm	30 mm	Nodular graphite iron	galvanized
1827004864	200 mm	30 mm	Nodular graphite iron	galvanized
1827004865	250 mm	40 mm	Nodular graphite iron	galvanized
5239813402	320 mm	45 mm	Nodular graphite iron	galvanized

Scope of delivery: clevis mounting incl. mounting screws

Technical information

Material	
Material	Aluminum (forged) Nodular graphite iron
	galvanized
Screws	Steel
	galvanized

Dimensions



Dimensions

Part No.	Piston Ø	CB H14	Ø CD H9	E	FL ±0.2	L min.	MR max.	UB h13	TG
1827001289	32 mm	26	10	47.5	22	12	10	45	32.5 ±0.2
1827001290	40 mm	28	12	53.5	25	15	13	52	38 ±0.2
1827001291	50 mm	32	12	64	27	15	13	60	46.5 ±0.2
1827001500	63 mm	40	16	74	32	18	17	70	56.5 ±0.2
1827001293	80 mm	50	16	94	36	20	17	90	72.0 ±0.2
1827001294	100 mm	60	20	113.5	41	25	18	110	89.0 ±0.2
1827004862	125 mm	70	25	138	50	30	26	130	110 ±0.3
1827004863	160 mm	90	30	180	55	35	31	170	140 ±0.3
1827004864	200 mm	90	30	220	60	35	31	170	175 ±0.3
1827004865	250 mm	110	40	280	70	45	41	200	220 ±0.3
5239813402	320 mm	120	45	350	80	50	45	220	270 ±0.3

Clevis mounting MP2-BV, Series CM1

- Cylinder mounting in accordance with ISO 15552

- Suitable piston Ø 32 40 50 63 80 100 mm



Standards

ISO 15552

Technical data

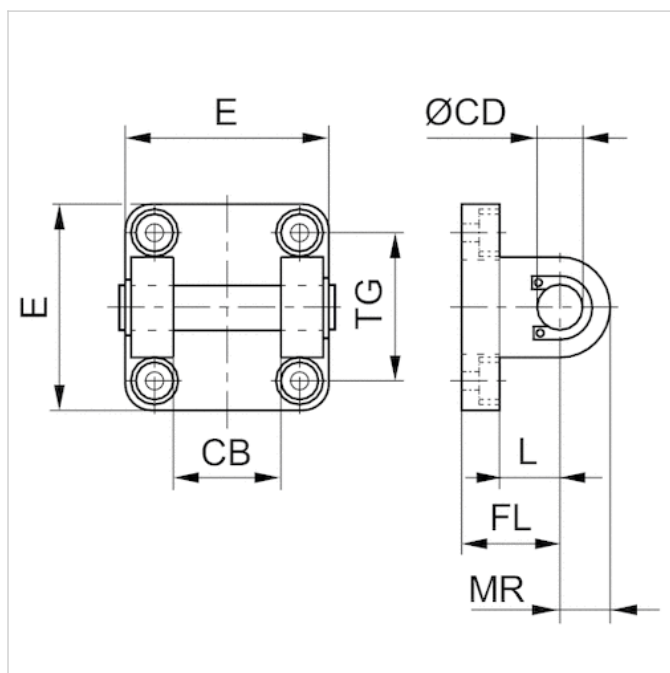
Part No.	Piston Ø	Swivel bearing Ø
R412027402	32 mm	10 mm
R412027403	40 mm	12 mm
R412027404	50 mm	12 mm
R412027405	63 mm	16 mm
R412027406	80 mm	16 mm
R412027407	100 mm	20 mm

Scope of delivery: clevis mounting incl. pivot pins and mounting screws

Technical information

Material	
Material	Die-cast aluminum
Screws	Steel galvanized

Dimensions



Dimensions

Part No.	Piston Ø	CB H14	Ø CD H9	E	FL ±0.2	L min.	MR max.	TG
R412027402	32 mm	26	10	45	22	13	10	32.5
R412027403	40 mm	28	12	52	25	16	13	38
R412027404	50 mm	32	12	65	27	16	12	46.5
R412027405	63 mm	40	16	75	32	21	16	56.5
R412027406	80 mm	50	16	98	36	22	16	72
R412027407	100 mm	60	20	115	41	27	20	89

Clevis mounting MP2, Series CM1

- corrosion-resistant
- Cylinder mounting in accordance with ISO 15552
- Suitable piston Ø 32, 40, 50, 63, 80, 100, 125 mm



Standards
Weight

ISO 15552
See table below

Technical data

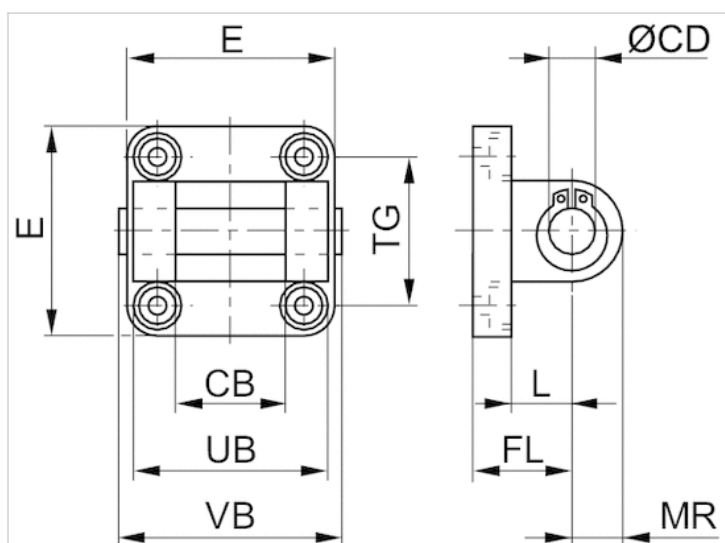
Part No.	Piston Ø	Swivel bearing Ø	Weight
3682903590	32 mm	10 mm	0.107 kg
3682904590	40 mm	12 mm	0.157 kg
3682905590	50 mm	12 mm	0.232 kg
3682906590	63 mm	16 mm	0.345 kg
3682908590	80 mm	16 mm	0.574 kg
3682910590	100 mm	20 mm	0.88 kg
R412025571	125 mm	20 mm	1.72 kg

Scope of delivery: clevis mounting incl. pivot pins and mounting screws

Technical information

Material	
Material	Aluminum (forged)
	anodized
Screws	Stainless steel
Bearing	Plastic

Dimensions



Dimensions

Part No.	CB H14	Ø CD H9	E max.	FL	L min.	MR	UB h14	VB	TG
3682903590	26	10	47	22 ±0,2	12	10	45	50	32,5 ±0,2
3682904590	28	12	54	25 ±0,2	15	12	52	57	38,0 ±0,2
3682905590	32	12	65	27 ±0,2	15	12	60	65	46,5 ±0,2
3682906590	40	16	75	32 ±0,2	20	15	70	76	56,5 ±0,2
3682908590	50	16	94	36 ±0,2	20	17	90	96	72,0 ±0,2
3682910590	60	20	112	41 ±0,2	25	21	110	117	89,0 ±0,2
R412025571	70	25	138	50	30	26	130	140	110,0 ±0,3

Clevis mounting MP2, Series CM1

- Suitable piston Ø 32, 40, 50, 63, 80, 100 mm

- for series KPZ



Technical data

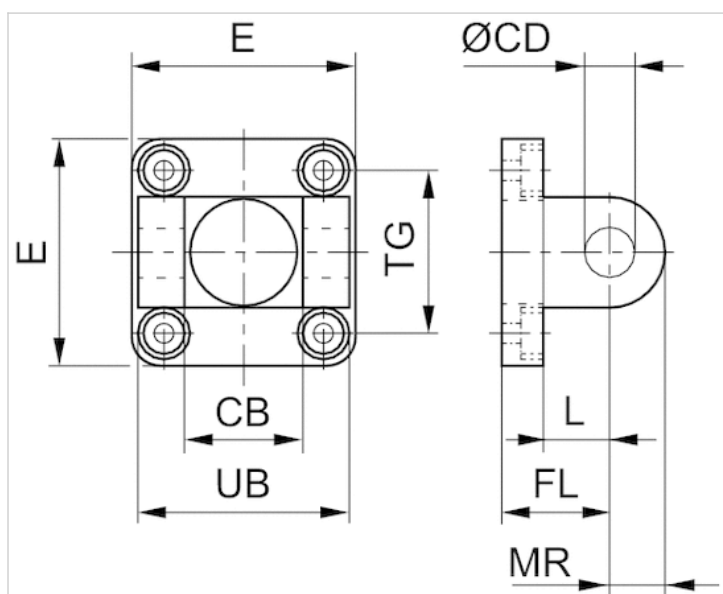
Part No.	Piston Ø	Swivel bearing Ø
1827002302	32 mm	10 mm
1827002303	40 mm	12 mm
1827002304	50 mm	12 mm
1827002305	63 mm	16 mm
1827002306	80 mm	16 mm
1827002307	100 mm	20 mm

Scope of delivery: clevis mounting incl. mounting screws

Technical information

Material	
Material	Steel
	galvanized
Screws	Steel
	galvanized

Dimensions



Dimensions

Part No.	Piston Ø	CB H14	Ø CD H9	E	FL ±0.2	L min.	MR max.	UB h13	TG
1827002302	32 mm	26	10	48	22	13	10	45	32 ±0.5
1827002303	40 mm	28	12	58	25	16	12.5	52	42 ±0.5
1827002304	50 mm	32	12	66	27	16	12.5	60	50 ±0.6
1827002305	63 mm	40	16	83	32	21	15	70	62 ±0.6
1827002306	80 mm	50	16	102	36	23	15	90	82 ±0.7
1827002307	100 mm	60	20	123	41	26	20	110	103 ±0.7

Clevis mounting MP2, Series CM1

- for rear eye MP9 with rubber bushing
- Suitable piston Ø 25, 32, 40, 50, 63, 80, 100 mm
- for series 167



Technical data

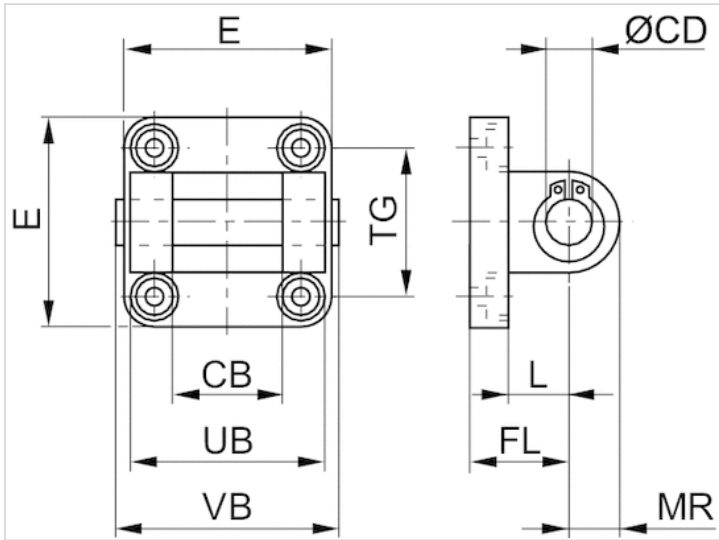
Part No.	Piston Ø	Swivel bearing Ø	Housing material
3682902590	25 mm	10 mm	Aluminum (anodized)
3672903000	32 mm	10 mm	Aluminum (forged and anodized)
3672904000	40 mm	12 mm	Aluminum (forged and anodized)
3672905000	50 mm	12 mm	Aluminum (forged and anodized)
3672906000	63 mm	16 mm	Aluminum (forged and anodized)
3672908000	80 mm	16 mm	Aluminum (forged and anodized)
3672910000	100 mm	20 mm	Aluminum (forged and anodized)

Scope of delivery: clevis mounting incl. pivot pins and mounting screws

Technical information

Material	
Material	see table
Screws	Stainless steel
Mounting bolts	Stainless steel

Dimensions



Dimensions

Part No.	CB H14	Ø CD H9	E max.	FL	L min.	MR	UB h14	VB
3682902590	18	10	40	20	14	9	36	42,5
3672903000	26	10	47,5	22	12	11	45	64
3672904000	28	12	53,5	25	15	13	52	71
3672905000	32	12	64	27	15	13	60	79
3672906000	40	16	74	32	18	17	70	93
3672908000	50	16	95	36	20	17	90	113
3672910000	60	20	113,5	41	25	21	110	133

TG *contains elongated hole

26/27*
32
40*
46
59*
73
90*

Clevis mounting MP2, Series CM1

- Cylinder mounting in accordance with CNOMO / NFE 49-001

- Suitable piston Ø 25 32 40 50 63 80 100 125 160 200 mm



Standards

CNOMO / NFE 49-001

Technical data

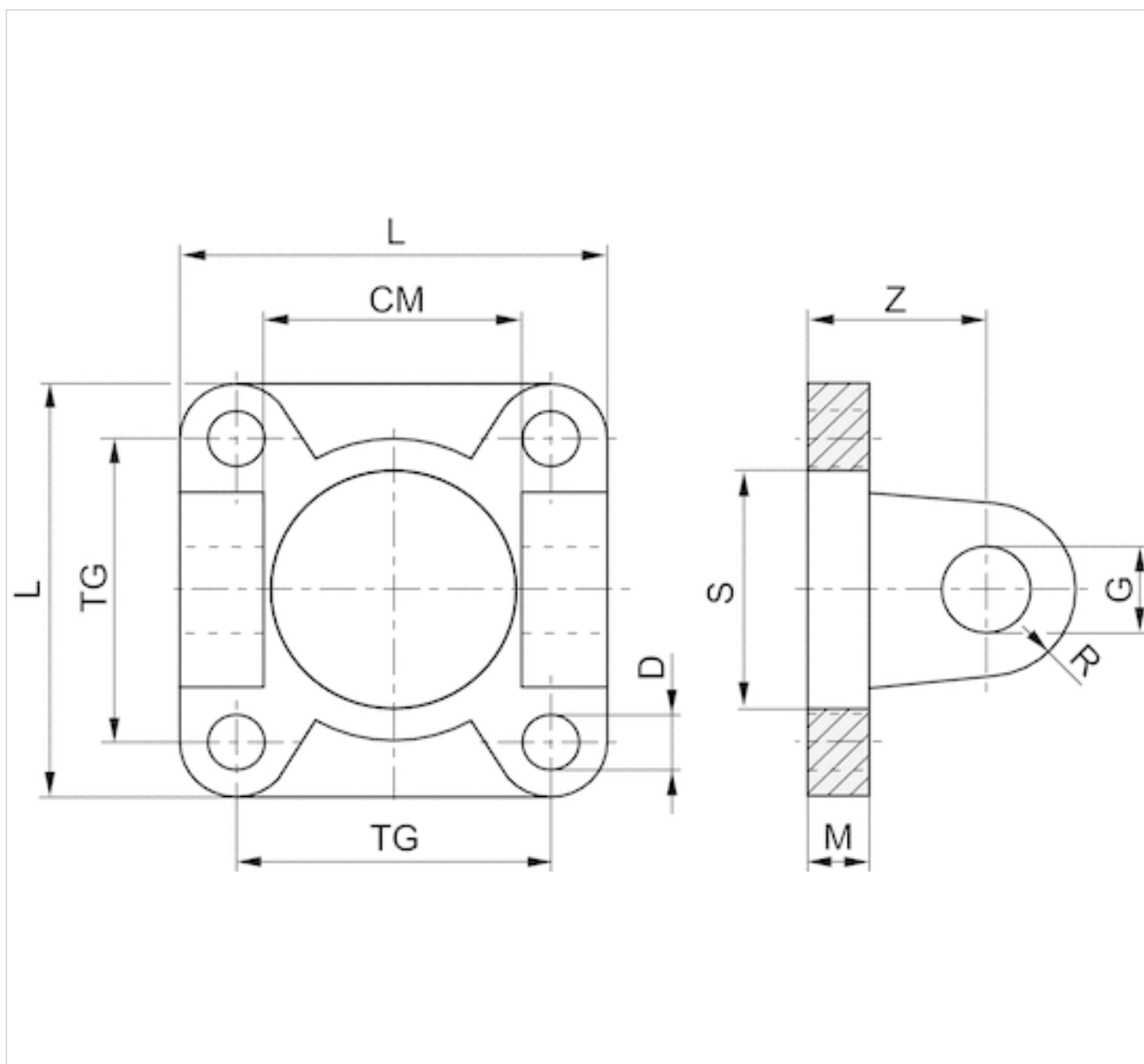
Part No.	Piston Ø	Swivel bearing Ø
1827005910	25 mm	8 mm
1827005911	32 mm	8 mm
1827005912	40 mm	12 mm
1827005913	50 mm	12 mm
1827005914	63 mm	16 mm
1827005915	80 mm	16 mm
1827005916	100 mm	20 mm
1827005917	125 mm	20 mm
7472ZZ1428	160 mm	25 mm
7472ZZ1429	200 mm	25 mm

Scope of delivery incl. lock nut

Technical information

Material	
Material	Aluminum
	Cathodic dip-painted

Dimensions



Dimensions

Part No.	Piston Ø	CM H14	D H13	G H9	M	L	R	S	TG	Z
1827005910	25 mm	26	7	8	8	40	8	25	28	18
1827005911	32 mm	26	7	8	8	45	8	25	33	18
1827005912	40 mm	33	7	12	8	52	12	32	40	24
1827005913	50 mm	33	9	12	10	65	12	32	49	26
1827005914	63 mm	47	9	16	10	75	16	45	59	30
1827005915	80 mm	47	11	16	12	95	16	45	75	32
1827005916	100 mm	57	11	20	12	115	20	55	90	37

Part No.	Piston Ø	CM H14	D H13	G H9	M	L	R	S	TG	Z
1827005917	125 mm	57	14	20	16	140	21	55	110	41
7472ZZ1428	160 mm	72	18	25	20	180	25	65	140	55
7472ZZ1429	200 mm	72	18	25	20	220	25	65	175	55

Efficient pneumatic solutions, our program: cylinders and drives, valves and valve systems, air supply management



Visit us: Emerson.com/Aventics

Your local contact: Emerson.com/contactus



Emerson.com



[Facebook.com/EmersonAutomationSolutions](https://www.facebook.com/EmersonAutomationSolutions)



[LinkedIn.com/company/Emerson-Automation-Solutions](https://www.linkedin.com/company/Emerson-Automation-Solutions)



[Twitter.com/EMR_Automation](https://twitter.com/EMR_Automation)

An example configuration is depicted on the title page. The delivered product may thus vary from that in the illustration. Subject to change. This Document, as well as the data, specifications and other information set forth in it, are the exclusive property of AVENTICS GmbH. It may not be reproduced or given to third parties without its consent. Only use the AVENTICS products shown in industrial applications. Read the product documentation completely and carefully before using the product. Observe the applicable regulations and laws of the respective country. When integrating the product into applications, note the system manufacturer's specifications for safe use of the product. The data specified only serve to describe the product. No statements concerning a certain condition or suitability for a certain application can be derived from our information. The information given does not release the user from the obligation of own judgment and verification. It must be remembered that the products are subject to a natural process of wear and aging.

The Emerson logo is a trademark and service mark of Emerson Electric Co. Brand logotype are registered trademarks of one of the Emerson family of companies. All other marks are the property of their respective owners. © 2017 Emerson Electric Co. All rights reserved.
2019-03



CONSIDER IT SOLVED™