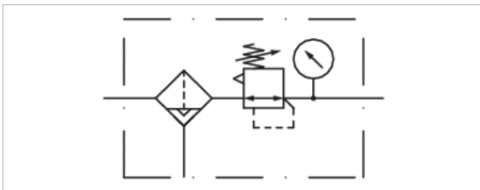


Filter pressure regulator, Series AS2-FRE

- G 1/4 G 3/8
- filter porosity 5 µm
- lockable
- for padlocks
- with pressure gauge
- suitable for ATEX



Type	1-part, Can be assembled into blocks
Parts	Filter pressure regulator
Mounting orientation	vertical
Certificates	suitable for ATEX
Working pressure min./max.	1,5 ... 16 bar
Ambient temperature min./max.	-10 ... 50 °C
Medium temperature min./max.	-10 ... 50 °C
Medium	Compressed air Neutral gases
Regulator type	Diaphragm-type pressure regulator
Regulator function	with relieving air exhaust
Adjustment range min./max.	See table below
Pressure supply	single
Filter reservoir volume	28 cm ³
Filter element	exchangeable
Weight	See table below

Technical data

Part No.	Port	filter porosity	Flow	Adjustment range min./max.
			Qn	
R412006200	G 1/4	5 µm	2100 l/min	0,5 ... 8 bar
R412006206	G 1/4	5 µm	2100 l/min	0,5 ... 8 bar
R412006196	G 1/4	5 µm	2100 l/min	0,5 ... 10 bar
R412006201	G 1/4	5 µm	2100 l/min	0,5 ... 8 bar
R412006202	G 1/4	5 µm	2100 l/min	0,5 ... 8 bar
R412006207	G 1/4	5 µm	2100 l/min	0,5 ... 8 bar
R412006208	G 1/4	5 µm	2100 l/min	0,5 ... 8 bar
R412006197	G 1/4	5 µm	2100 l/min	0,5 ... 10 bar
R412006198	G 1/4	5 µm	2100 l/min	0,5 ... 10 bar
R412006209	G 3/8	5 µm	2600 l/min	0,5 ... 8 bar
R412006215	G 3/8	5 µm	2600 l/min	0,5 ... 8 bar
R412006212	G 3/8	5 µm	2600 l/min	0,5 ... 10 bar
R412006210	G 3/8	5 µm	2600 l/min	0,5 ... 8 bar
R412006211	G 3/8	5 µm	2600 l/min	0,5 ... 8 bar
R412006216	G 3/8	5 µm	2600 l/min	0,5 ... 8 bar
R412006217	G 3/8	5 µm	2600 l/min	0,5 ... 8 bar
R412006213	G 3/8	5 µm	2600 l/min	0,5 ... 10 bar

Part No.	Port	filter porosity	Flow	Adjustment range min./max.
			Qn	
R412006214	G 3/8	5 µm	2600 l/min	0,5 ... 10 bar
R412026710	G 1/4	5 µm	2100 l/min	0,5 ... 8 bar

Part No.	Condensate drain	Pressure gauge	Reservoir
R412006200	semi-automatic, open without pressure	with pressure gauge	Polycarbonate
R412006206	semi-automatic, open without pressure	with pressure gauge	Die cast zinc
R412006196	semi-automatic, open without pressure	with pressure gauge	Polycarbonate
R412006201	fully automatic, open without pressure	with pressure gauge	Polycarbonate
R412006202	fully automatic, closed without pressure	with pressure gauge	Polycarbonate
R412006207	fully automatic, open without pressure	with pressure gauge	Die cast zinc
R412006208	fully automatic, closed without pressure	with pressure gauge	Die cast zinc
R412006197	fully automatic, open without pressure	with pressure gauge	Polycarbonate
R412006198	fully automatic, closed without pressure	with pressure gauge	Polycarbonate
R412006209	semi-automatic, open without pressure	with pressure gauge	Polycarbonate
R412006215	semi-automatic, open without pressure	with pressure gauge	Die cast zinc
R412006212	semi-automatic, open without pressure	with pressure gauge	Polycarbonate
R412006210	fully automatic, open without pressure	with pressure gauge	Polycarbonate
R412006211	fully automatic, closed without pressure	with pressure gauge	Polycarbonate
R412006216	fully automatic, open without pressure	with pressure gauge	Die cast zinc
R412006217	fully automatic, closed without pressure	with pressure gauge	Die cast zinc
R412006213	fully automatic, open without pressure	with pressure gauge	Polycarbonate
R412006214	fully automatic, closed without pressure	with pressure gauge	Polycarbonate
R412026710	semi-automatic, open without pressure	with pressure gauge	Polycarbonate

Part No.	Protective guard	Weight	Fig.	
R412006200	Polyamide	0,394 kg	Fig. 1	1)
R412006206	-	0,609 kg	Fig. 1	1)
R412006196	Polyamide	0,394 kg	Fig. 1	1)
R412006201	Polyamide	0,437 kg	Fig. 2	1)
R412006202	Polyamide	0,437 kg	Fig. 2	1)
R412006207	-	0,661 kg	Fig. 2	1)
R412006208	-	0,661 kg	Fig. 2	1)
R412006197	Polyamide	0,437 kg	Fig. 2	1)
R412006198	Polyamide	0,437 kg	Fig. 2	1)
R412006209	Polyamide	0,437 kg	Fig. 3	1)
R412006215	-	0,596 kg	Fig. 3	1)
R412006212	Polyamide	0,596 kg	Fig. 3	1)
R412006210	Polyamide	0,437 kg	Fig. 4	1)
R412006211	Polyamide	0,437 kg	Fig. 4	1)
R412006216	-	0,648 kg	Fig. 4	1)
R412006217	-	0,648 kg	Fig. 4	1)
R412006213	Polyamide	0,648 kg	Fig. 4	1)
R412006214	Polyamide	0,648 kg	Fig. 4	1)
R412026710	Polyamide	0,394 kg	Fig. 2	2)

Pressure gauge enclosed separately, Nominal flow Qn with secondary pressure p₂ = 6 bar at Δp = 1 bar

1) Suitable for use in Ex zones 1, 2, 21, 22.

2) Suitable for use in Ex zones 1, 2, 21, 22., Safe rear exhaust in case of drop (removal) of pilot pressure

Technical information

The pressure dew point must be at least 15 °C under ambient and medium temperature and may not exceed 3 °C .

Note: Polycarbonate reservoirs are susceptible to solvents, supplementary information can be found at "Customer information".

Suitable for use in Ex zones 1, 2, 21, 22.

A change in the flow direction (from air supply on the left to air supply on the right) occurs by rotating installation by 180° about the vertical axis. Please see the operating instructions for further details.

Also suitable for separation of fluid oil or water due to the design.

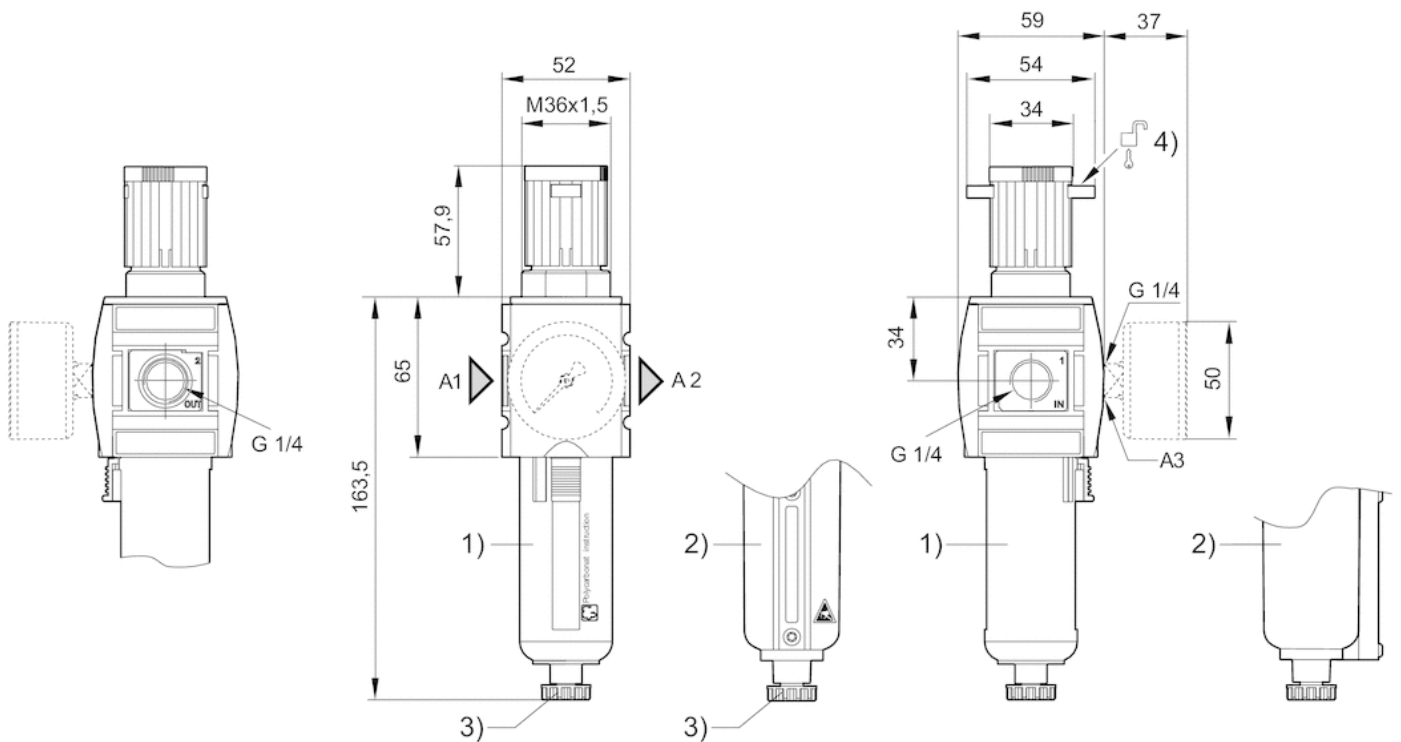
Max. achievable compressed air class acc. to ISO 8573-1:2010 6 : 7 : -

Technical information

Material	
Housing	Polyamide
Front plate	Acrylonitrile butadiene styrene
Seals	Acrylonitrile butadiene rubber
Threaded bushing	Die cast zinc
Reservoir	Polycarbonate Die cast zinc
Protective guard	Polyamide
Filter insert	Polyethylene

Dimensions

Dimensions in mm, Fig. 1



A1 = input

A2 = output

A3 = pressure gauge connection

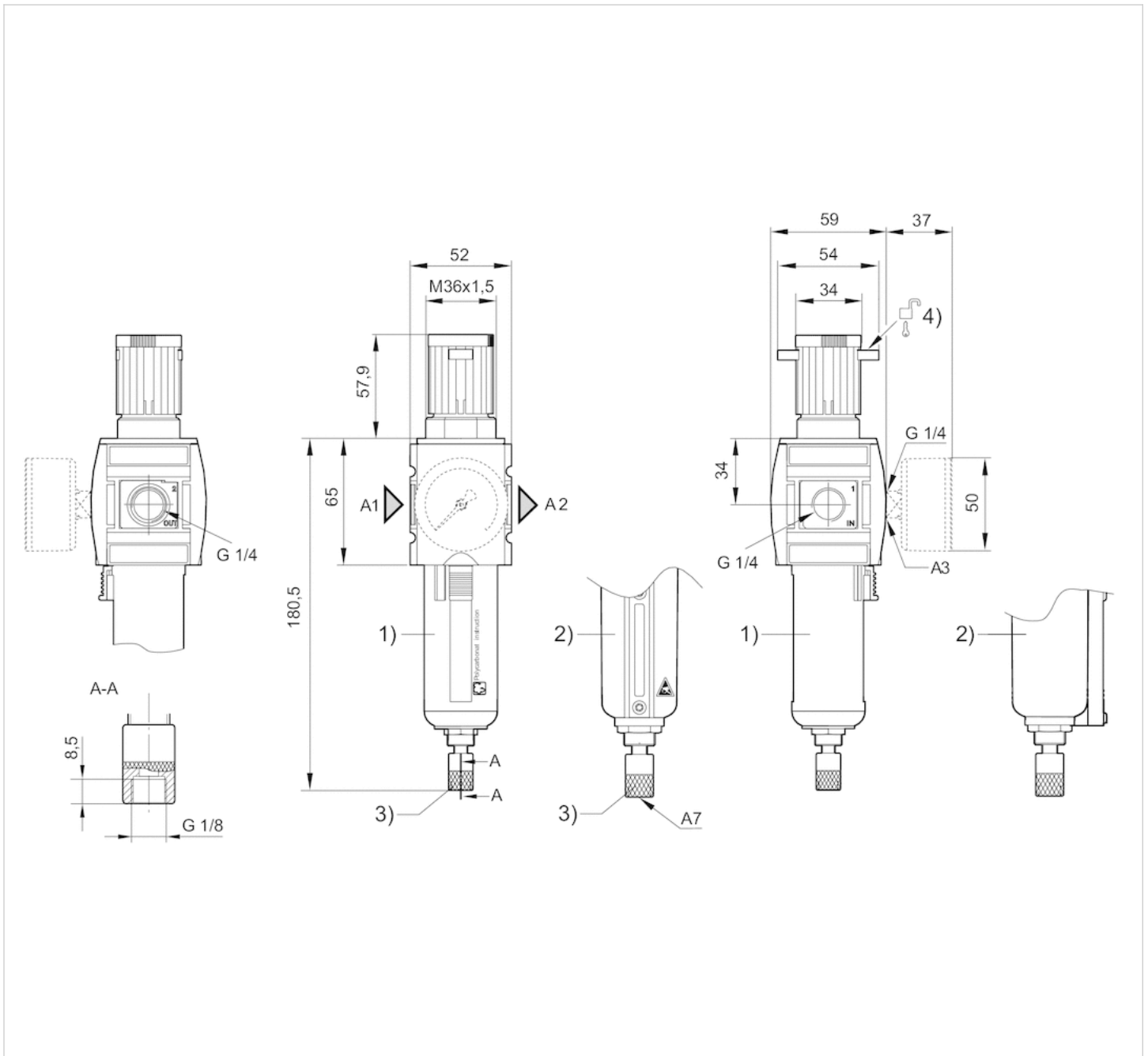
1) Plastic reservoir and protective guard with window

2) Metal reservoir

3) Semi-automatic condensate drain

4) Mounting option for padlocks, max. shackle Ø 8

Dimensions in mm, Fig. 2



A1 = input

A2 = output

A3 = pressure gauge connection

A7 = condensate drain

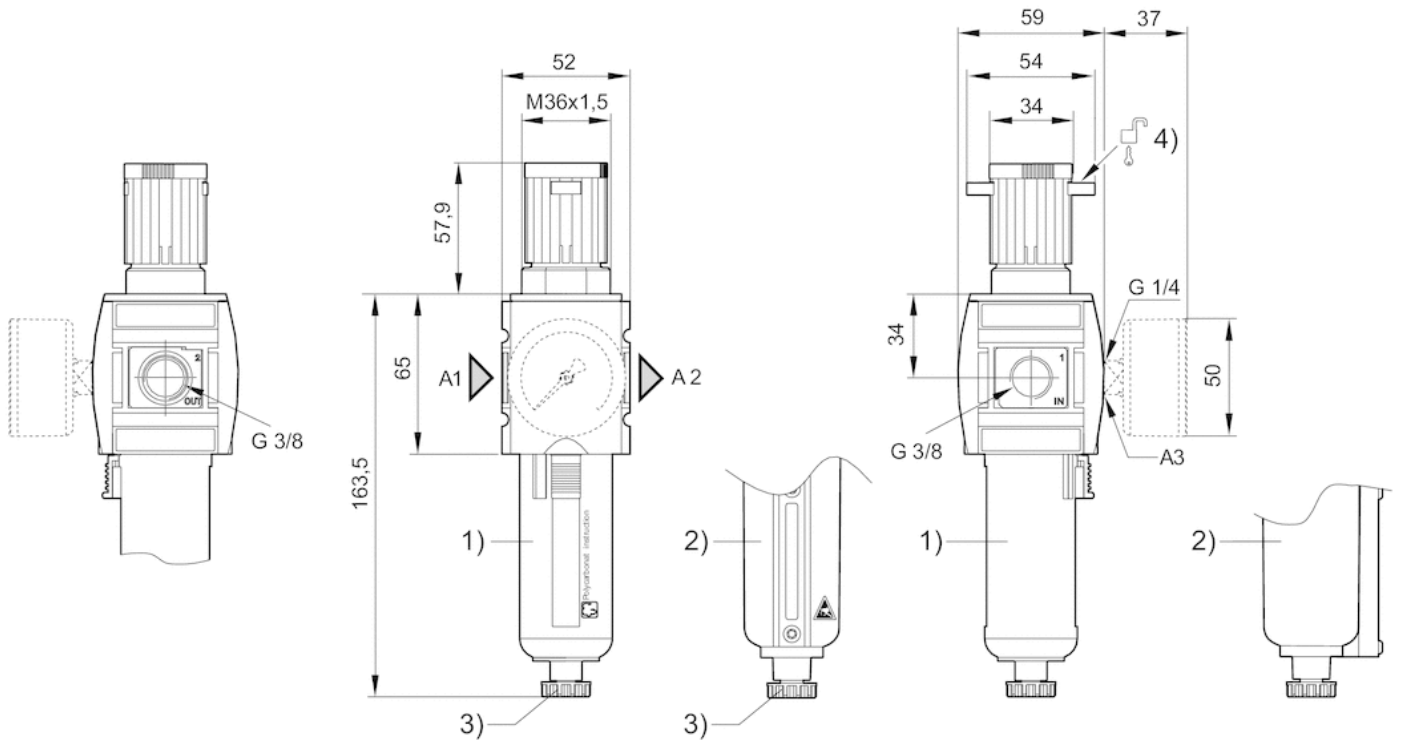
1) Plastic reservoir and protective guard with window

2) Metal reservoir

3) Fully automatic condensate drain

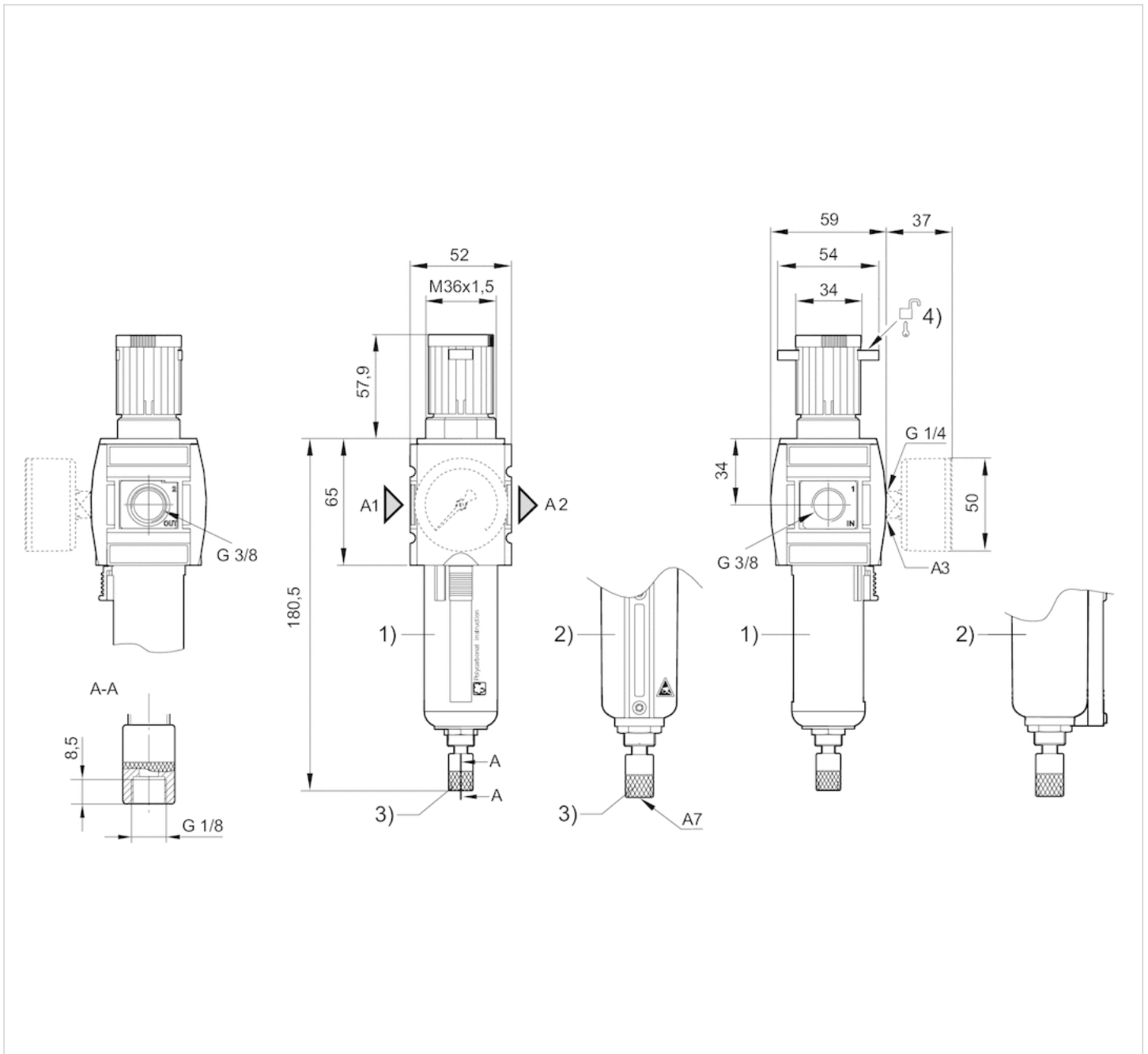
4) Mounting option for padlocks, max. shackle Ø 8

Dimensions in mm, Fig. 3



- A1 = input
- A2 = output
- A3 = pressure gauge connection
- 1) Plastic reservoir and protective guard with window
- 2) Metal reservoir
- 3) Semi-automatic condensate drain
- 4) Mounting option for padlocks, max. shackle Ø 8

Dimensions in mm, Fig. 4



A1 = input

A2 = output

A3 = pressure gauge connection

A7 = condensate drain

1) Plastic reservoir and protective guard with window

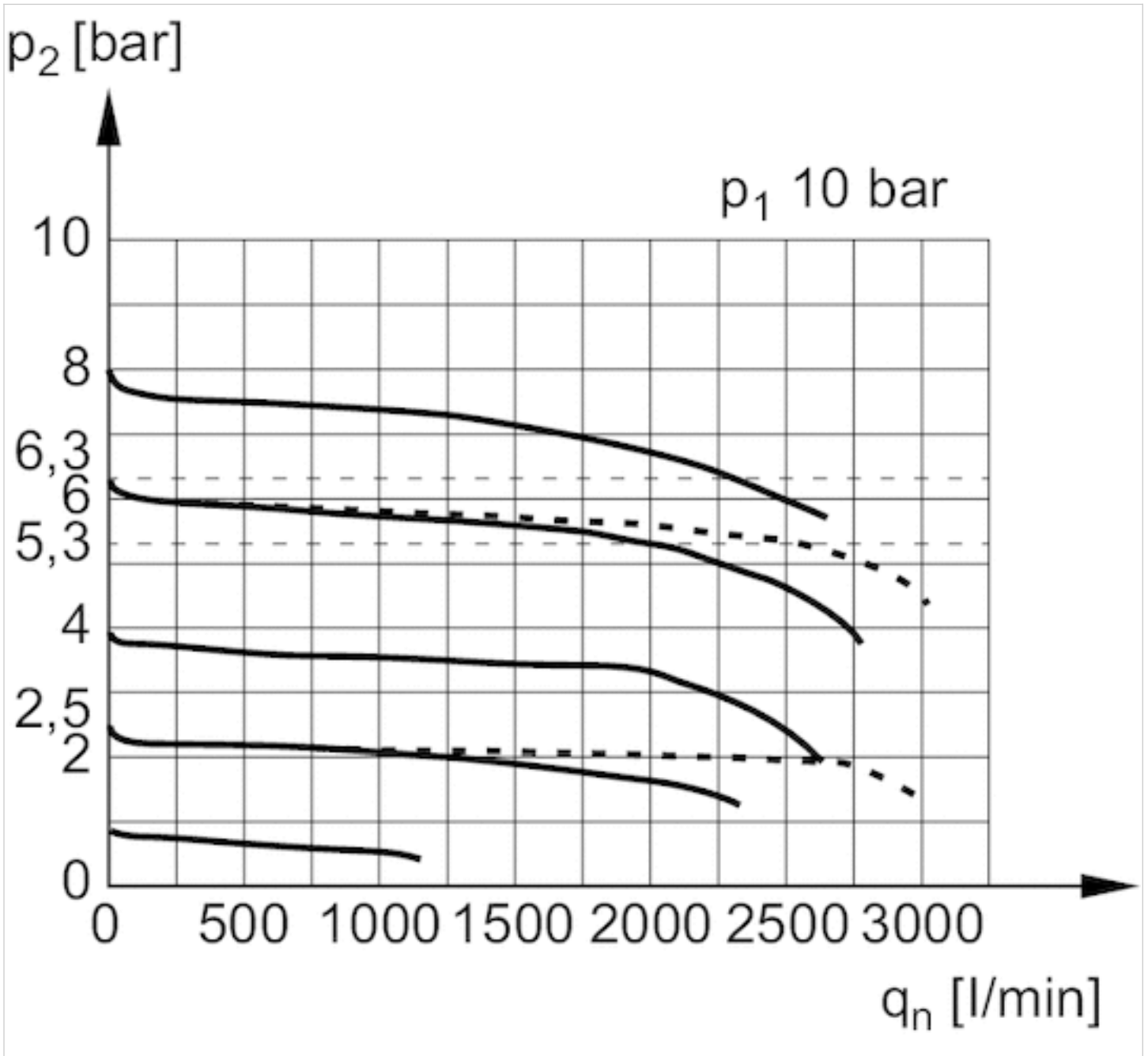
2) Metal reservoir

3) Fully automatic condensate drain

4) Mounting option for padlocks, max. shackle Ø 8

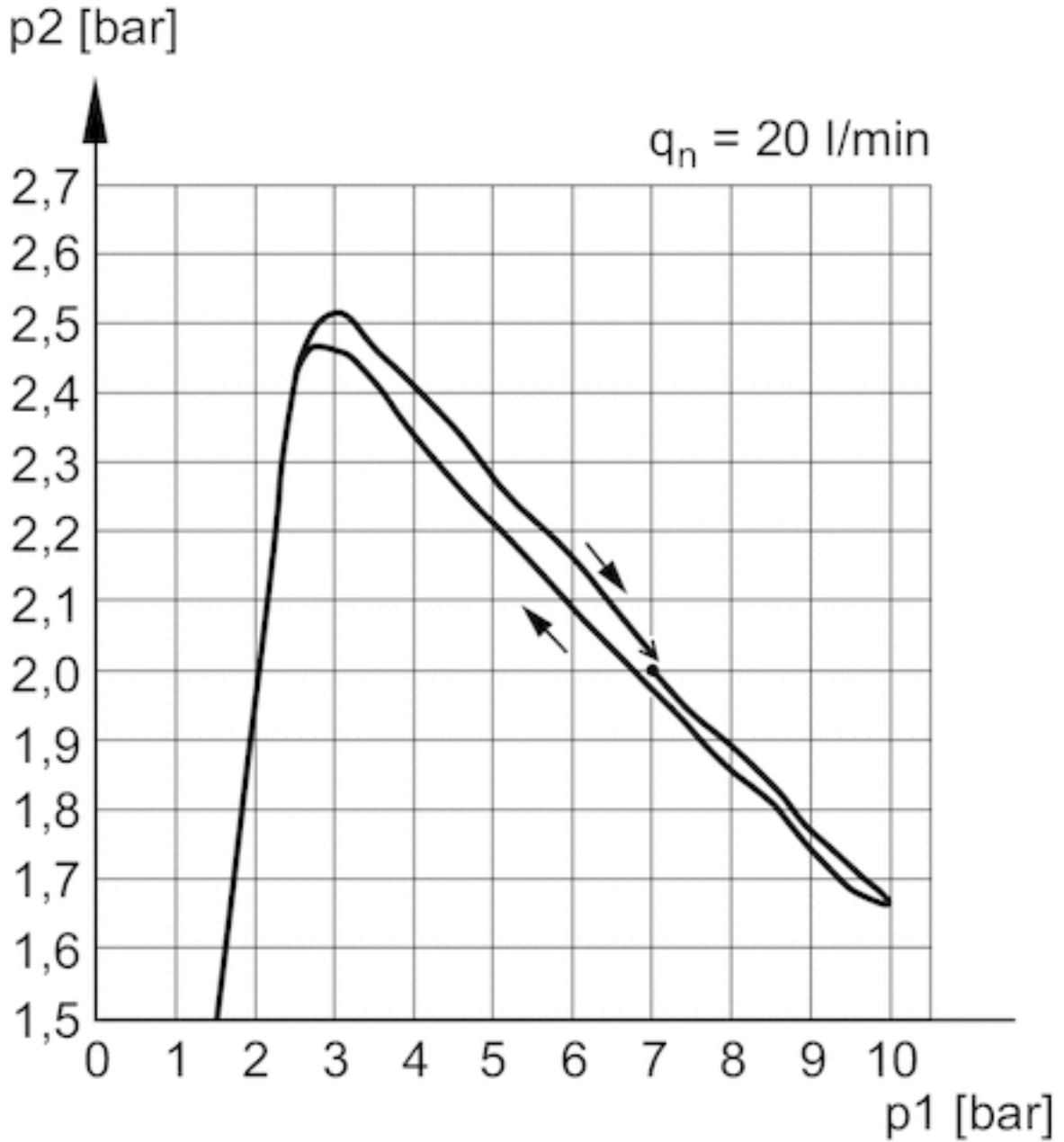
Diagrams

Flow rate characteristic



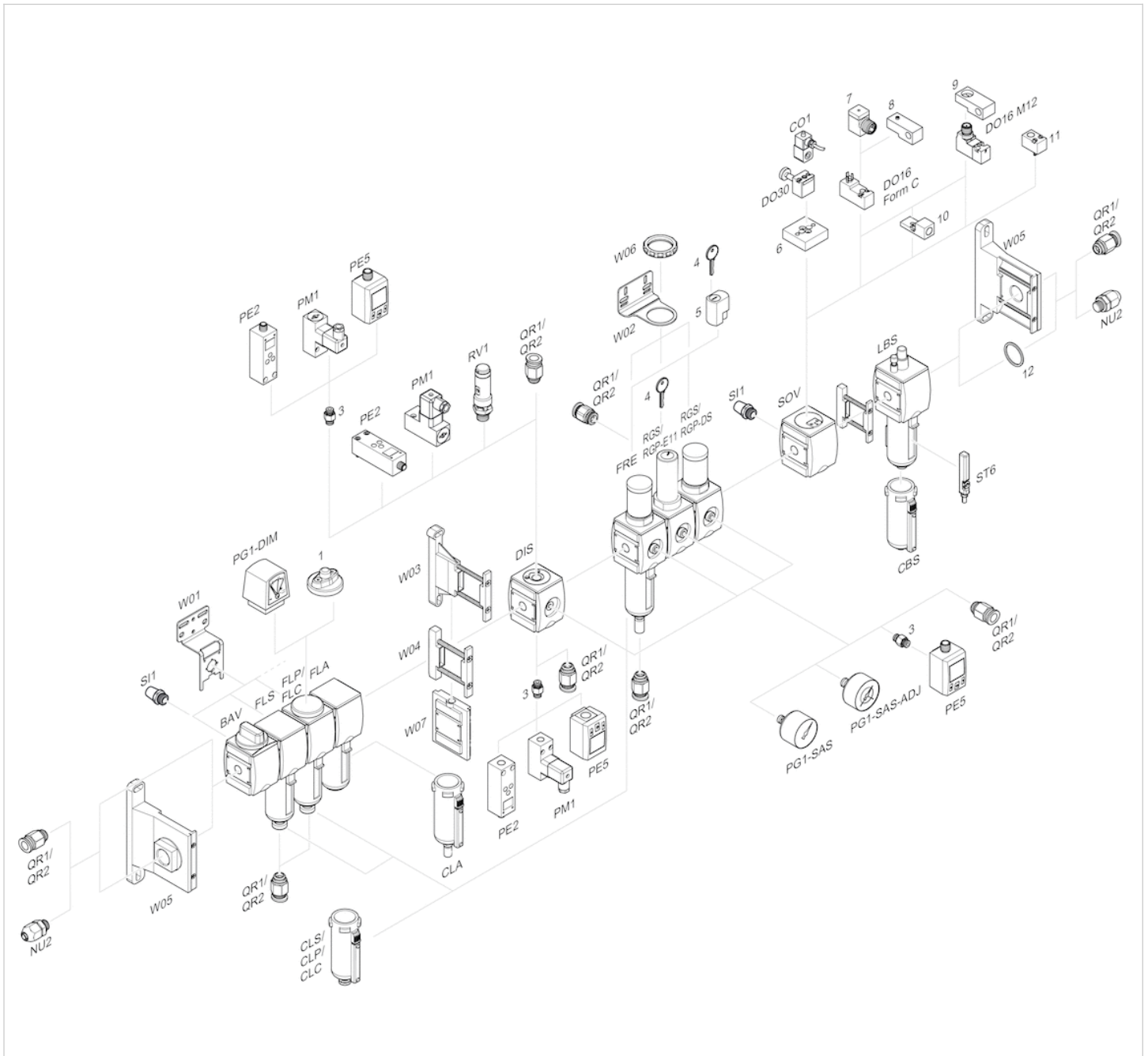
p_1 = Working pressure
 p_2 = Secondary pressure
 q_n = Nominal flow

Pressure characteristics curve, Version with safe rear exhaust in case of drop (removal) of pilot pressure



p_1 = Working pressure
 p_2 = Secondary pressure
 q_n = Nominal flow

Accessories overview



- 1 = contamination display
- 3 = Double nipple
- 4 = Key for E11 locking
- 5 = mortise lock
- 6 = Transition plate DO30
- 7 = Adapter, Series CON-VP
- 8 = Mounting aid DO16, form C
- 9 = Mounting aid DO16, M12
- 10 = Adapter for external pilot air
- 11 = Adapter pneumatic operation
- 12 = Sealing ring

Efficient pneumatic solutions, our program: cylinders and drives, valves and valve systems, air supply management



Visit us: [Emerson.com/Aventics](https://www.emerson.com/Aventics)

Your local contact: [Emerson.com/contactus](https://www.emerson.com/contactus)



[Emerson.com](https://www.emerson.com)



[Facebook.com/EmersonAutomationSolutions](https://www.facebook.com/EmersonAutomationSolutions)



[LinkedIn.com/company/Emerson-Automation-Solutions](https://www.linkedin.com/company/Emerson-Automation-Solutions)



[Twitter.com/EMR_Automation](https://twitter.com/EMR_Automation)

An example configuration is depicted on the title page. The delivered product may thus vary from that in the illustration. Subject to change. This Document, as well as the data, specifications and other information set forth in it, are the exclusive property of AVENTICS GmbH. It may not be reproduced or given to third parties without its consent. Only use the AVENTICS products shown in industrial applications. Read the product documentation completely and carefully before using the product. Observe the applicable regulations and laws of the respective country. When integrating the product into applications, note the system manufacturer's specifications for safe use of the product. The data specified only serve to describe the product. No statements concerning a certain condition or suitability for a certain application can be derived from our information. The information given does not release the user from the obligation of own judgement and verification. It must be remembered that the products are subject to a natural process of wear and aging.

The Emerson logo is a trademark and service mark of Emerson Electric Co. Brand logotype are registered trademarks of one of the Emerson family of companies. All other marks are the property of their respective owners. © 2020 Emerson Electric Co. All rights reserved.
2020-12



CONSIDER IT SOLVED™