

**RESILIENT SEAT GATE VALVE PN10/16 SHORT PATTERN DIN 3202-F4 CTC EPDM**

Resilient seat gate valve full and total bore for water distribution.  
Sliding pad to facilitating the wedge movement up to DN200.  
3 NBR O ring on stem and NBR bonnet gasket.  
Possibility to change stem gasket under pressure from DN80 to DN1000

**EN 1074**

**Certificate**

**3.1**



**Size :** DN40 to DN1000  
**Connection :** Flanges PN10/16  
**Min Temperature :** -10°C  
**Max Temperature :** +70°C  
**Max Pressure :** 16 Bars up to DN400, 10 bars over  
**Specifications :** Non rising stem  
Clockwise to close (CTC)  
Full and total bore

**Materials :** Ductile iron body EN GJS-500-7

**RESILIENT SEAT GATE VALVE PN10/16 SHORT PATTERN DIN 3202-F4 CTC EPDM**

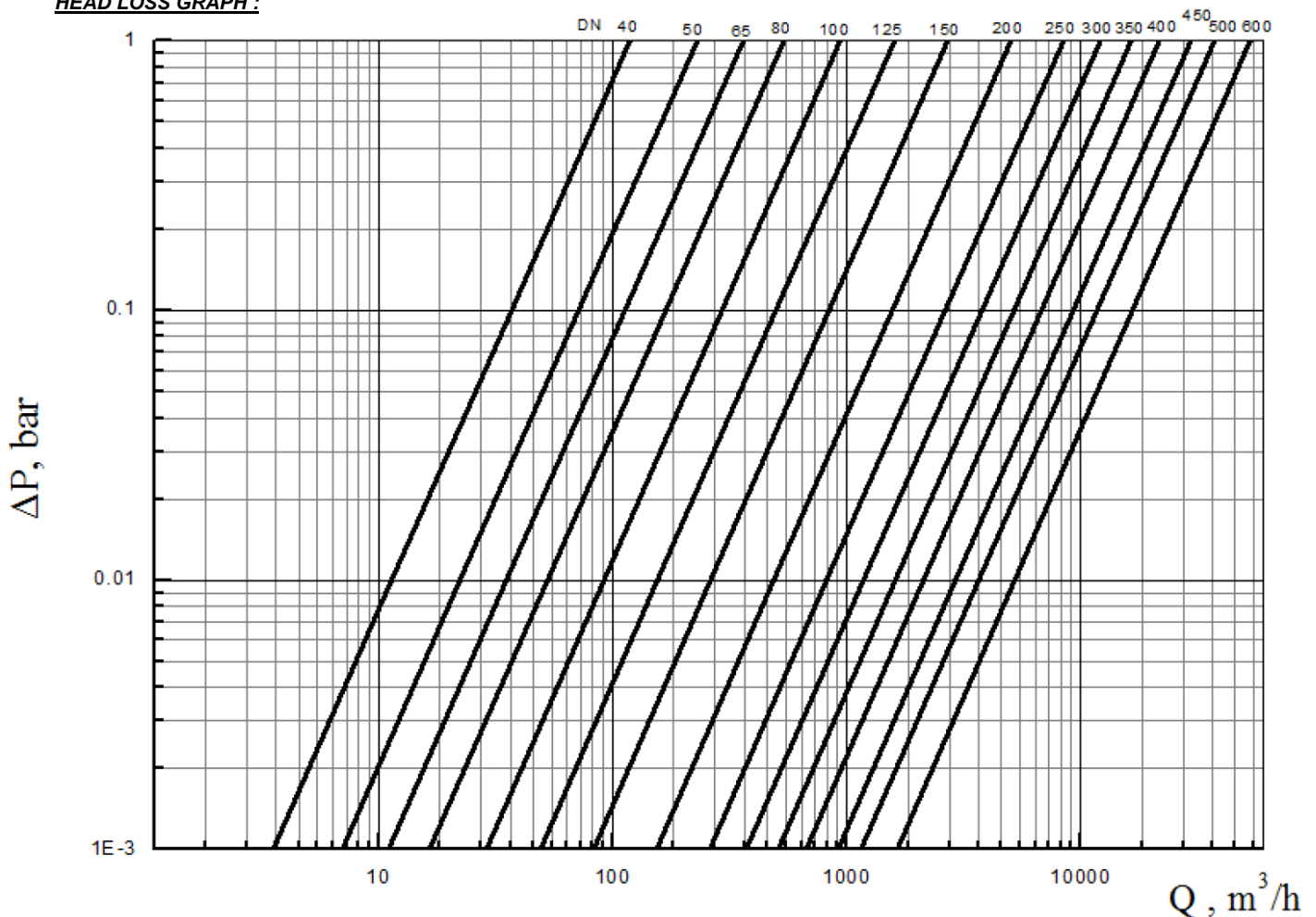
**SPECIFICATIONS :**

- Full and total bore
- Stainless steel non rising stem
- Clockwise to close (CTC)
- Sliding pad ( to facilitating the wedge movement ) up to DN200
- Ductile iron wedge EPDM
- No retention area
- Heel positioning
- NBR bonnet gasket
- Screws bonnet protected
- 3 NBR O ring on stem
- Possibility to change stem gasket under pressure from DN80 to DN1000
- Epoxy painting RAL 5005 color 250 µm thickness
- Dust-coat on stem
- PN10/16 flanges R.F.

**USE :**

- For water distribution
- Min and max Temperature Ts : - 10°C to + 70°C
- Max pressure Ps : 16 bars for PN16 flanged valves up to DN400
- Max pressure Ps : 10 bars for PN10 flanged valves from DN200 to 1000

**HEAD LOSS GRAPH :**



**RESILIENT SEAT GATE VALVE PN10/16 SHORT PATTERN DIN 3202-F4 CTC EPDM**

**FLOW COEFFICIENT Kvs ( M3 / h ) :**

DN	40	50	65	80	100	125	150	200	250	300
Kvs ( m3/h )	118	229	360	537	933	1595	2685	5004	8393	12072

DN	350	400	450	500	600	700	800	900
Kvs ( m3/h )	16348	21528	29372	37117	52626	66733	92011	161440

**HEAD LOSS CALCULATION FOR WATER :**

$$\Delta p = ( Q / Kvs )^2$$

Q : flow in m<sup>3</sup>/h

$\Delta p$  : Head loss in bar

**TORQUE VALUE ( in Nm without safety coefficient ) :**

DN	40	50	65	80	100	125	150	200	250	300
Torque ( Nm )	15	20	20	30	40	40	75	125	175	200

DN	350	400	450	500	600	700	800
Torque ( Nm )	325	350	430	460	480	1100	1250

**NUMBER OF CYCLES TO CLOSE OR OPEN THE VALVE :**

DN	40	50	65	80	100	125	150	200	250	300
Number of cycles	13	14.5	18.75	21.5	21.5	24.5	30	34	45.25	49.75

DN	350	400	450	500	600	700	800	1000
Number of cycles	55	61	52	57	66	72	82	102

**GEARBOX SPECIFICATIONS :**

DN	500	600	700	800	1000
Ref.	9801600	9801601	9801602	9801603	
Ratio factor	4.5 : 1	4.5 : 1	4.5 : 1	4.5 : 1	5.22 : 1
Number of cycles to close or to open the valve	256.5	297	324	369	532.4
Input torque ( Nm )	107	167	245	277	380
Max Output torque ( Nm )	900	1500	1500	1500	2800

**RESILIENT SEAT GATE VALVE PN10/16 SHORT PATTERN DIN 3202-F4 CTC EPDM**

**RANGE :**

- Ductile iron body with PN10/16 flanges R.F. and handwheel with EPDM wedge **Ref. 180** from DN 40 to DN 400
- Ductile iron body with PN10 flanges R.F. and handwheel with EPDM wedge **Ref. 180** DN 450 and 500
- Ductile iron body with PN10 flanges R.F. and gearbox with EPDM wedge **Ref. 180** from DN 600 to 1000

**ACCESSORIES :**



- Possible with square drive nut ( option ) **Ref. 9801831-9801838**



- Possible with gearbox ( on request ) from DN500 to DN800 **Ref. 9801600-9801603**

- Stem extension 1 meter long **Ref. 9802020** from DN50 to DN300 and **Ref. 9802029** from DN350 to DN400

- Stem extension 1,25 meter long **Ref. 9802031** from DN50 to DN300 and **Ref. 9802040** from DN350 to DN400



- Stem extension 1,5 meter long **Ref. 9802042** from DN50 to DN300 and **Ref. 9802051** from DN350 to DN400

- Stem extension 1,3 to 1,8 meter long **Ref. 9802060** from DN50 to DN200

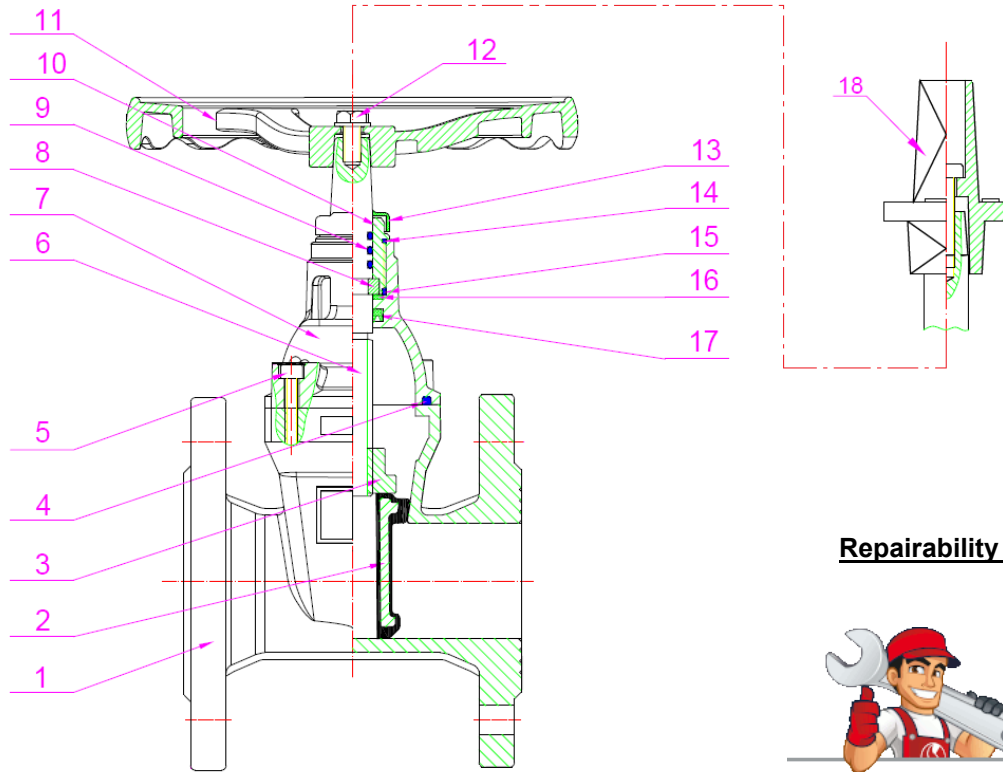


- Stem extension 2 to 2,5 meter long **Ref. 9802070** from DN50 to DN200

- Tee key
  - 1 meter long square 35 mm **Ref.9802080** from DN50 to DN300
  - 1.8 meter long square 35 mm **Ref.9802081** from DN50 to DN300
  - 1 meter long square 35 mm **Ref.9802082** from DN350 to DN400

**RESILIENT SEAT GATE VALVE PN10/16 SHORT PATTERN DIN 3202-F4 CTC EPDM**

**MATERIALS DN40-65 :**



**Repairability :**

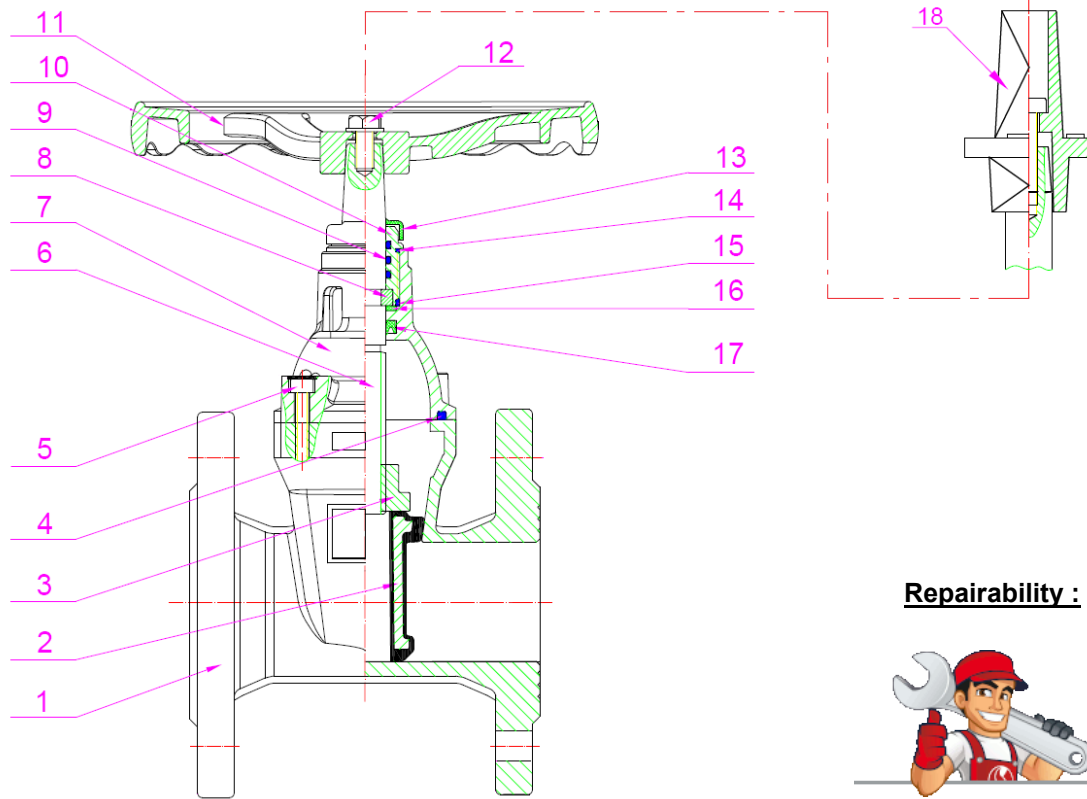


Item	Designation	Materials DN40-65
1	Body	Ductile iron EN GJS-500-7
2	Wedge	Ductile iron EN GJS-500-7 + EPDM
3	Stem nut	Brass CuZn40Pb3
4*	Gasket bonnet	NBR
5	Bonnet screw	Steel C35
6	Stem	SS 420
7	Bonnet	Ductile iron EN GJS-500-7
8	Holding ring	Brass CuZn39Pb2
9	O ring	NBR
10	Pusher nut	Brass CuZn39Pb2
11	Handwheel	Ductile iron EN GJS-500-7
12	Handwheel screw	SS 304
13*	Dust-coat	NBR
14	O ring	NBR
15	O ring	NBR
16	Ring	Nylon 66
17	Auto sealing ring	NBR
18	Square drive nut	Ductile iron EN GJS-500-7

*Gaskets refs		
DN (mm)	Bonnet gasket (4)	Dust-coat (13)
40	9801260	9802123
50	9801261	
65	9802162	

**RESILIENT SEAT GATE VALVE PN10/16 SHORT PATTERN DIN 3202-F4 CTC EPDM**

**MATERIALS DN80-300 :**



**Repairability :**

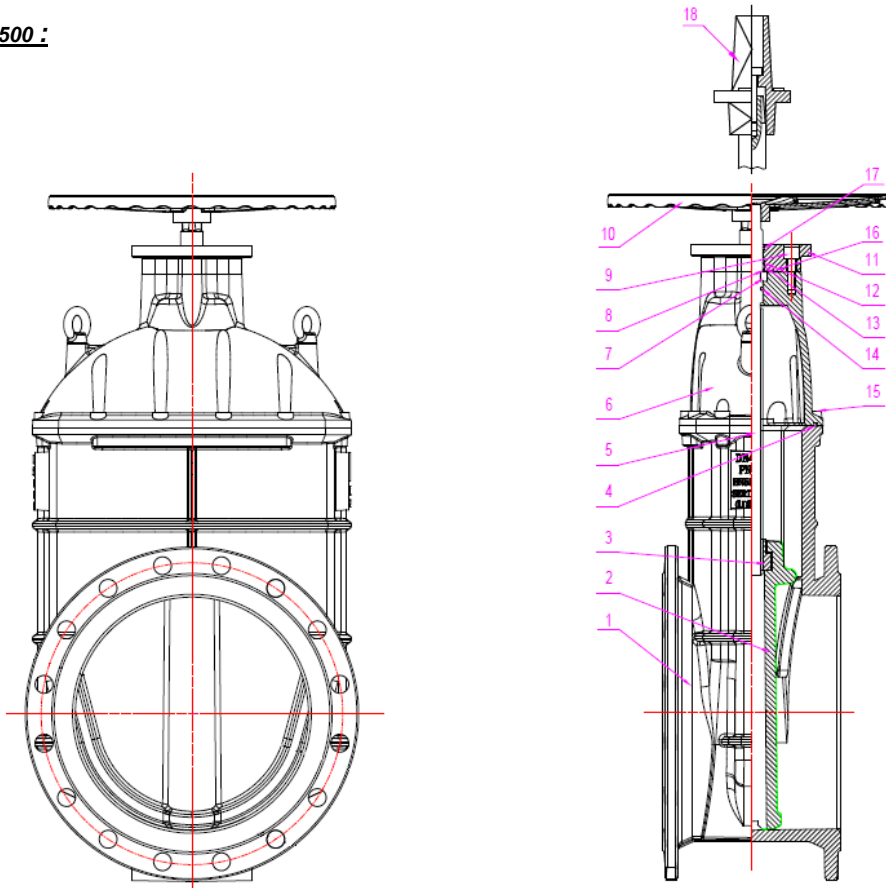


Item	Designation	Materials DN80-300
1	Body	Ductile iron EN GJS-500-7
2	Wedge	Ductile iron EN GJS-500-7 + EPDM
3	Stem nut	Brass CuZn40Pb3
4*	Gasket bonnet	NBR
5	Bonnet screw	Steel C35
6	Stem	SS 420
7	Bonnet	Ductile iron EN GJS-500-7
8	Holding ring	Brass CuZn39Pb2
9	O ring	NBR
10	Pusher nut	Brass CuZn39Pb2
11	Handwheel	Ductile iron EN GJS-500-7
12	Handwheel screw	SS 304
13*	Dust-coat	NBR
14	O ring	NBR
15	O ring	NBR
16	Ring	Nylon 66
17	Auto sealing ring	NBR
18	Square drive nut	Ductile iron EN GJS-500-7

*Gaskets refs		
DN (mm)	Bonnet gasket (4)	Dust-coat (13)
80	9802163	9802124
100	9802164	9802125
125	9802165	
150	9802166	
200	9802167	9802126
250	9802168	9802127
300	9802169	9802128

**RESILIENT SEAT GATE VALVE PN10/16 SHORT PATTERN DIN 3202-F4 CTC EPDM**

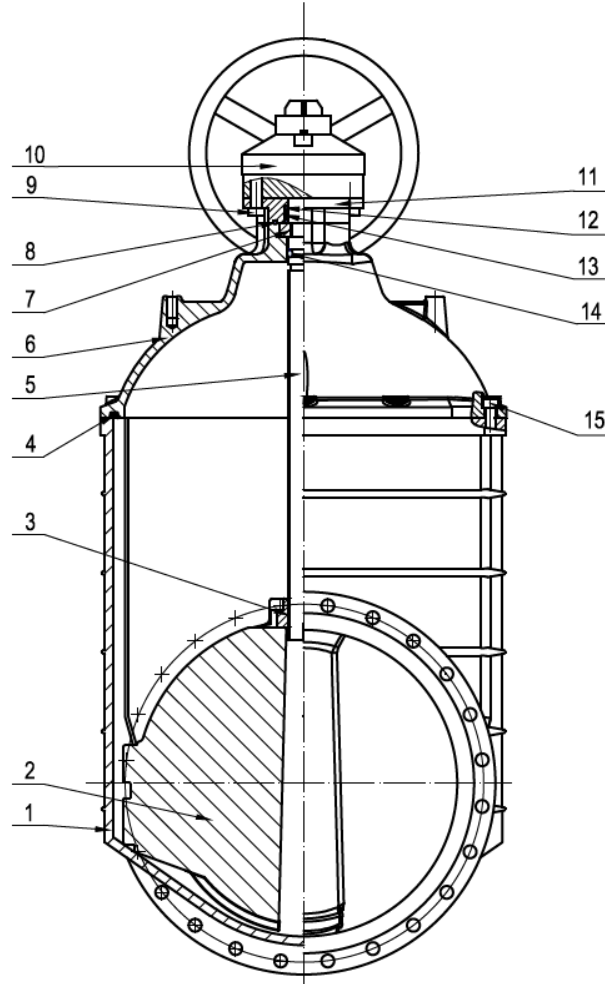
**MATERIALS DN350-500 :**



Item	Designation	Materials DN350-500
1	Body	Ductile iron EN GJS-500-7
2	Wedge	Ductile iron EN GJS-500-7 + EPDM
3	Stem nut	Brass CuZn39Pb2
4	Bonnet gasket	NBR
5	Stem	SS 420
6	Bonnet	Ductile iron EN GJS-500-7
7	Holding ring	Brass CuZn39Pb2
8	O ring	NBR
9	Screw	Steel Rst 37-2
10	Handwheel	Ductile iron EN GJS-500-7
11	Gland	Ductile iron EN GJS-500-7
12	O ring	NBR
13	Ring	Nylon 66
14	O ring	NBR
15	Bonnet bolt	Steel C35
16	O ring	NBR
17	Dust-coat	NBR
18	Square drive nut	Ductile iron EN GJS-500-7

**RESILIENT SEAT GATE VALVE PN10/16 SHORT PATTERN DIN 3202-F4 CTC EPDM**

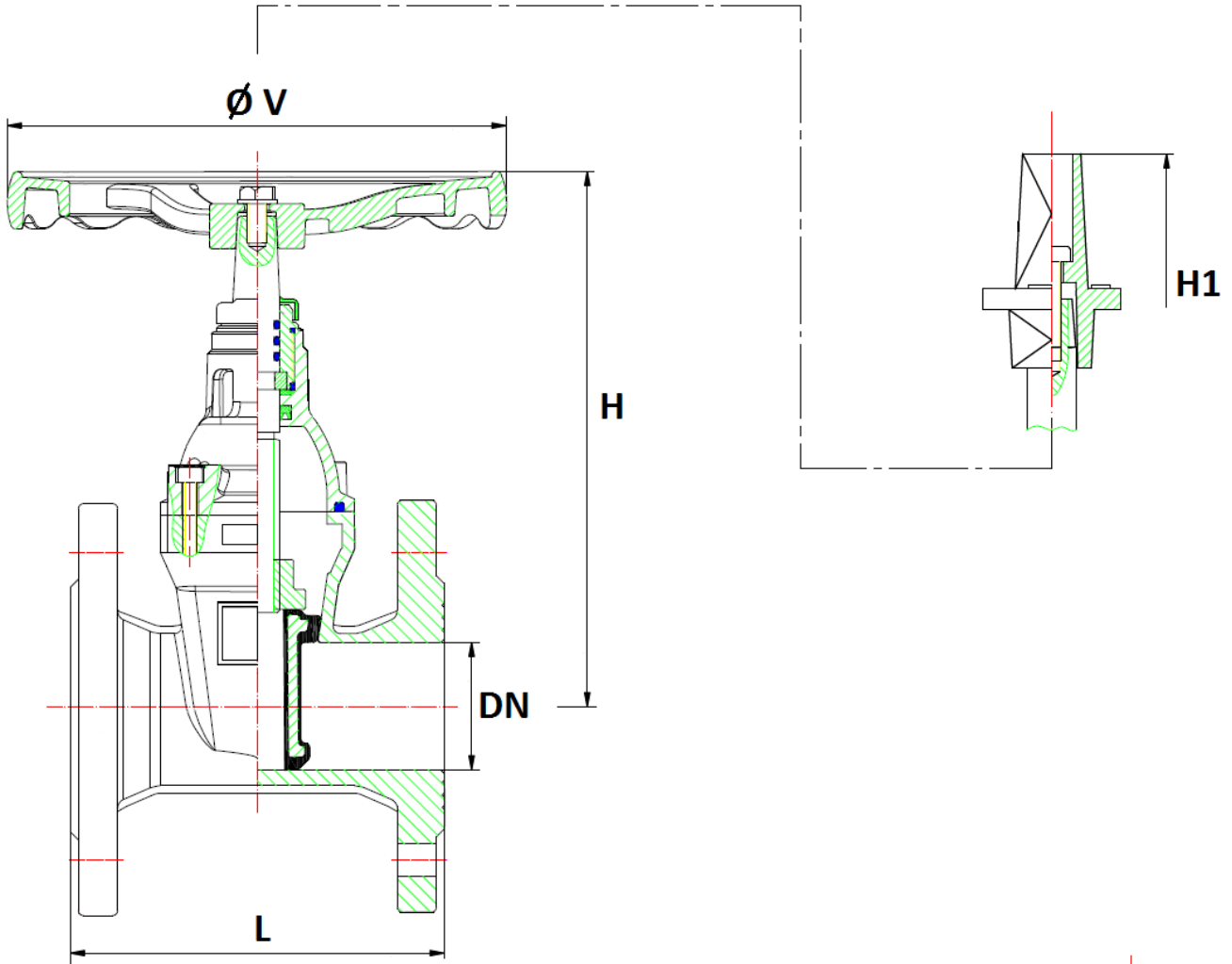
**MATERIALS DN600-1000 :**



Item	Designation	Materials DN600-1000
1	Body	Ductile iron EN GJS-500-7
2	Wedge	Ductile iron EN GJS-500-7 + EPDM
3	Stem nut	Brass CuZn39Pb2
4	Bonnet gasket	NBR
5	Stem	SS 420
6	Bonnet	Ductile iron EN GJS-500-7
7	Holding ring	Brass CuZn39Pb2
8	O ring	NBR
9	Screw	Steel Rst 37-2
10	Wheel	
11	Gland	Ductile iron EN GJS-500-7
12	O ring	NBR
13	Ring	Nylon 66
14	O ring	NBR
15	Bolt bonnet	Steel C35

**RESILIENT SEAT GATE VALVE PN10/16 SHORT PATTERN DIN 3202-F4 CTC EPDM**

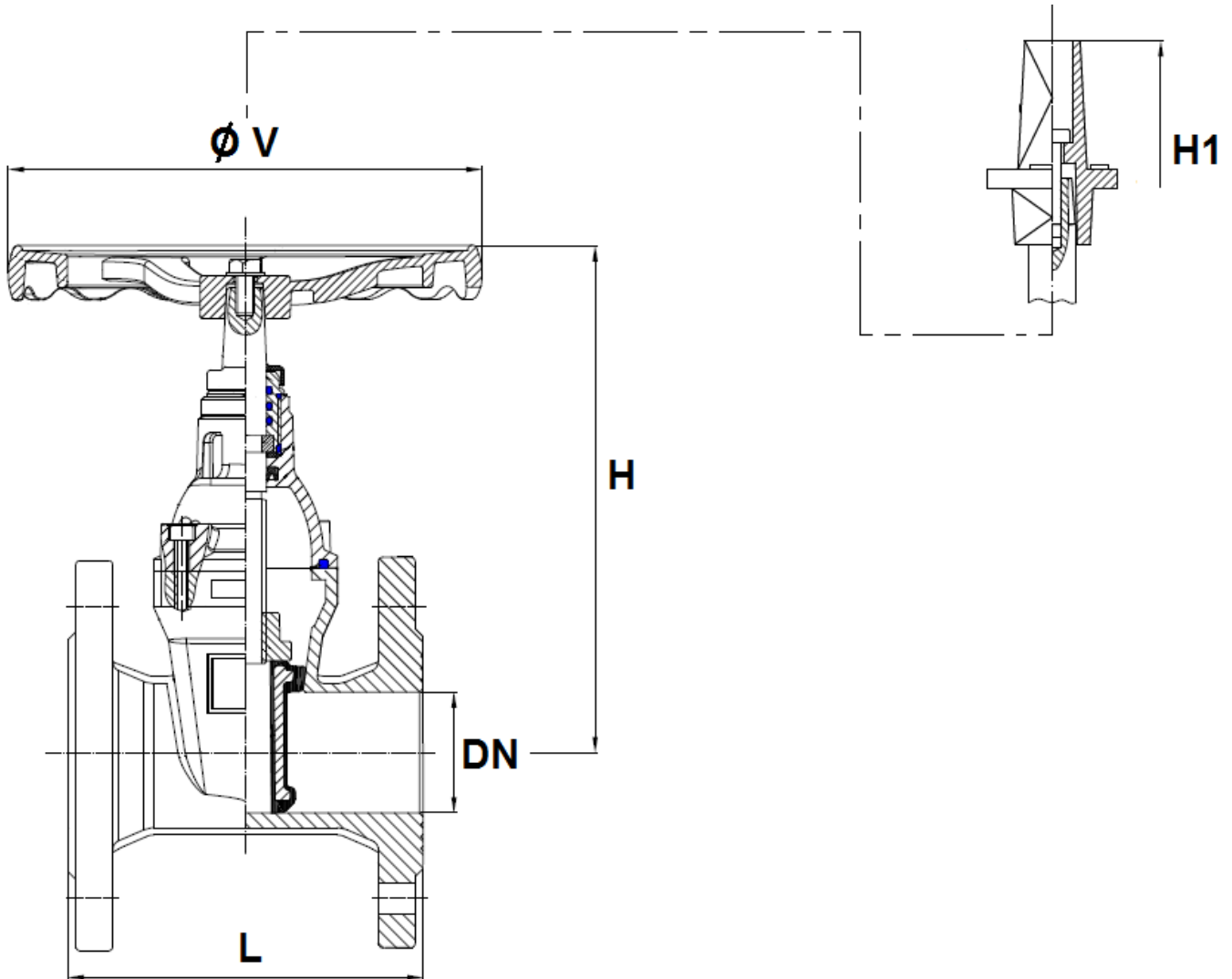
**HANDWHEEL VALVE SIZE DN 40 - 65 ( in mm ) :**



DN	40	50	60/65
L	140	150	170
H	190	215	235
H1	260	285	300
Ø V	200	200	200
Weight (in Kg)	7.37	8.56	12
Ref.	180040	180050	180066

**RESILIENT SEAT GATE VALVE PN10/16 SHORT PATTERN DIN 3202-F4 CTC EPDM**

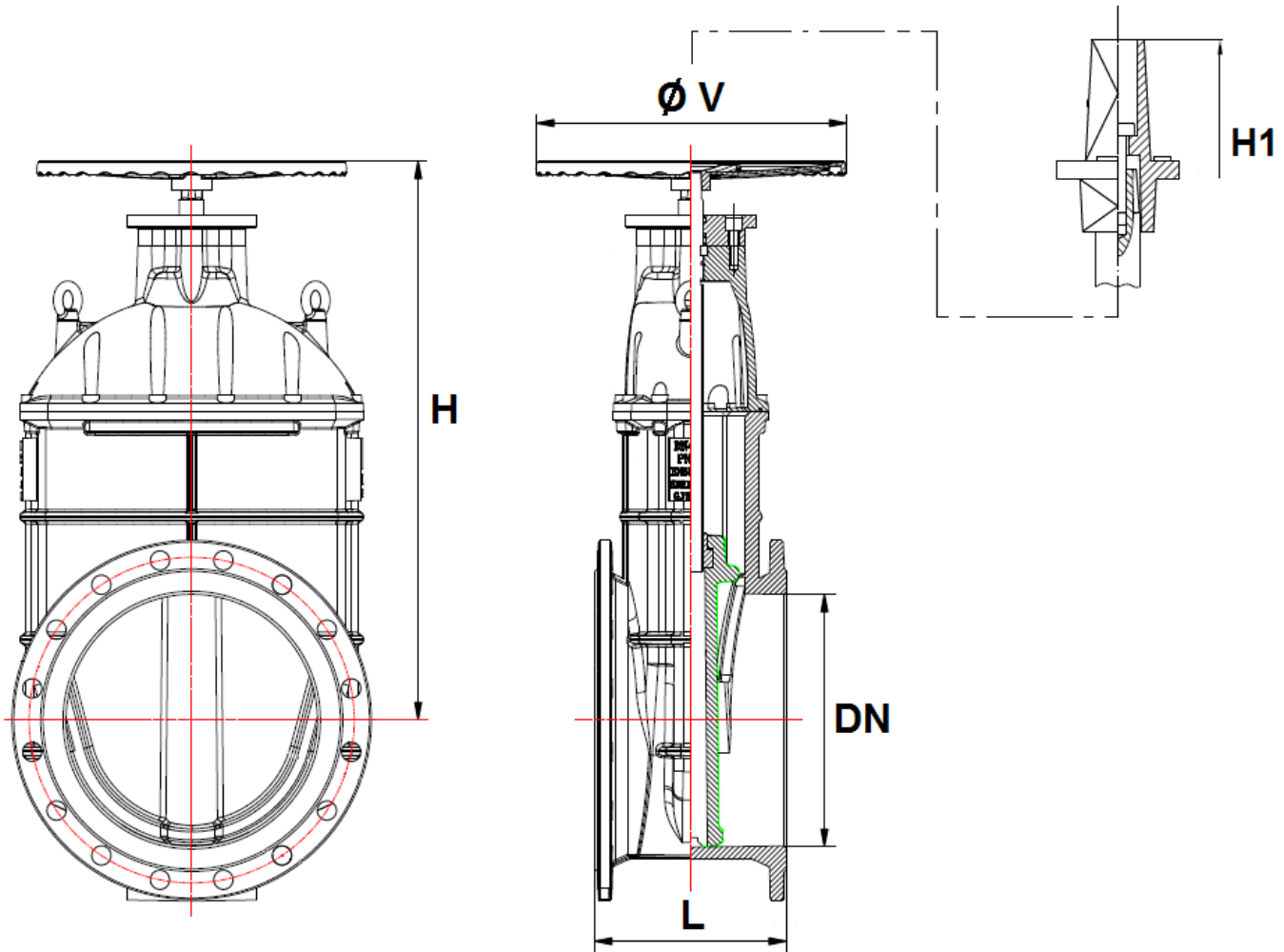
**HANDWHEEL VALVE SIZE DN 80 - 300 ( in mm ) :**



DN	80	100	125	150	200	250	300
L	180	190	200	210	230	250	270
H	265	315	350	385	485	600	680
H1	320	390	430	470	560	680	770
Ø V	254	254	315	315	315	406	406
Weight (Kg)	14	19.90	24.20	31.80	49.40	84.70	106
Ref.	180080	180100	180125	180150	180200	180250	180300

**RESILIENT SEAT GATE VALVE PN10/16 SHORT PATTERN DIN 3202-F4 CTC EPDM**

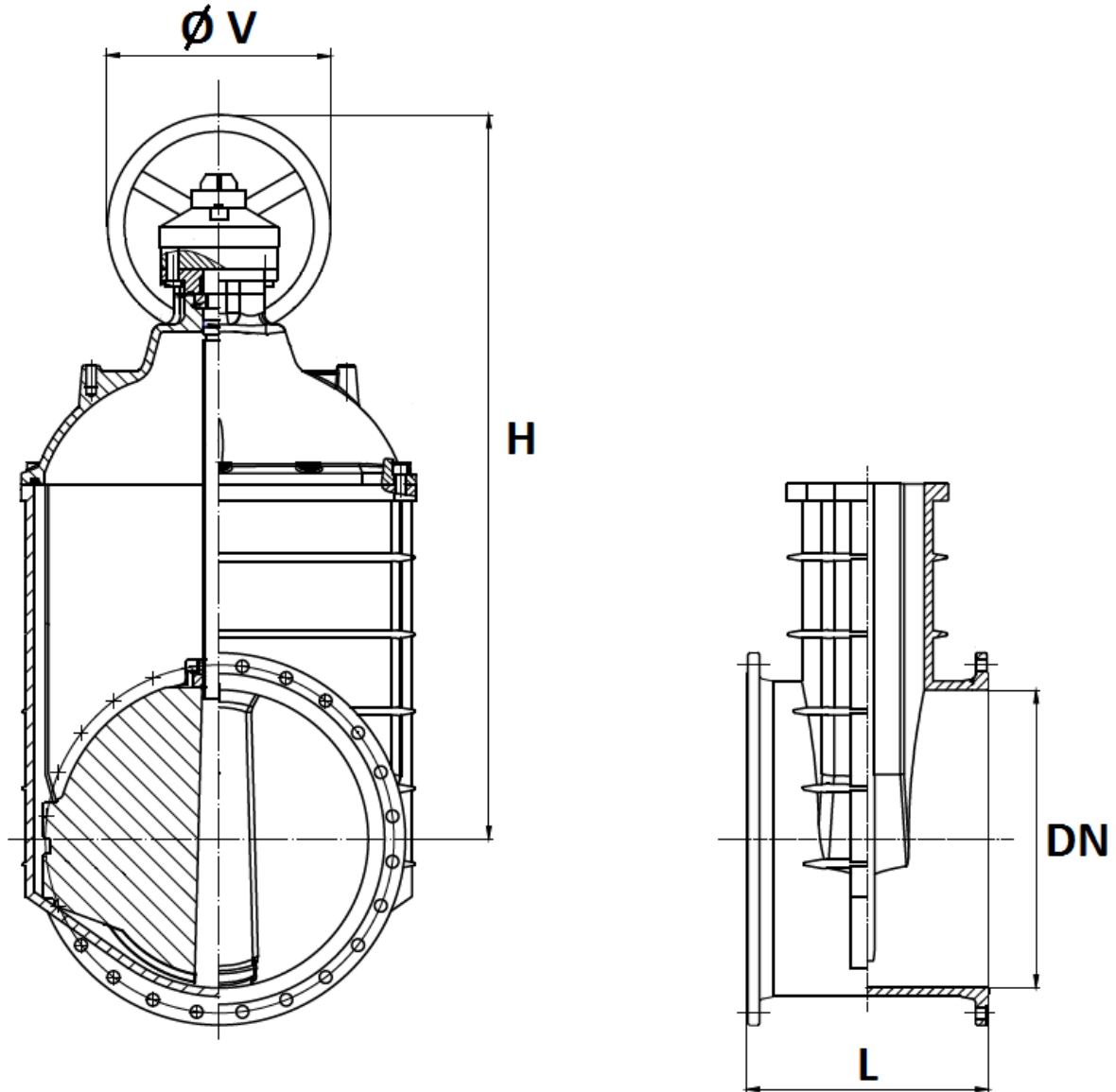
**HANDWHEEL VALVE SIZE DN 350 - 500 ( in mm ) :**



DN	350	400	450	500
L	290	310	330	350
H	810	890	1050	1230
H1	900	1000	1150	1330
Ø V	500	500	500	650
Weight (in Kg)	185	228	360	419
Ref.	180350	180400	180450	180500

**RESILIENT SEAT GATE VALVE PN10/16 SHORT PATTERN DIN 3202-F4 CTC EPDM**

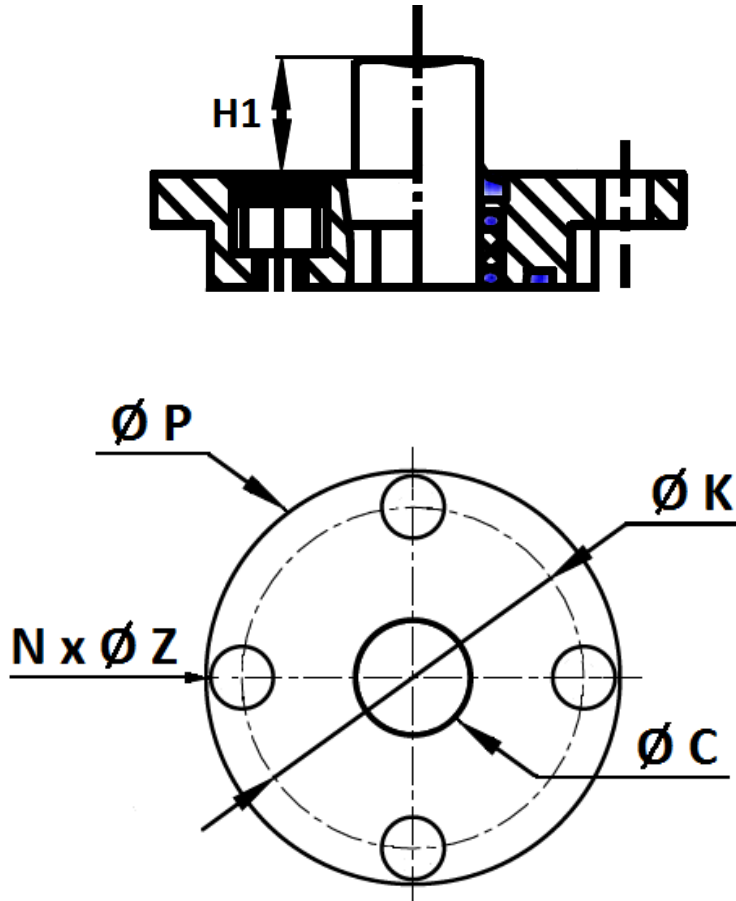
**GEARBOX VALVE SIZE DN 600 - 1000 ( in mm ) :**



DN	600	700	800	1000
L	390	430	470	550
H	1470	1640	1780	2350
Ø V	500	500	500	600
Weight (in Kg)	655	862	1024	2141
Ref.	180600	180700	180800	1801000

**RESILIENT SEAT GATE VALVE PN10/16 SHORT PATTERN DIN 3202-F4 CTC EPDM**

**STEM AND ISO MOUNTING PAD SIZE DN350-1000 ( in mm ) :**

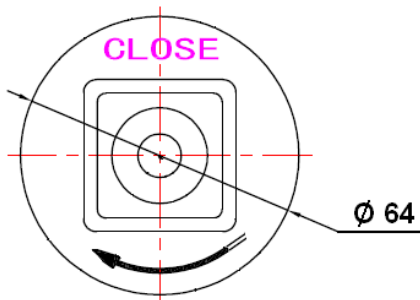
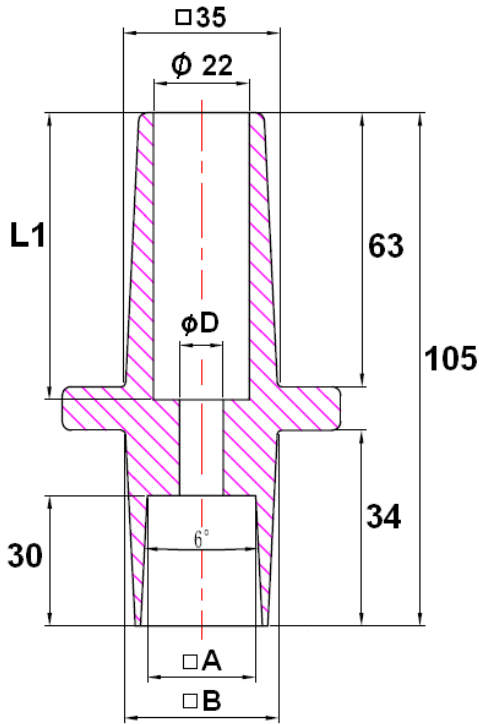


DN	350	400	450	500	600	700	800	1000
H1	60	60	80	80	80	80	80	100
Ø C	40	40	55	55	55	65	65	75
Ø P	210	210	210	300	300	300	300	350
Ø K	165	165	165	254	254	254	254	298
ISO	F16	F16	F25	F25	F25	F25	F25	F30
N x Ø Z	4 x 23	4 x 23	8 x 18	8 x 18	8 x 18	8 x 18	8 x 18	8 x 23

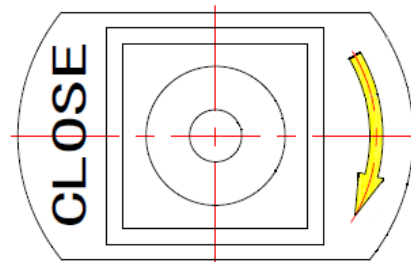
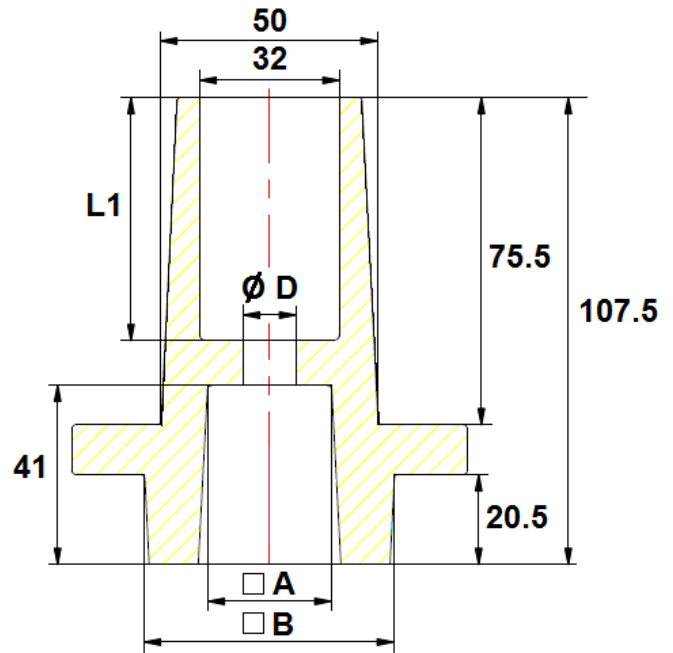
**RESILIENT SEAT GATE VALVE PN10/16 SHORT PATTERN DIN 3202-F4 CTC EPDM**

**SQUARE DRIVE NUT SIZE ( in mm ) :**

**DN 40 – 300**



**DN 350 - 400**

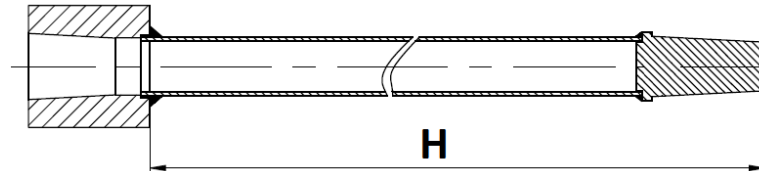


DN	40	50	65	80	100	125	150	200	250	300	350	400
A	14	14	14	17	17	19	19	19	24	24	28.5	28.5
B	34	34	34	34	34	36	36	36	42.5	42.5	57.5	57.5
L1	66	66	66	63	63	63	63	63	63	63	56	56
Ø D	10	10	10	10	10	10	10	10	12	12	12	12
Weight ( Kg )	0.7	0.7	0.7	0.6	0.6	0.6	0.6	0.6	0.7	0.7	0.96	0.96
Ref.	9801831	9801831	9801831	9801832	9801832	9801833	9801833	9801833	9801834	9801834	9801838	9801838

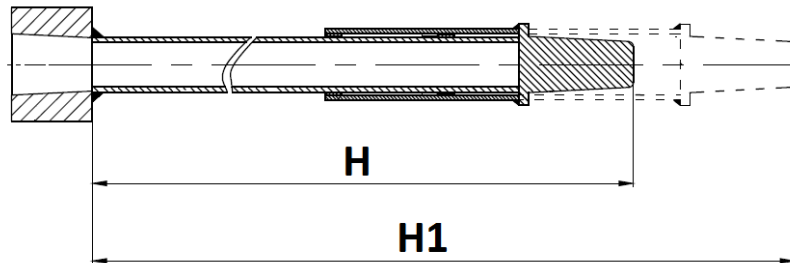
**RESILIENT SEAT GATE VALVE PN10/16 SHORT PATTERN DIN 3202-F4 CTC EPDM**

**STEM EXTENSION SIZE DN50-400 ( in mm ) :**

**FIXED TYPE**



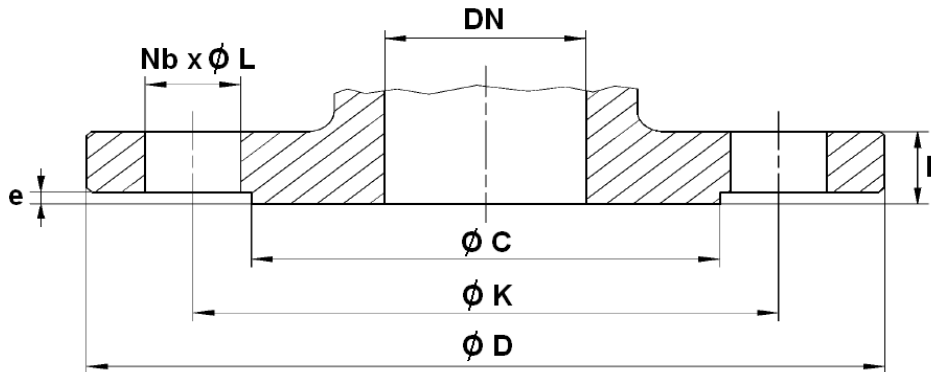
**TELESCOPIC TYPE**



Ref.	DN	H	H1	Weight (Kg)
9802020	50-300	1000	-	3.7
9802031	50-300	1250	-	4.2
9802042	50-300	1500	-	4.5
9802060	50-200	1300	1800	9.6
9802070	50-200	2000	2500	11.8
9802029	350-400	1000	-	5.7
9802040	350-400	1250	-	6.5
9802051	350-400	1500	-	7.4

**RESILIENT SEAT GATE VALVE PN10/16 SHORT PATTERN DIN 3202-F4 CTC EPDM**

**FLANGES PN10 SIZE ( in mm ) :**



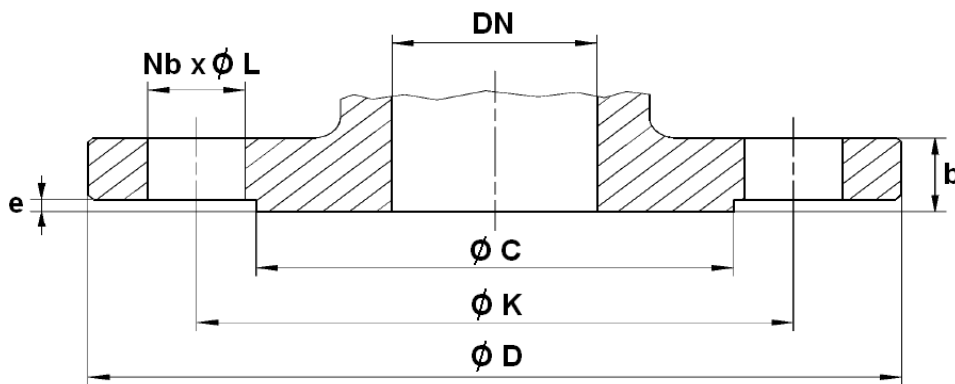
\* DN60/65 double holes

PN	PN10/16								PN10		
DN	40	50	60/65*	65	80	100	125	150	200	250	300
Ø C	84	99	114	118	132	156	184	211	266	319	370
Ø D	150	165	185	185	200	220	250	285	340	405	460
Ø K	110	125	135/145	145	160	180	210	240	295	350	400
Nb x Ø L	4 x 19	4 x 19	4 x 19	4 x 19	8 x 19	8 x 19	8 x 19	8 x 23	8 x 23	12 x 23	12 x 23
b	19	19	19	19	19	19	19	19	20	22	24.5
e	3	3	3	3	3	3	3	3	3	3	4
Ref.	180040	180050	180066	180065	180080	180100	180125	180150	180200	180250	180300

PN	PN10							
DN	350	400	450	500	600	700	800	1000
Ø C	429	480	530	582	682	794	901	1112
Ø D	520	580	640	715	840	910	1025	1255
Ø K	460	515	565	620	725	840	950	1160
Nb x Ø L	16 x 23	16 x 28	20 x 28	20 x 28	20 x 31	24 x 31	24 x 33	28 x 37
b	26.5	28	30	31.5	36	39.5	43	50
e	4	4	4	4	5	5	5	5
Ref.	180350	180400	180450	180500	180600	180700	180800	1801000

**RESILIENT SEAT GATE VALVE PN10/16 SHORT PATTERN DIN 3202-F4 CTC EPDM**

**FLANGES PN16 SIZE ( in mm ) :**



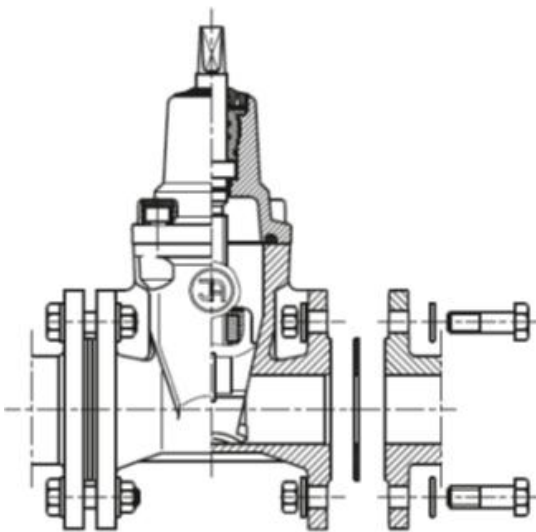
PN	PN16				
DN	200	250	300	350	400
$\varnothing C$	266	319	370	429	480
$\varnothing D$	340	405	460	520	580
$\varnothing K$	295	355	410	470	525
Nb x $\varnothing L$	12 x 23	12 x 28	12 x 28	16 x 28	16 x 31
b	20	22	24.5	26.5	28
e	3	3	4	4	4
Ref.	180201	180251	180301	180351	180401

**RESILIENT SEAT GATE VALVE PN10/16 SHORT PATTERN DIN 3202-F4 CTC EPDM**

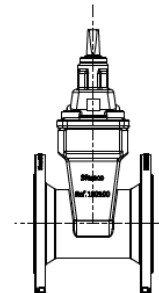
**STANDARDS :**

- Manufacturer certified ISO 9001 :2015 and ISO 14001 : 2015
- DIRECTIVE 2014/68/EU : For liquids of Group 2
  - Products excluded (article 1, § 2b)
- Certificate 3.1 on request
- Designing according to DIN EN 1171
- Pressure tests according to EN 12266-1, Rate A
- Length according to EN 558 series 14 ( DIN 3202 F4 )
- Flanges according to EN 1092-2 PN10/16

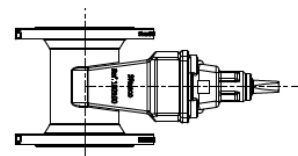
**INSTALLATION POSITIONS :**



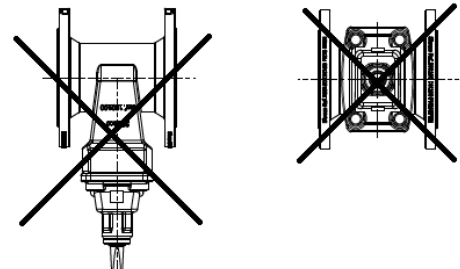
**Recommended :**



**Acceptable :**



**Non acceptable :**



**ADVICE :** Our opinion and our advice are not guaranteed and SFERACO shall not be liable for the consequences of damages. The customer must check the right choice of the products with the real service conditions.