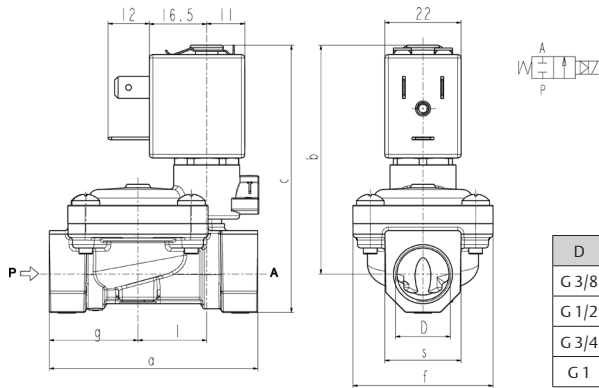


# ASCO™ SOLENOID VALVE

## 2/2 NORMALLY CLOSED – PILOT OPERATED - G 3/8 ÷ G 1

SERIES  
**L182**



D	a	b	c	f	g	l	s
G 3/8	60	66	77	40	25,5	20	22
G 1/2	66	68	82	40	29	20	27
G 3/4	79	72,5	89	50	35,5	24,5	33
G 1	105	85	106	71	46	28	42



### General Features

Diaphragm valve, pilot operated, having full orifice.

Suitable to shut off liquid and gaseous fluids (verify the compatibility of fluid with material in contact).

Technical Features				
Maximum allowable pressure (PS)	20 bar			
<b>Response times</b>	<b>3/8</b>	<b>1/2</b>	<b>3/4</b>	<b>1</b>
Opening time (ms)	70	70	70	90
Closing time (ms)	670	600	500	420
Fluid temperature	-10°C +90°C (NBR) 0°C +130°C (FPM) -10°C +140°C (EPDM)*  WRAS			
Max viscosity	5°E (~ 37 cStokes or mm²/s)			

\* Maximum operating temperature 85°C in compliance with WRAS approval

Materials In Contact With Fluid	
Body	Brass
Sealing	NBR or FPM or EPDM
Internal components	Brass and stainless steel
Seat	Brass
Core tube	Stainless steel
Shading coil	Copper

Coil	ZB10A	ZB12A*	ZB14A*
Approval	/	UL and CSA	UL and CSA
Encapsulation material	PA fiberglass reinforced	PET fiberglass reinforced	PET fiberglass reinforced
Insulation class	F (155°C)	F (155°C)	H (180°C)
Ambient temperature	-10°C +60°C	-10°C +60°C	-10°C +75°C
Continuous duty	ED 100%		
Electric connection	DIN 46340 - 3 poles plug connector		
Protection degree	IP 65 (EN 60529) with plug connector	IP 67 (EN 60529) with plug connector	IP 67 (EN 60529) with plug connector
Voltages	DC	12-24V (+10% -5%)	
	AC	24V/50-60Hz - 115V/50Hz - 230V/50-60Hz (+10% -15%) (Other voltages and frequencies on request)	

### \*On Request

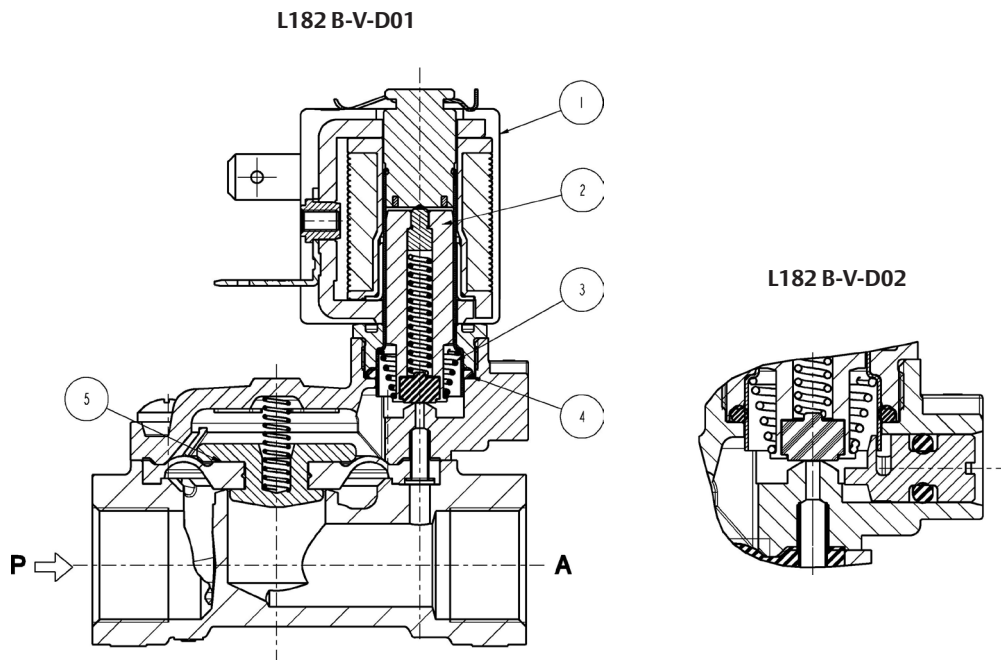
Coil	/	ZB12Y	ZB14Y
Approval	/	UL	UL
Voltages	AC	220-230V/50Hz 208-240V/60Hz (+10% -15%)	

Port size ISO 228	Orifice size (mm)	Differential pressure (bar)				Kv (m³/h)	Series and type			Power absorption				Sealings	Notes	Weight (kg)	
		Δp min	Δp max		Valve		Valve with manual override	Coil	AC (VA)			DC					
			Gases	Liquids					Inrush	VA	W		W				
3/8	13,5	0,35	16	16	16	16	L182(*)01	L182(*)02	ZB10A ZB12A	12	6	4	5,5	(*) = B (NBR) (*) = V (FPM) (*) = D (EPDM)	1-3	0,32	
1/2			16 (12)	16 (12)	16 (12)	16 (12)										3,8	0,38
3/4	18		12	12	12	12										5	0,52
1	24		12 (10)	12 (10)	12 (10)	12 (10)										12	1,08

### Notes

- Sealings: B(NBR)=Nitrile-butylene elastomer V(FPM)=Fluoro-carbon elastomer D(EPDM)=Ethylene-propylene elastomer (WRAS/KTW certified compound)
  - Operation with gaseous media, at high pressure without any outlet restriction, can reduce the diaphragm life.
  - On request coil in class H (ZB14A – see § “COIL”)
  - The bracketed values of Δp max are related to valves with V(FPM) seals.
- 1 - Low power consumption coil on request (3,5 VA in AC – 3W in DC): Δp max = 12 bar  
 2 - Low power consumption coil on request (3,5 VA in AC – 3W in DC): Δp max = 8 bar  
 3 - WRAS approved solenoid valve (certificate n. 2007001)

Spare Parts



Kit description	Model	Port Size	Kit P.N.	Consisting of:
Core kit	L182B-V		G3138201	Core kit pos.2
	L182D		G3138202	Core return spring pos. 3 O-Ring guide assembly pos. 4
Diaphragm assembly	L182B	3/8-1/2	2844302R	Diaphragm assembly pos.5
	L182V	3/8-1/2	2844303R	
	L182D	3/8-1/2	2844306R	
	L182B	3/4	2299701R	
		1	2380101R	
	L182V	3/4	2299702R	
		1	2380102R	
	L182D	3/4	2299708R	
	1	2380106R		
Coil			ZB10 ZB12 ZB14	Coil pos.1

**Installation**

- Solenoid valve can be mounted in any position; vertical with coil upwards preferred.

THE VALIDITY OF REPORTED DATA IS REFERRED TO THE DATE OF ISSUE. POSSIBLE UPDATES ARE AVAILABLE ON REQUEST