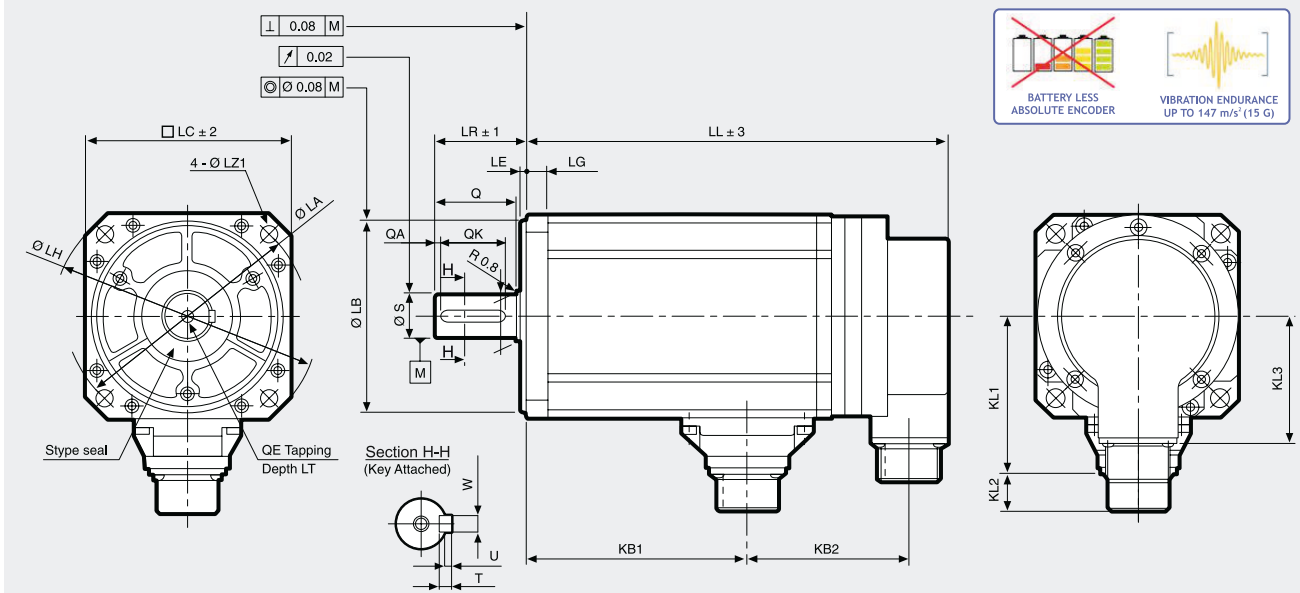


Q2AA10150BXR48M (Q2AA10150BCR48M)

SANYO DENKI
SANMOTION



Dimensions (Unit:mm)

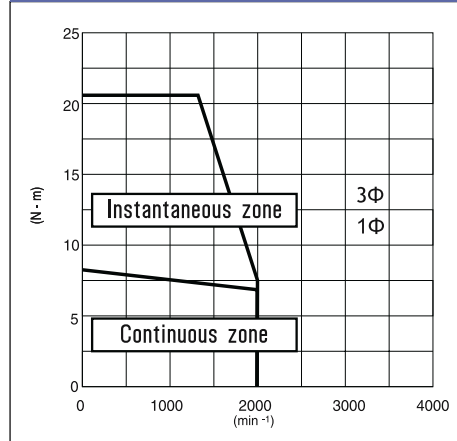


without brake		with brake		KL1	KL2	KL3	LG	LA	LB	LE	LH	LC	LZ1	LZ2	LR	S	Q	QA	QK	W	T	U	KB1	QE	LT
LL	KB2	LL	KB2																						
237	88	272,5	124	78	19	64	10	115	95-0.035	3	130	100	9	--	45	22-0.013	40	3	32	6-0.030	6	2.5	128	M6	20

FEATURES

MODEL	Q2AA10150BXR48M	
NOMINAL POWER	(W)	1500
NOMINAL SPEED	(rpm)	2000
MAXIMUM SPEED	(rpm)	2000
NOMINAL TORQUE	(Nm)	7.2
STALL TORQUE	(Nm)	7.7
MAXIMUM TORQUE	(Nm)	20.5
INERTIA	(Kg*m ²)	8.0×10 ⁻⁴
BATTERY LESS ABSOLUTE ENCODER	SINGLE TURN: 131072 imp/rev (17 bit) MULTI TURN: 65536 turns	
PROTECTION DEGREE	IP67	
WEIGHT	[version with brake] (Kg)	7.0 [8.5]

TORQUE CURVE Q2AA10150B [1.5kW] + RS3A03



R.T.A. s.r.l. PAVIA (ITALY) SANYO DENKI CO., Ltd (JAPAN)



Indicated performances refer to motor controlled by related new RS3 standard and EtherCat amplifiers.

1Φ = torque curve with single-phase power supply
3Φ = torque curve with three-phase power supply



Suggested amplifiers: RS3A03A0ALOW00P, RS3A03A2HA4W00P, RS3A03A0AL2



R.T.A. s.r.l.
Via E. Mattei - Fraz- Divisa
27020 Marcignago (PV) (Italy)
T +39.0382.929.855
F +39.0382.929.150
www.rta.it

R.T.A. Deutschland GmbH
Bublitzter Strasse 34, 40599
Duesseldorf (Germany)
T +49.211.749.668.60
F +49.211.749.668.66
www.rta-deutschland.de

R.T.A. IBERICA
C/Generalitat 22, Local 1
08850 Gava - Barcelona (Spain)
T +34 936.388.805
F +34 936.334.595
www.rta-iberica.es

R.T.A. INDIA Pvt
Teerth Business Center 3rd Floor, Unit No. 7,
Block EL-15, MIDC Bhosari Pimpri-Chinchwad,
Pune 411026 (India)
Tel. +91 9422507445
www.rta-india.in