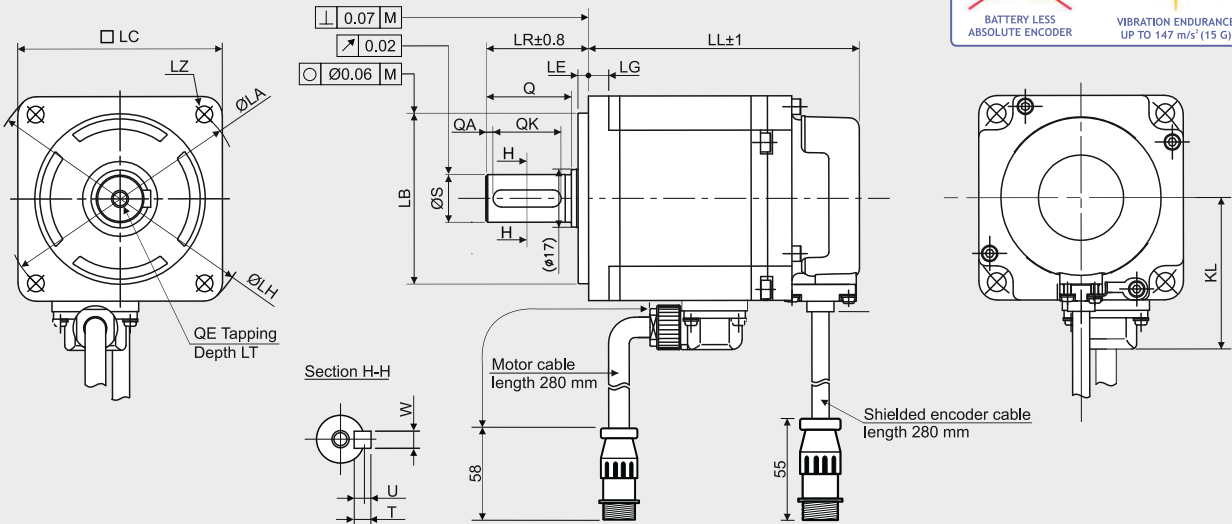


# R2AA06020FXR11M (R2AA06020FCR11M)

SANYO DENKI  
SANMOTION

## Dimensions (Unit:mm)

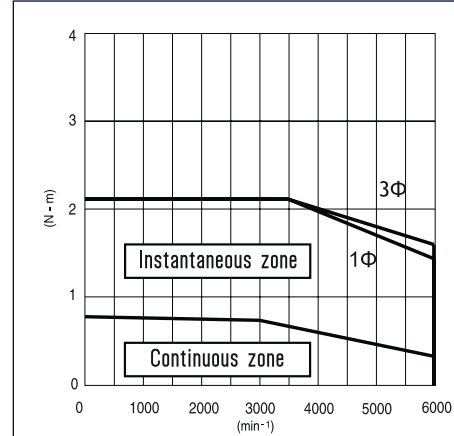


without brake LL	with brake LL	LG	KL	LA	LB	LE	LH	LC	LZ	LR	S	Q	QA	QK	W	T	U	QE	LT
79.5	107.5	6	44.4	70	50-0.025 <sup>0</sup>	3.0	82	60	4-Ø5.5	30	14-0.011 <sup>0</sup>	25	2	20	5	5	2	M5	12

## FEATURES

MODEL	R2AA06020FXR11M	
NOMINAL POWER	(W)	200
NOMINAL SPEED	(rpm)	3000
MAXIMUM SPEED	(rpm)	6000
NOMINAL TORQUE	(Nm)	0.637
STALL TORQUE	(Nm)	0.686
MAXIMUM TORQUE	(Nm)	2.20
INERTIA	(Kg*m <sup>2</sup> )	0.219×10 <sup>-4</sup>
BATTERY LESS ABSOLUTE ENCODER	SINGLE TURN: 131072 imp/rev (17 bit) MULTI TURN: 65536 turns	
PROTECTION DEGREE	IP67*	
WEIGHT	[version with brake] (Kg)	0.99 [1.4]

## TORQUE CURVE R2AA06020F [200W] + RS3A03



\* Protection degree IP67 (except for the shaft hole and the edge of the cable).



Indicated performances refer to motor controlled by related new RS3 standard and EtherCat amplifiers.

1Φ torque curve with single phase power supply  
3Φ = torque curve with three-phase power supply



## Suggested amplifiers: RS3A03A0AL0W00P, RS3A03A2HA4W00P, RS3A03A0AL2



R.T.A. s.r.l.  
Via E. Mattei - Fraz- Divisa  
27020 Marcignago (PV) (Italy)  
T +39.0382.929.855  
F +39.0382.929.150  
www.rta.it

R.T.A. Deutschland GmbH  
Bublitzter Strasse 34, 40599  
Duesseldorf (Germany)  
T +49.211.749.668.60  
F +49.211.749.668.66  
www.rta-deutschland.de

R.T.A. IBERICA  
C/Generalitat 22, Local 1  
08850 Gava - Barcelona (Spain)  
T +34 936.388.805  
F +34 936.334.595  
www.rta-iberica.es

R.T.A. INDIA Pvt  
Teerth Business Center 3<sup>rd</sup> Floor, Unit No. 7,  
Block EL-15, MIDC Bhosari Pimpri-Chinchwad,  
Pune 411026 (India)  
Tel. +91 9422507445  
www.rta-india.in