

# Block assembly kit, Series AS3-MBR-...-W05

- G 3/8 - G 1/2

- Die cast zinc



Ambient temperature min./max.

-10 ... 50 °C

Weight

0,825 kg

## Technical data

Part No.	Thread size
R412007366	G 3/8
R412007367	G 1/2

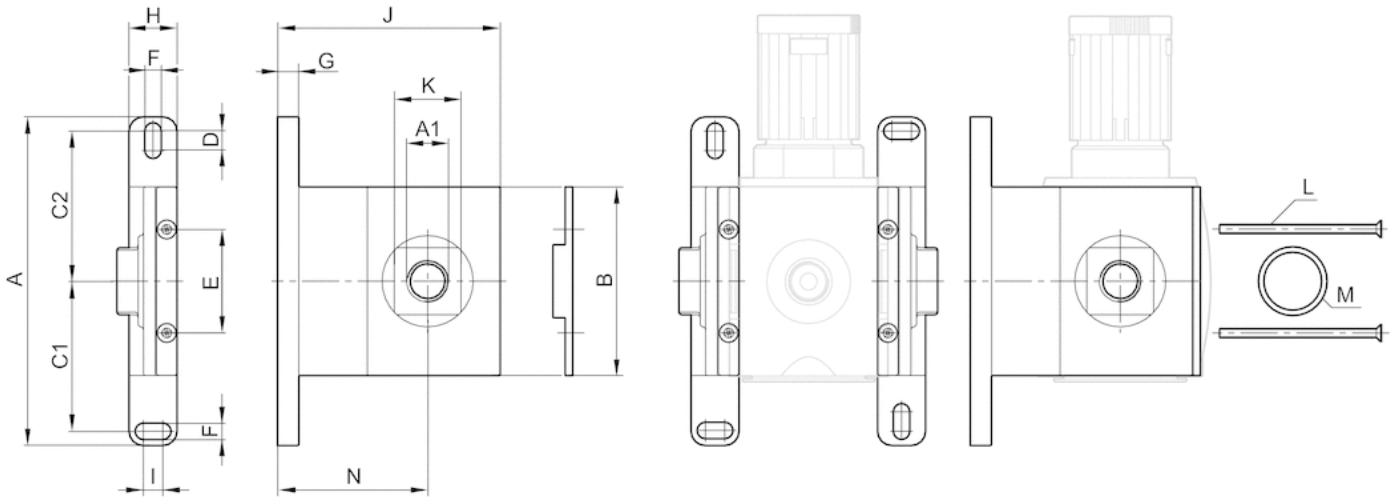
Scope of delivery incl. 4 mounting screws M5x68-4.8-A2R according to EN ISO 7046-1 (countersunk screw with type H X-slot), 2x O-ring

## Technical information

Material	
Housing	Die cast zinc, painted
Seal	Acrylonitrile butadiene rubber

## Dimensions

### Dimensions



## Dimensions

Part No.	A1	A	B	C1	C2	D	E	F	G	H	I	J	K	L	M	N
R412007366	G 3/8	120	75	54	54	8	42	6.4	7	20	8	102.5	30	M5x68	23x2	72
R412007367	G 1/2	120	75	54	54	8	42	6.4	7	20	8	102.5	30	M5x68	23x2	72

# Efficient pneumatic solutions, our program: cylinders and drives, valves and valve systems, air supply management



Visit us: [Emerson.com/Aventics](https://www.emerson.com/Aventics)

Your local contact: [Emerson.com/contactus](https://www.emerson.com/contactus)



[Emerson.com](https://www.emerson.com)



[Facebook.com/EmersonAutomationSolutions](https://www.facebook.com/EmersonAutomationSolutions)



[LinkedIn.com/company/Emerson-Automation-Solutions](https://www.linkedin.com/company/Emerson-Automation-Solutions)



[Twitter.com/EMR\\_Automation](https://twitter.com/EMR_Automation)

An example configuration is depicted on the title page. The delivered product may thus vary from that in the illustration. Subject to change. This Document, as well as the data, specifications and other information set forth in it, are the exclusive property of AVENTICS GmbH. It may not be reproduced or given to third parties without its consent. Only use the AVENTICS products shown in industrial applications. Read the product documentation completely and carefully before using the product. Observe the applicable regulations and laws of the respective country. When integrating the product into applications, note the system manufacturer's specifications for safe use of the product. The data specified only serve to describe the product. No statements concerning a certain condition or suitability for a certain application can be derived from our information. The information given does not release the user from the obligation of own judgement and verification. It must be remembered that the products are subject to a natural process of wear and aging.

The Emerson logo is a trademark and service mark of Emerson Electric Co. Brand logotype are registered trademarks of one of the Emerson family of companies. All other marks are the property of their respective owners. © 2020 Emerson Electric Co. All rights reserved.  
2020-12



## CONSIDER IT SOLVED™