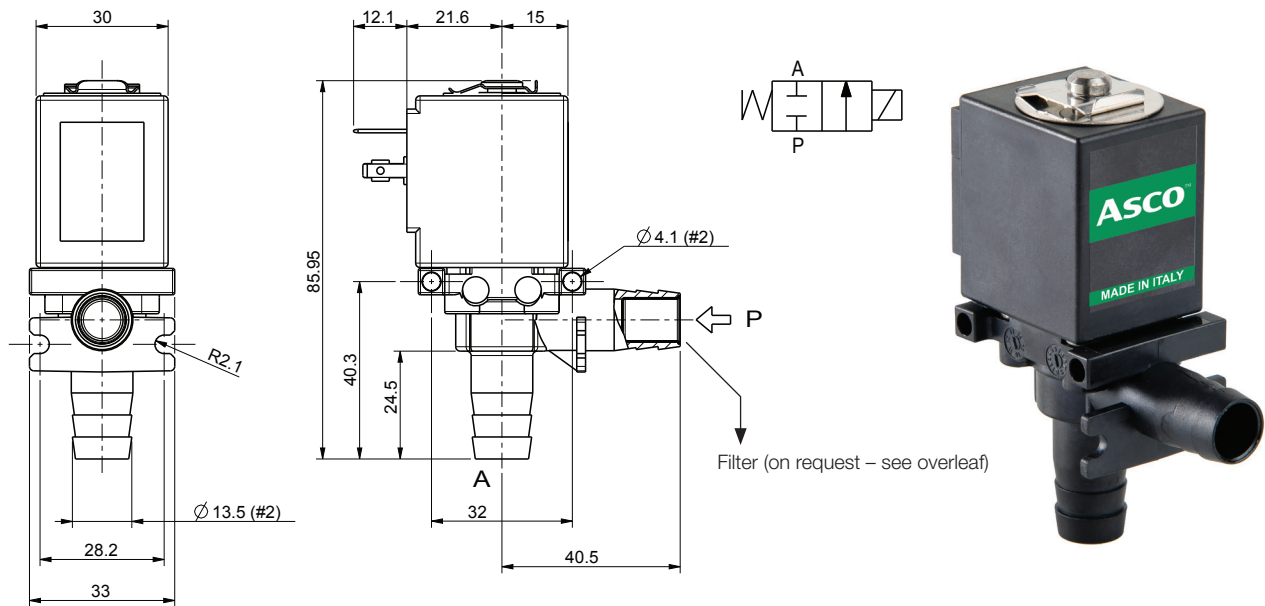


# ASCO™ SOLENOID VALVE - DRY

2/2 NORMALLY CLOSED - DIRECT ACTING - TOTAL ISOLATION - BARBED PORT

**SERIES**  
**D136**



## General Features

Direct acting, total isolation solenoid valve: the actuator is totally isolated from the fluid so that the wetted parts are just the body, the diaphragm and the filter fitted on the inlet port (P) – if any.

Possibility of disassembling for inspection.

Particularly suitable for tanks draining.

Suitable to shut off liquid fluids (verify the compatibility of fluid with materials in contact).

Technical Features	
Maximum allowable pressure (PS)	2 bar
Opening time	~ 40ms
Closing time	~ 40ms
Fluid temperature	0°C +100°C (FPM) - 30°C +100°C (EPDM)
Max viscosity	5°E (~37 cStokes or mm <sup>2</sup> /s)

Materials in Contact with Fluid	
Body	PPS (Polyphenylene-sulfide) reinforced
Sealing	FPM or EPDM
Filter (on request)	Stainless steel AISI 316

Coil		
Approval	UL (class F) – for UL cl.H: ZA34	
Continuous Duty	ED 100%	
Encapsulation material	PPS (Polyphenylsulfure) fiberglass reinforced	
Insulation class	F (155°C)	
Ambient temperature	-10°C +50°C	
Electric connections	DIN 46340 - 3 poles connector (EN 175301-803)	
Protection degree	IP 67 (EN 60529) with plug connector	
Voltages	DC	12-24V (+10% -5%)
	AC	24V/50Hz - 110V/50Hz (120V/60Hz) - 230V/50Hz (+10% -15%) (Other voltages and frequencies on request)

Port	Orifice size (mm)	Differential pressure (bar)				Kv (m <sup>3</sup> /h)	Series and type		Power absorption			Sealings	Notes	Weight (kg)
		Δp min	Δp max		Valve		Coil	AC (VA)		DC (W)				
			Gases	Liquids				Inrush	Holding					
Barbed port	9,5	0	-	-	0,5	-	D136D01	ZA10A	23	14	-	EPDM	-	0,190
					-	0,5		ZA10B	-	-	10			
					0,5	-	D136V01	ZA10A	23	14	-			
					-	0,5		ZA10B	-	-	10			

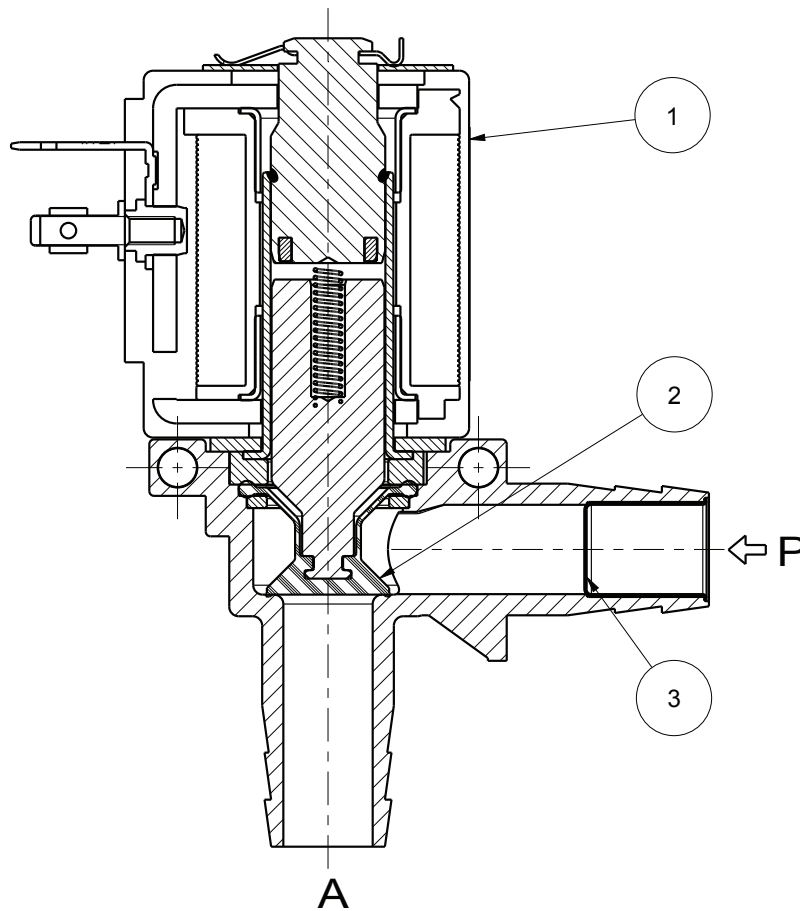
## Notes

- Sealings : FPM = Fluoro-carbon elastomer EPDM = Ethylene-propylene elastomer
- The use of filter 299554R (available on request) reduces the Kv value of 40%.
- IMQ CSV approval, see ZA10 datasheet for further details
- UL approved coil (E153691)

**SERIES**  
**D136**

**ASCO™ SOLENOID VALVE - DRY**  
2/2 NORMALLY CLOSED - DIRECT ACTING - TOTAL ISOLATION - BARBED PORT

Spare Parts



Kit description	Model	Kit P.N.	Consisting of:
Diaphragm kit	D136V01	G3142301	Diaphragm pos. 2
	D136D01	G3142302	
Filter (on request)		299554R	Strainer pos.3
Coil		ZA10A	Coil pos. 1
		ZA10B	

**Installation**

- Solenoid valve can be mounted in any position.
- In case of disassembling for usual maintenance, the fixing screws of the guide assembly have to be tightened with 0,6±0,7 Nm torque.

THE VALIDITY OF REPORTED DATA IS REFERRED TO THE DATE OF ISSUE. POSSIBLE UPDATES ARE AVAILABLE ON REQUEST