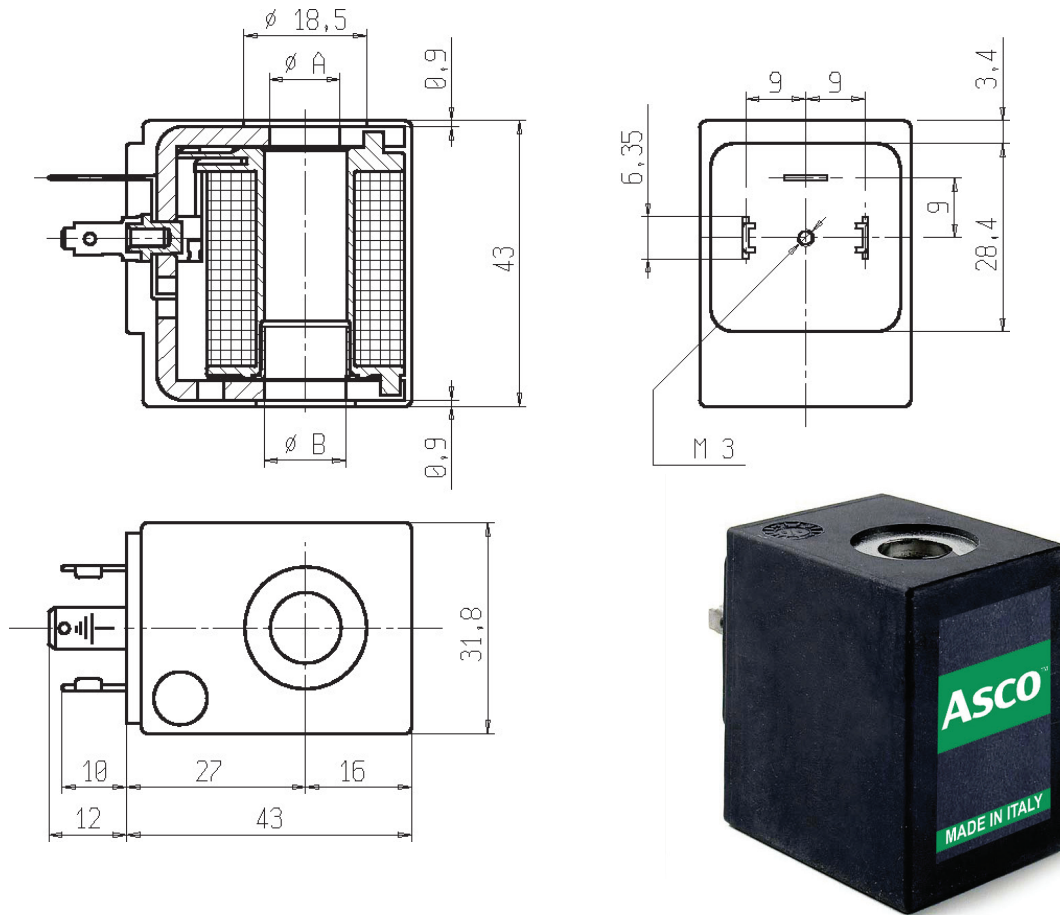


# ASCO™ COIL

SPADE TERMINALS (DIN 46340)

**SERIES**  
**Z5**



### General Features

Complying with 2014/35/EU (LVD) and 2014/30/EU (EMC) directives.

Product in accordance with the RoHS 2 directive.  
100% inspected.

### Electric Connections

Spade terminals 6,3 x 0,8 (DIN46340), 2 line + 1 earth terminals.  
3 poles plug connector (DIN 43650).

### Encapsulation Materials

PET (polyethylene terephthalate) fiberglass reinforced; black colour.

### Technical Features

Continuous Duty	ED 100%	
Insulation class	<b>Z530A</b> : F (140°C) <b>Z534A</b> : H (165°C)	
Ambient temperature	<b>Z530A</b> : -10°C +60°C <b>Z534A</b> : -10°C +80°C.	
Protection degree	IP 65 (EN 60529) with plug connector	
Voltages	DC	12-24V (+10% -5%)
	AC	24V/50Hz – 110V/50Hz (120V/60Hz) 230V/50Hz (+10% -15%) (Other voltages and frequencies on request)

Type	Power absorption			Holes		Notes	Weight (kg)
	AC (VA)		DC (W)	Ø A	Ø B		
	Inrush	Holding					
<b>Z530A</b>	23	14	9	10,7	12,35	-	0,200
<b>Z534A</b>						1	

### Notes

1 - UL APPROVAL (E153691).

THE VALIDITY OF REPORTED DATA IS REFERRED TO THE DATE OF ISSUE. POSSIBLE UPDATES ARE AVAILABLE ON REQUEST

0909/1606