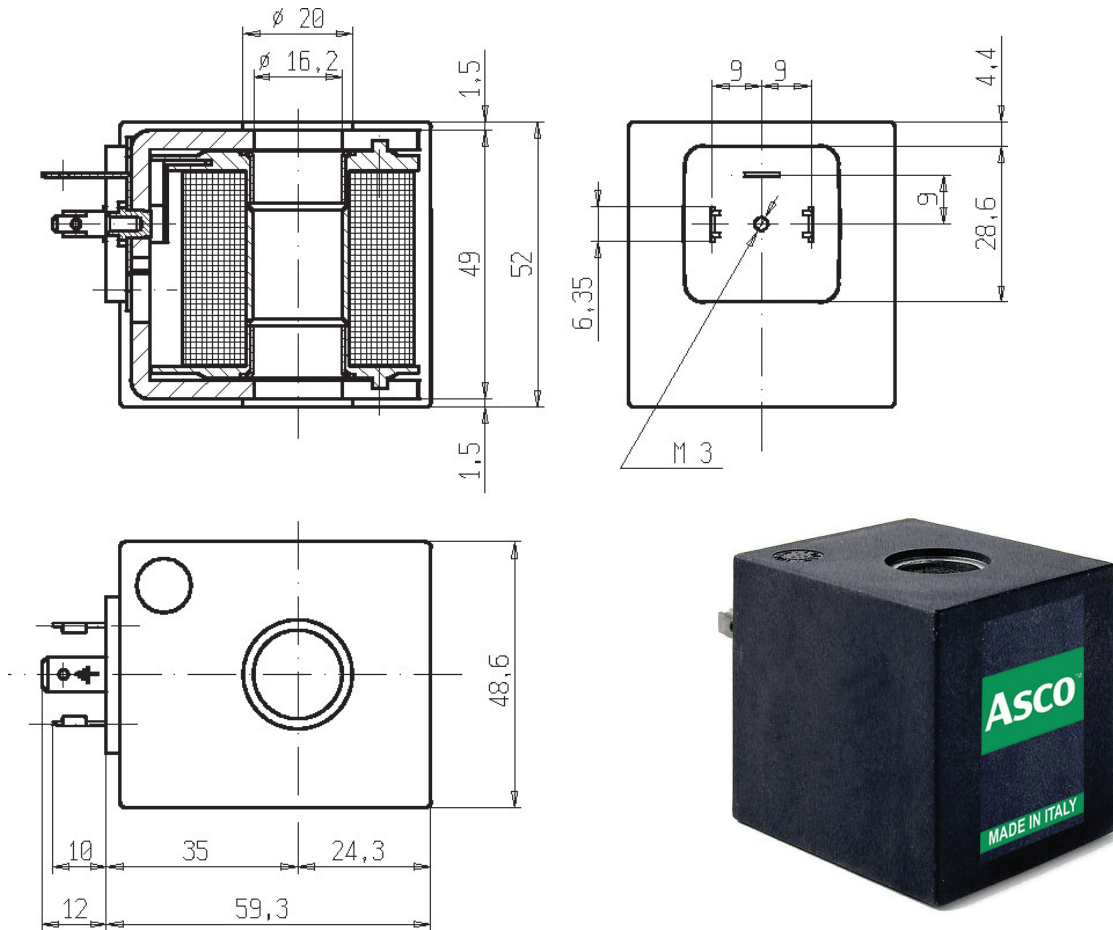


ASCO™ COIL

SPADE TERMINALS (DIN46340)

SERIES
Z923



General Features

Complying with 2014/35/EC directive.
Product in accordance with the RoHS 2 directive.
100% inspected.

Electric Connections

Spade terminals 6,3 x 0,8 (DIN46340), 2 line + 1 earth terminals.
3 poles plug connector (EN175301-803)

Encapsulation Materials

PPS (Polyphenilsulfure) fiberglass reinforced

Technical Features

Continuous Duty	Z923A - Z923E : ED 100% Z923G : ED 60%
Insulation class	H (165°C)
Ambient temperature	-10°C +80°C
Protection degree	IP 65 (EN 60529) with plug connector
Voltages	DC 12-24V (+10% -5%)
	AC 24V/50Hz - 110V/50Hz (120V/60Hz) - 230V/50Hz (+10% -15%) (Other voltages and frequencies on request).

Type	Power absorption		DC (W)	Notes	Weight (kg)
	AC (VA)				
	Inrush	Holding			
Z923A	50	27	17	-	0,520
Z923E	65	33	21	-	
Z923G	150	46	-	1	

Notes

1 - Discontinuous duty ED 60%.