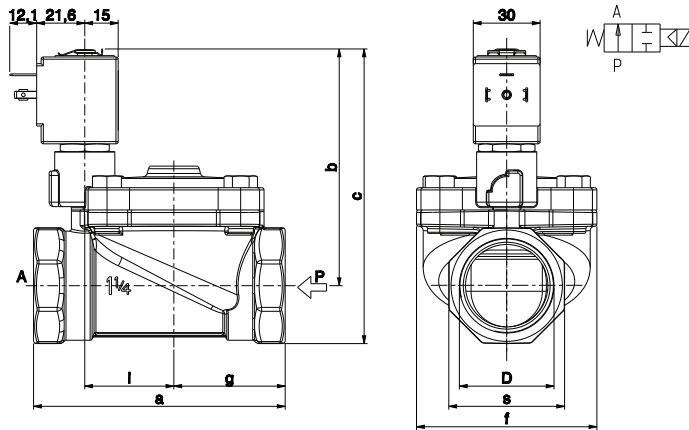


ASCO™ SOLENOID VALVE

2/2 NORMALLY OPEN – PILOT OPERATED - G1 ¼ ÷ 2

SERIES
L282-BIG



D	a	b	c	f	g	l	s
G 1 ¼	113	106	132	81	50	40	52
G 1 ½	140	110	140	110	64	53	60
G 2	157	114	150	110	72	53	72

General Features

Diaphragm valve, pilot operated, having full orifice.
 Suitable to shut off liquid and gaseous fluids (verify the compatibility of fluid with materials in contact).
 Not suitable for use with dangerous fluids listed in Group 1, therefore they are free from CE marking in conformity with article 3 § 3 of the European Directive 97/23/EC (Pressure Equipment Directive).

Technical Features	
Maximum allowable pressure (PS)	15 bar
Opening time	from ~300ms to ~1500ms
Closing time	from ~1000ms to ~2000ms
Fluid temperature	-10°C +90°C (NBR) 0°C +130°C (FPM)
Max viscosity	5°E (~37 cStokes or mm ² /s)

Materials in Contact with Fluid	
Body	Brass
Sealing	NBR or FPM
Internal components	Brass and stainless steel
Seat	Brass
Guide assembly	Stainless steel
Shading ring	Copper

Coil		
Approval	UL (class F) – for UL cl.H: ZA34 (E153691)	
Continuous duty	ED 100%	
Encapsulation material	PPS (Polyphenilsulfure) fiberglass reinforced	
Insulation class	F (155°C) on request class H (180°C)	
Ambient temperature	-10°C +50°C	
Electric connections	DIN 46340 - 3 poles connector (EN175301-803)	
Protection degree	IP 67 (EN 60529) with plug connector	
Voltages	DC	ZA10A: 12-24V (+10% -5%)
	AC	ZA10YE: 24V/50Hz - 110V/50Hz (120V/60Hz) - 230V/50Hz (+10% -15%) (Other voltages and frequencies on request)

Port size ISO 228	Orifice size (mm)	Dp min	Differential pressure (bar)				Kv (m ³ /h)	Series and type		Power absorption			Sealings	Notes	Weight (kg)
			Dp max					Valve	Coil	AC (VA)		DC (W)			
			Gases		Liquids					Inrush	Holding				
G 1 ¼	30	0,50	10	-	10	-	L282B48	ZA10Y	28	20	-	NBR (diaphragm) FPM (actuator)	-	1,590	
G 1 ½	45		9	-	9	-								2,510	
G 2	45		9	-	9	-								2,990	
G 1 ¼	30		10	-	10	-								1,590	
G 1 ½	45		9	-	9	-	L282V48	ZA10A	-	-	9	NBR (diaphragm) FPM (actuator)	-	2,510	
G 2	45		9	-	9	-	2,990								
G 1 ¼	30		-	10	-	10	1,590								
G 1 ½	45		-	9	-	9	2,510								
G 2	45		-	10	-	10	34	L282B48	ZA10A	-	-	9	FPM	-	2,990
G 1 ¼	30		-	10	-	10	1,590								
G 1 ½	45		-	9	-	9	2,510								
G 2	45		-	9	-	9	2,990								

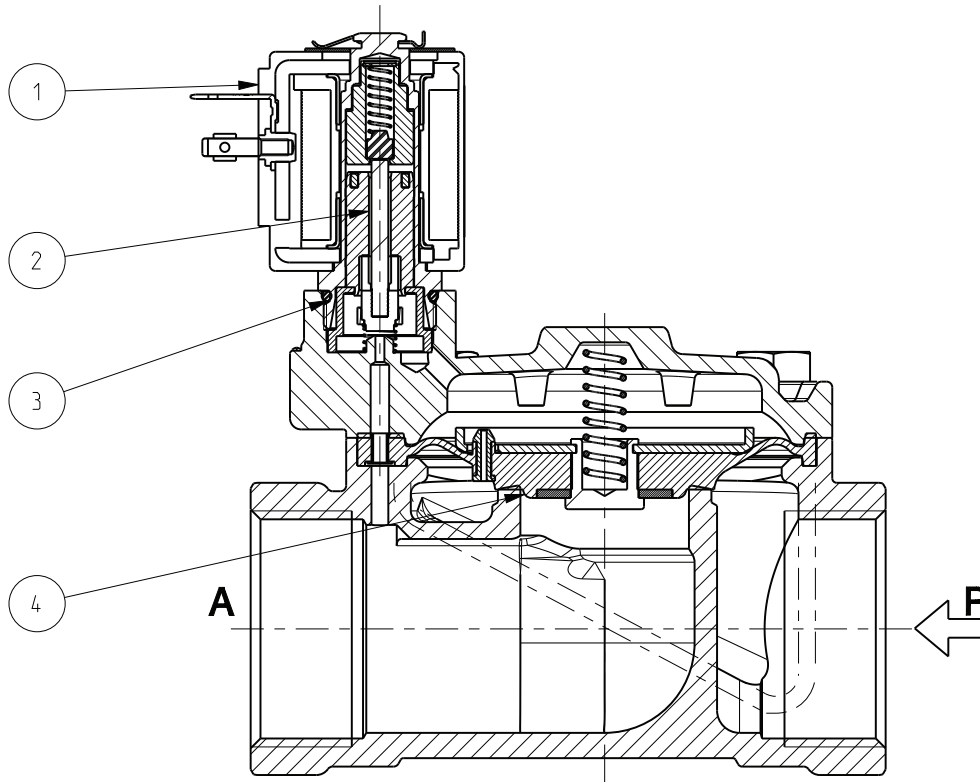
Notes

- Sealings : NBR = Nitrile-butylene elastomer FPM = Fluoro-carbon elastomer
- Operation with gaseous fluids at high pressure without any outlet restriction can reduce the diaphragm life.
- IMQ CSV approval, see ZA10 datasheet for further details

SERIES
L282-BIG

ASCO™ SOLENOID VALVE
2/2 NORMALLY OPEN – PILOT OPERATED - G1 ¼ ÷ 2

Spare Parts



Kit description	Model	Port Size	Kit P.N.	Consisting of:
Actuator kit			438589-002R	Actuator kit pos. 2 O-Ring guide assembly pos. 3
Diaphragm assembly	L282B48	G 1 ¼	2400801R	Diaphragm assembly pos. 4
		G1 ½ - 2	2401301R	
	L282V48	G 1 ¼	2400802R	
		G1 ½ - 2	2401302R	
Coil			ZA10A ZA10Y	Coil pos.1

Installation

- Solenoid valve can be mounted in any position; vertical with coil upwards preferred.

THE VALIDITY OF REPORTED DATA IS REFERRED TO THE DATE OF ISSUE. POSSIBLE UPDATES ARE AVAILABLE ON REQUEST