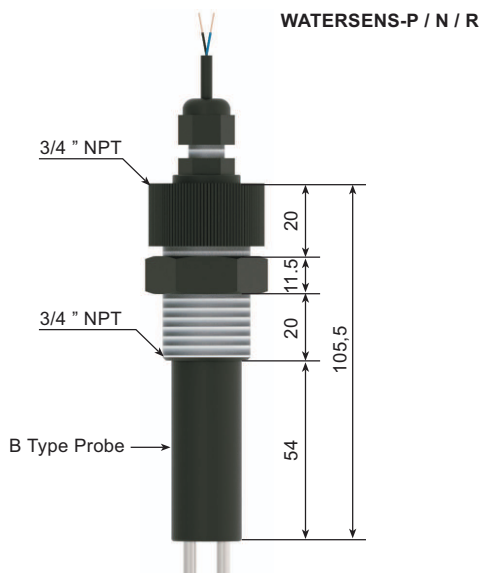


WATERSENS P / N / R is used in order to determine the water level and to take precaution in the facilities. It ensures the people in the ambient to take precaution by attracting their attention through siren in order to determine high water or low water level.

Its electronic card is in the upper box and it is insulated with resin. It is not affected by water. Electrode material has been selected as stainless steel and its electronic design has been performed specially in order that there is no electrolysis in the lead terminals. It is appropriate to submerge a weight onto the tooth on the submersion probe.



Technical Specifications

Supply	18 - 29 VDC
Cable	3 x 0.22 mm ² or 5 x 0.22 mm ² , 2 m. Std.
Output	PNP-NO or NC Max. 100 mA NPN-NO or NC Max. 100 mA RELAY-NO / NC Max. 300 mA In order to be indicated.
Connection	3/4 " NPT Double Sided
Body Material	Polypropylene Opt. Stainless Steel
Working Temperature	Max. 85 °C
Working Pressure	Max. 20 bar
Mounting	Connected Vertically or Horizontally
Protection Class	IP 67
Min. Conductivity	100 microSiemens / cm

WATERSENS-Po / Pc

Brown: 18-29 VDC
Black: NPN NO or NC, Max. 100 mA
Blue: GND

WATERSENS-No / Nc

Brown: 18-29 VDC
Black: NPN NO or NC, Max. 100 mA
Blue: GND

WATERSENS-R
Std. Product

Brown: 18-29 VDC
Green: Relay NO, Max. 300 mA
White: Relay NC, Max. 300 mA
Yellow: Relay Common Pole
Blue: GND

Order Form: Please consider sample models when coding!..

1 MODEL

.....WATERSENSWATERSENS-P
.....WATERSENS-KWATERSENS-N
.....WATERSENS-R

2 CERTIFICATE

None.....0 (EN10204-3-1)Material Certification.....1

3 HOUSING

ABS , Gray , B026p.....304 ABS , Black, B025p.....303
Specialx

4 ELECTRICAL CONNECTION

Terminal (For Housing Models)00 Silicon Cable82
PVC Cable (max. 60 ° C) 80 Probe.....xp
PVC Cable (Max.105 ° C) 81 Specialx

5 CONTACT STRUCTURE

NPN - NO.....00 PNP - NO.....03
NPN - NC.....01 PNP - NC.....04
Relay NO / NC.....10
Specialx

6 PROBE TYPE

Without Probe.....0 With Supply B Type Probe.....3
Cable Probe.....1 Without Supply K Type Probe.....4
Without Supply P Type Probe.....5
Specialx

7 CABLE LENGTH (m) L

.....m

8 OPTIONAL

None...../ 0 Specialx

EXAMPLE

WATERSENS -0-304-00-10-0-00-3/0
WATERSENS , Relay NO / NC , Grey Boxed