

## Rod clevises



AVENTICS™ Rod clevises



# Rod clevis AP2, Series CM2

- with circlip, to mount on cylinder CCL-IS/IC, CCI, SSI, CSL-RD, ICM, ICS-D2, 167



Weight

See table below

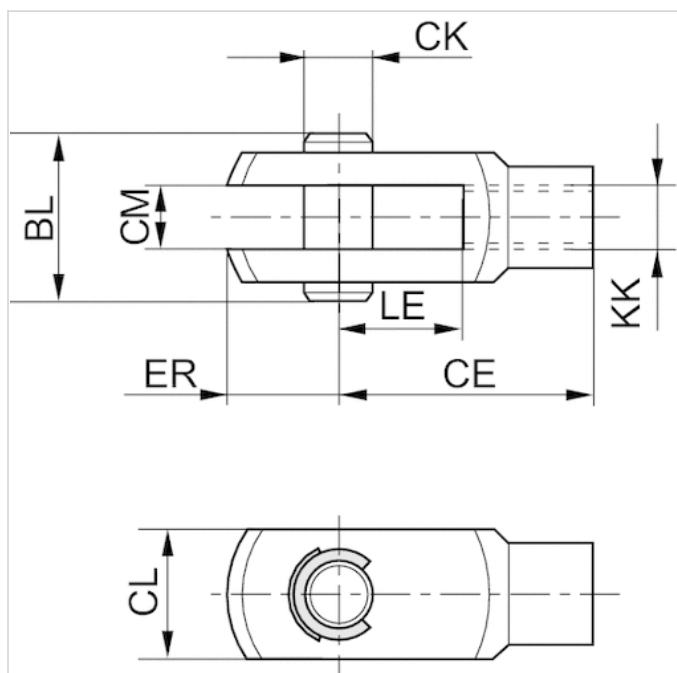
## Technical data

| Part No.   | Suitable piston rod thread | for   | Weight  |
|------------|----------------------------|---|---------|
| 3330510000 | M4                         | SSI ICM                                     | 0.01 kg |
| 3330516000 | M6                         | CSL-RD SSI ICM                              | 0.02 kg |
| 3330520000 | M8                         | CCL-IC CSL-RD CCI ICM                       | 0.05 kg |
| 3590502000 | M10x1,25                   | CCL-IS CCL-IC CCI CSL-RD SSI ICM ICS-D2 167 | 0.1 kg  |
| 3590504000 | M12x1,25                   | CCL-IS CCL-IC CCI SSI 167 ICS-D2            | 0.16 kg |
| 3590505000 | M16x1,5                    | CCL-IS ICS-D2 167                           | 0.4 kg  |
| 3590508000 | M20x1,5                    | CCL-IS ICS-D2 167                           | 0.7 kg  |

## Technical information

| Material        |
|-----------------|
| Stainless steel |

## Dimensions



## Dimensions

| Part No.   | KK       | CE | CK e8 | CL | CM B12 | ER | BL | LE |
|------------|----------|----|-------|----|--------|----|----|----|
| 3330510000 | M4       | 16 | 4     | 10 | 5      | 6  | 15 | 8  |
| 3330516000 | M6       | 24 | 6     | 12 | 6      | 7  | 17 | 12 |
| 3330520000 | M8       | 32 | 8     | 16 | 8      | 10 | 22 | 16 |
| 3590502000 | M10x1,25 | 40 | 10    | 20 | 10     | 12 | 26 | 20 |
| 3590504000 | M12x1,25 | 48 | 12    | 24 | 12     | 14 | 31 | 24 |
| 3590505000 | M16x1,5  | 64 | 16    | 32 | 16     | 19 | 39 | 32 |
| 3590508000 | M20x1,5  | 80 | 20    | 40 | 20     | 20 | 49 | 40 |

# Rod clevis AP2, Series CM2

- with split pin, to mount on cylinder SSI, ICS-D2



Weight

See table below

## Technical data

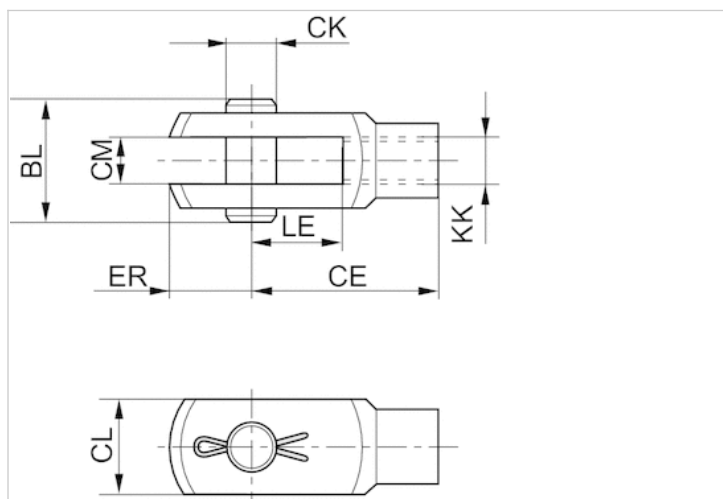
| Part No.   | Suitable piston rod thread | for        | Weight  |
|------------|----------------------------|------------|---------|
| 2990600503 | M10x1,25                   | SSI ICS-D2 | 0.11 kg |
| 2990600504 | M12x1,25                   | ICS-D2     | 0.19 kg |
| 2990600505 | M16x1,5                    | SSI ICS-D2 | 0.41 kg |
| 2990600508 | M20x1,5                    | SSI ICS-D2 | 1.16 kg |

## Technical information

Material

Stainless steel, acid-proof

## Dimensions



## Dimensions

| Part No.   | KK       | CE | CK e8 | CL | CM B12 | ER | BL | LE |
|------------|----------|----|-------|----|--------|----|----|----|
| 2990600503 | M10x1,25 | 40 | 10    | 20 | 10     | 12 | 26 | 20 |
| 2990600504 | M12x1,25 | 48 | 12    | 24 | 12     | 14 | 31 | 24 |
| 2990600505 | M16x1,5  | 64 | 16    | 32 | 16     | 19 | 39 | 32 |
| 2990600508 | M20x1,5  | 80 | 20    | 40 | 20     | 20 | 49 | 40 |

# Rod clevis AP2, Series CM2

- to mount on cylinder PRA, TRB, CCI, MNI, ICM, KPZ, KHZ, 167, CVI, RPC, RDC, ITS



Weight

See table below

## Technical data

| Part No.   | Suitable piston rod thread | for                                     | Weight  |
|------------|----------------------------|---|---------|
| 1822122028 | M4                         | MNI ICM                                 | 0.01 kg |
| 1822122008 | M5                         | KHZ                                     | 0.01 kg |
| 1822122009 | M6                         | CCI MNI ICM KHZ                         | 0.02 kg |
| 1822122010 | M8                         | CCI MNI ICM KHZ                         | 0.05 kg |
| 8958000122 | M10                        | RPC KHZ                                 | 0.1 kg  |
| 8958000132 | M12                        | RPC 102                                 | 0.16 kg |
| 1822122024 | M10x1,25                   | PRA TRB CCI MNI ICM KPZ 167 CVI RPC RDC | 0.1 kg  |
| 1822122025 | M12x1,25                   | PRA TRB CCI KPZ 167 CVI RPC 102         | 0.16 kg |
| 1822122005 | M16x1,5                    | PRA TRB CCI KPZ 167 CVI RPC RDC 102     | 0.4 kg  |
| 1822122004 | M20x1,5                    | PRA TRB KPZ 167 CVI 102                 | 0.7 kg  |
| 1827001493 | M27x2                      | PRA TRB CCL-IS 167 CVI                  | 2 kg    |
| 1827001471 | M36x2                      | ITS                                     | 3.5 kg  |
| 1827001472 | M42x2                      | ITS                                     | 6.6 kg  |
| 8958019332 | M48x2                      | ITS                                     | 9.7 kg  |

| Part No.   | Fig.   |
|------------|--------|
| 1822122028 | Fig. 1 |
| 1822122008 | Fig. 1 |
| 1822122009 | Fig. 1 |
| 1822122010 | Fig. 1 |
| 8958000122 | Fig. 1 |
| 8958000132 | Fig. 1 |
| 1822122024 | Fig. 1 |
| 1822122025 | Fig. 1 |
| 1822122005 | Fig. 1 |
| 1822122004 | Fig. 1 |
| 1827001493 | Fig. 2 |
| 1827001471 | Fig. 2 |
| 1827001472 | Fig. 2 |

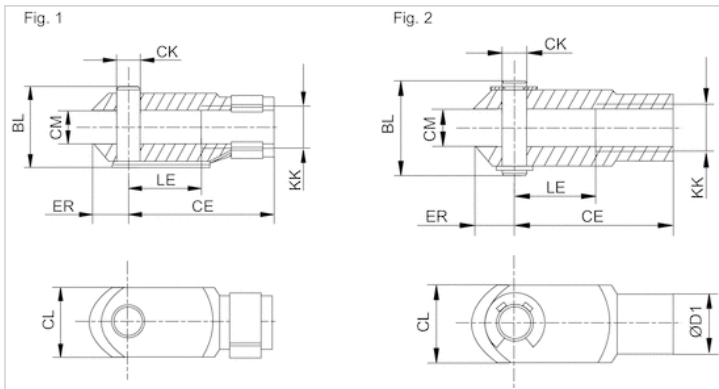
| Part No.   | Fig.   |
|------------|--------|
| 8958019332 | Fig. 1 |

## Technical information

### Material

Steel  
galvanized

## Dimensions



## Dimensions

| Part No.   | KK       | BL   | CE  | ØCK e11 | CL | CM | ØD1 | ER | LE | Fig.   |
|------------|----------|------|-----|---------|----|----|-----|----|----|--------|
| 1822122028 | M4       | 11   | 16  | 4       | 8  | 4  | 8   | 5  | 8  | Fig. 1 |
| 1822122008 | M5       | 13.5 | 20  | 5       | 10 | 5  | 9   | 6  | 10 | Fig. 1 |
| 1822122009 | M6       | 16   | 24  | 6       | 12 | 6  | 10  | 7  | 12 | Fig. 1 |
| 1822122010 | M8       | 21,5 | 32  | 8       | 16 | 8  | 14  | 10 | 16 | Fig. 1 |
| 8958000122 | M10      | 26   | 40  | 10      | 20 | 10 | 18  | 12 | 20 | Fig. 1 |
| 8958000132 | M12      | 31   | 48  | 12      | 24 | 12 | 20  | 14 | 24 | Fig. 1 |
| 1822122024 | M10x1,25 | 26   | 40  | 10      | 20 | 10 | 18  | 12 | 20 | Fig. 1 |
| 1822122025 | M12x1,25 | 31   | 48  | 12      | 24 | 12 | 20  | 14 | 24 | Fig. 1 |
| 1822122005 | M16x1,5  | 39   | 64  | 16      | 32 | 16 | 26  | 19 | 32 | Fig. 1 |
| 1822122004 | M20x1,5  | 50   | 80  | 20      | 40 | 20 | 34  | 20 | 40 | Fig. 1 |
| 1827001493 | M27x2    | 68   | 110 | 30      | 55 | 30 | 48  | 38 | 54 | Fig. 2 |
| 1827001471 | M36x2    | 80   | 144 | 35      | 70 | 35 | 60  | 57 | 72 | Fig. 2 |
| 1827001472 | M42x2    | 98   | 168 | 40      | 85 | 40 | 70  | 64 | 84 | Fig. 2 |
| 8958019332 | M48x2    | 122  | 192 | 50      | 96 | 50 | 82  | 73 | 96 | Fig. 1 |

# Rod clevis PM6, Series CM2

- for ball eye rod end AP6



## Technical data

| Part No.   | for | Swivel bearing Ø |
|------------|-----|------------------|
| 1822122032 | AP6 | 14 mm            |
| 1822122033 | AP6 | 16 mm            |
| 1822122034 | AP6 | 21 mm            |
| 1822122035 | AP6 | 25 mm            |
| 1822122036 | AP6 | 30 mm            |

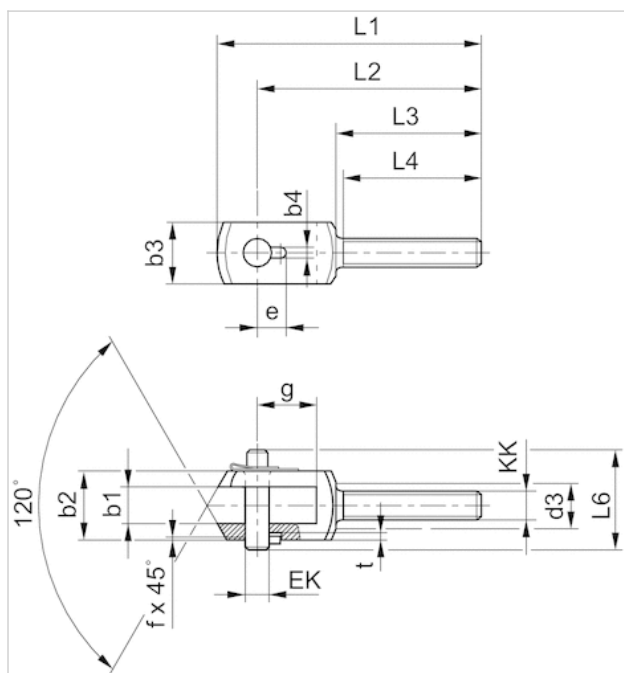
Scope of delivery incl. bolt

## Technical information

| Material |            |
|----------|------------|
|          | Steel      |
|          | galvanized |



## Dimensions



## Dimensions

| Part No.   | b1 B12 | b2 d12 | b3 | b4 +0,2 | d3 | e +0,3 | EK | f   | g  | L1  | L2  | L3 | L4 +1 | L6 | t +0,2 |
|------------|--------|--------|----|---------|----|--------|----|-----|----|-----|-----|----|-------|----|--------|
| 1822122032 | 14     | 28     | 20 | 3.3     | 17 | 11.5   | 10 | 0.7 | 20 | 90  | 78  | 53 | 50    | 35 | 3      |
| 1822122033 | 16     | 30     | 25 | 4.3     | 19 | 12     | 12 | 1   | 26 | 108 | 92  | 58 | 55    | 39 | 3      |
| 1822122034 | 21     | 40     | 35 | 4.3     | 24 | 14     | 16 | 1   | 31 | 129 | 108 | 65 | 62    | 50 | 3      |
| 1822122035 | 25     | 50     | 40 | 4.3     | 30 | 16     | 20 | 1   | 43 | 156 | 131 | 73 | 69    | 60 | 3      |
| 1822122036 | 37     | 67     | 60 | 6.3     | 38 | 24     | 30 | 1.5 | 54 | 200 | 168 | 98 | 92    | 77 | 5      |

# Efficient pneumatic solutions, our program: cylinders and drives, valves and valve systems, air supply management



Visit us: [Emerson.com/Aventics](https://www.emerson.com/Aventics)

Your local contact: [Emerson.com/contactus](https://www.emerson.com/contactus)



[Emerson.com](https://www.emerson.com)



[Facebook.com/EmersonAutomationSolutions](https://www.facebook.com/EmersonAutomationSolutions)



[LinkedIn.com/company/Emerson-Automation-Solutions](https://www.linkedin.com/company/Emerson-Automation-Solutions)



[Twitter.com/EMR\\_Automation](https://twitter.com/EMR_Automation)

An example configuration is depicted on the title page. The delivered product may thus vary from that in the illustration. Subject to change. This Document, as well as the data, specifications and other information set forth in it, are the exclusive property of AVENTICS GmbH. It may not be reproduced or given to third parties without its consent. Only use the AVENTICS products shown in industrial applications. Read the product documentation completely and carefully before using the product. Observe the applicable regulations and laws of the respective country. When integrating the product into applications, note the system manufacturer's specifications for safe use of the product. The data specified only serve to describe the product. No statements concerning a certain condition or suitability for a certain application can be derived from our information. The information given does not release the user from the obligation of own judgment and verification. It must be remembered that the products are subject to a natural process of wear and aging.

The Emerson logo is a trademark and service mark of Emerson Electric Co. Brand logotype are registered trademarks of one of the Emerson family of companies. All other marks are the property of their respective owners. © 2017 Emerson Electric Co. All rights reserved.  
2019-03



**CONSIDER IT SOLVED™**