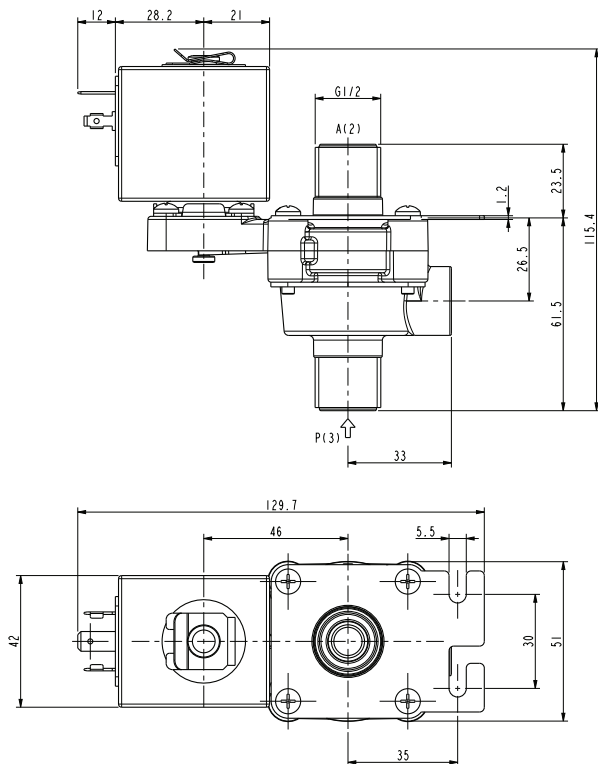


ASCO™ SOLENOID VALVE - DRY

2/2 NORMALLY CLOSED - DIRECT ACTING - TOTAL ISOLATION - G 1/2

SERIES
D132-D25



General Features

Direct acting, total isolation solenoid valve: the actuator is totally isolated from the medium so that the wetted parts are just the body and the diaphragm.

Possibility of disassembling for inspection.

Core duly coated by PTFE (polytetrafluoroethylene) based self lubricating material.

Suitable to shut off liquid and gaseous fluids (verify the compatibility of fluid with materials in contact).

Technical Features

Maximum allowable pressure (PS)	2 bar
Opening time	~ 30ms
Closing time	~ 30ms
Fluid temperature	-10°C +100°C
Max viscosity	5°E (~37 cStokes or mm ² /s)

Materials in Contact with Fluid

Body	PPS (see notes)
Sealing	EPDM

Coil

Continuous Duty	ED 100%	
Encapsulation material	PET (polyethylene terephthalate) fiberglass reinforced	
Insulation class	F (140°C)	
Ambient temperature	-10°C +60°C	
Electric connections	DIN 46340 - 3 poles connector (EN175301-803)	
Protection degree	IP 65 (EN 60529) with plug connector	
Voltages	DC	12-24V (+10% -5%)
	AC	24V/50Hz - 110V/50Hz (120V/60Hz) - 230V/50Hz (+10% -15%) (Other voltages and frequencies on request)

Port size ISO 228	Orifice size (mm)	Δp min	Differential pressure (bar)				Kv (m ³ /h)	Series and type		Power absorption			Sealings	Notes	Weight (kg)
			Δp max					Valve	Coil	AC (VA)		DC (W)			
			Gases		Liquids					Inrush	Holding				
G 1/2	9	0	AC	DC	AC	DC	1,6	D132D25	Z130A	44	24	13	EPDM	-t	0,520

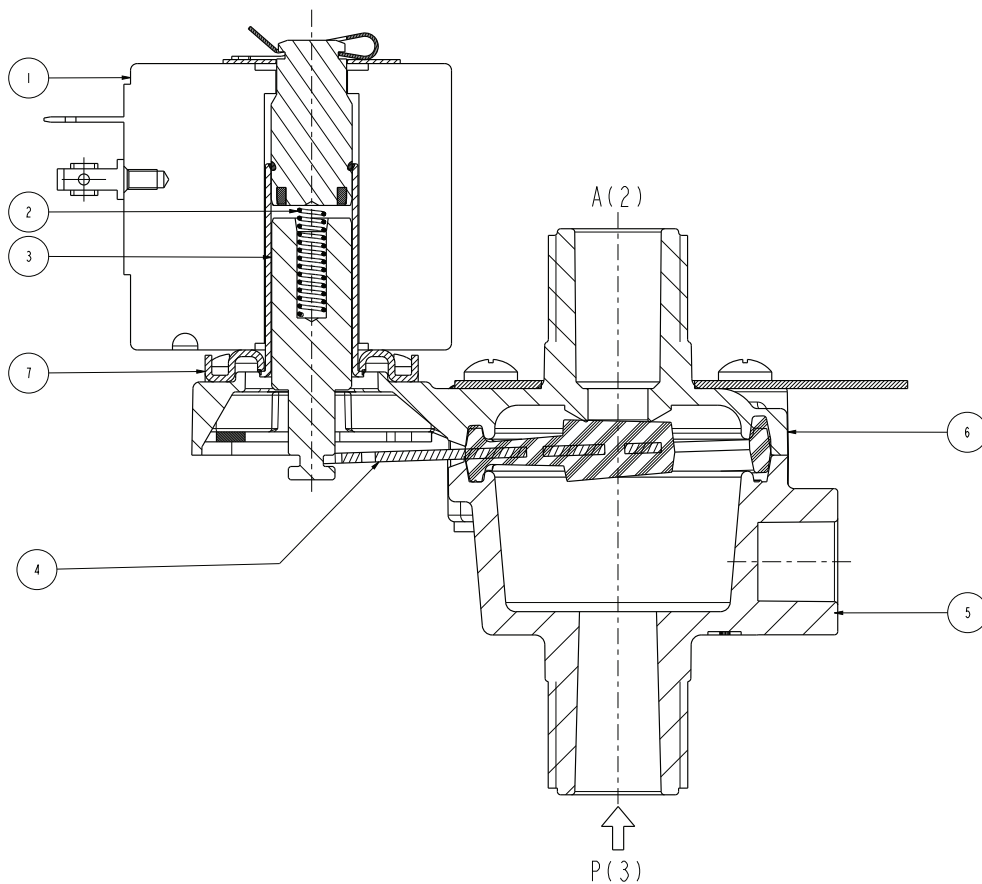
Notes

- Sealings : EPDM = Ethylene-propylene elastomer
- Body: PPS (Polyphenylene-sulfide) fiberglass reinforced, WRAS/KTW and NSF approval

SERIES
D132-D25

ASCO™ SOLENOID VALVE - DRY
2/2 NORMALLY CLOSED - DIRECT ACTING - TOTAL ISOLATION - G 1/2

Spare Parts



Kit description	Kit P.N.	Consisting of:
Body kit	G2986604	Upper body pos.6 Lower body pos.5
Core kit	G2992801	Core return spring pos.2 Core pos.3
Lever seal	3037305R	Lever seal pos.4
Kit guide assembly	G31523	Guide assembly pos.7 Coil clip
Coil	Z130A	Coil pos. 1

Installation

- Solenoid valve can be mounted in any position; vertical with coil upwards preferred.
- In case of disassembling for usual maintenance, the fixing screws have to be tightened at 1,5 Nm max torque.
- Maximum driving torque of the pipe fittings for thread connections = 15Nm.

THE VALIDITY OF REPORTED DATA IS REFERRED TO THE DATE OF ISSUE. POSSIBLE UPDATES ARE AVAILABLE ON REQUEST