

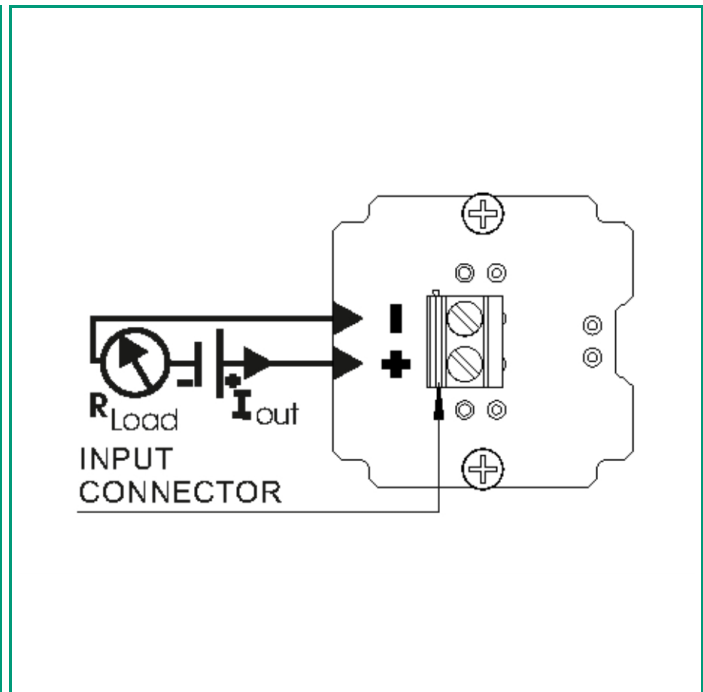
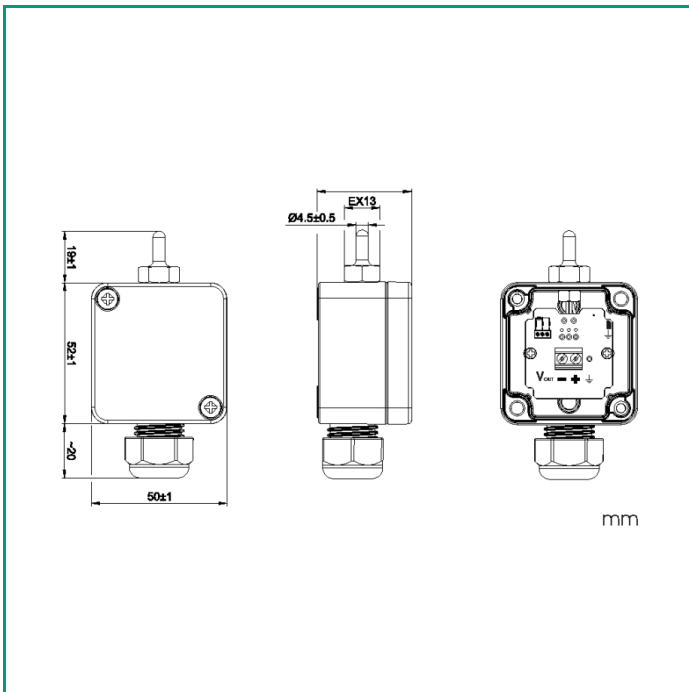
SCATATT

Rev. 2 - 20/10/2022

OUTSIDE PROBE

Temperature probe with plastic junction box, 4 ÷ 20 mA output and sensor with stainless steel protection

Ideal model for measuring the temperature in harsh environments; the thermowell is made of stainless steel, in order to protect the sensitive element and at the same time resist particularly aggressive environments.



TECHNICAL SPECIFICATION

Power supply	10 ÷28 Vcc (polarity protected)
Accuracy (*) (*) @25°C	≤ ±0.3°C
Response time of electronics section	<50 ms
Temperature influence (*) (*) deviation from 20°C	Maximum value between ±0,3°C/25°C and ±0,3% of span/25°C
Permitted load	636 Ω @ 24 Vdc [RLΩ= (Vsupply - 10) / 0,022]
Sensor failure signalling	upper scale (> 21.0 mA) downscale (< 3.6 mA)
Sensor short circuit signalling	Fixed at lower limit of range (< 3.6 mA)
Effect of power supply	Negligible
Electronic board operating temperature	-40 ÷80°C
EMC	In accordance to EN 61326-1:2013 (CE) In accordance to BS EN 61326-1:2013 (UKCA)
International protection marking (*) (*) According to IEC 60529	IP65/67
Connection head / junction box material	PLASTIC
Cable gland dimension	Ø 5 ÷10 mm
Sensing element	Pt1000 Ω @ 0°C
Pt1000 sensor accuracy	Class A up to 300°C according to IEC751
Box probe version	with metallic external sensor Ø 4.5 x 13 mm
Fixing accessories	wall mounting screws (self-tapping 3.5 for expansion plugs Ø6 mm) NOT SUPPLIED
Factory default	Range (-40÷80)°C Other configurations on request

ORDER CODES

SCAT#	AP3AMX
-------	--------