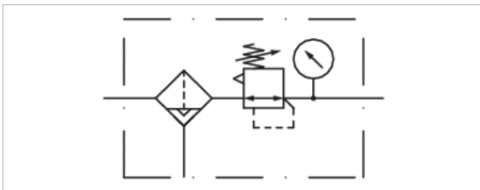


Filter pressure regulator, Series AS3-FRE

- G 3/8 G 1/2
- filter porosity 5 µm
- lockable
- for padlocks
- with pressure gauge
- suitable for ATEX



Type	1-part, Can be assembled into blocks
Parts	Filter pressure regulator
Mounting orientation	vertical
Certificates	suitable for ATEX
Working pressure min./max.	1,5 ... 16 bar
Ambient temperature min./max.	-10 ... 50 °C
Medium temperature min./max.	-10 ... 50 °C
Medium	Compressed air Neutral gases
Nominal flow Qn	5100 l/min
Regulator type	Diaphragm-type pressure regulator
Regulator function	with relieving air exhaust
Adjustment range min./max.	See table below
Pressure supply	single
Filter reservoir volume	49 cm ³
Filter element	exchangeable
Weight	See table below

Technical data

Part No.	Port	filter porosity	Flow	Adjustment range min./max.
			Qn	
R412007200	G 3/8	5 µm	5100 l/min	0,5 ... 8 bar
R412007201	G 3/8	5 µm	5100 l/min	0,5 ... 8 bar
R412007202	G 3/8	5 µm	5100 l/min	0,5 ... 8 bar
R412007206	G 3/8	5 µm	5100 l/min	0,5 ... 8 bar
R412007207	G 3/8	5 µm	5100 l/min	0,5 ... 8 bar
R412007208	G 3/8	5 µm	5100 l/min	0,5 ... 8 bar
R412007209	G 1/2	5 µm	5100 l/min	0,5 ... 8 bar
R412007237	G 1/2	5 µm	5100 l/min	0,5 ... 16 bar
R412007210	G 1/2	5 µm	5100 l/min	0,5 ... 8 bar
R412007211	G 1/2	5 µm	5100 l/min	0,5 ... 8 bar
R412007215	G 1/2	5 µm	5100 l/min	0,5 ... 8 bar
R412007216	G 1/2	5 µm	5100 l/min	0,5 ... 8 bar
R412007217	G 1/2	5 µm	5100 l/min	0,5 ... 8 bar

Part No.	Condensate drain	Pressure gauge	Reservoir
R412007200	semi-automatic, open without pressure	with pressure gauge	Polycarbonate
R412007201	fully automatic, open without pressure	with pressure gauge	Polycarbonate

Part No.	Condensate drain	Pressure gauge	Reservoir
R412007202	fully automatic, closed without pressure	with pressure gauge	Polycarbonate
R412007206	semi-automatic, open without pressure	with pressure gauge	Die cast zinc
R412007207	fully automatic, open without pressure	with pressure gauge	Die cast zinc
R412007208	fully automatic, closed without pressure	with pressure gauge	Die cast zinc
R412007209	semi-automatic, open without pressure	with pressure gauge	Polycarbonate
R412007237	fully automatic, open without pressure	with pressure gauge	Polycarbonate
R412007210	fully automatic, open without pressure	with pressure gauge	Polycarbonate
R412007211	fully automatic, closed without pressure	with pressure gauge	Polycarbonate
R412007215	semi-automatic, open without pressure	with pressure gauge	Die cast zinc
R412007216	fully automatic, open without pressure	with pressure gauge	Die cast zinc
R412007217	fully automatic, closed without pressure	with pressure gauge	Die cast zinc

Part No.	Protective guard	Weight
R412007200	Polyamide	0,658 kg
R412007201	Polyamide	0,707 kg
R412007202	Polyamide	0,707 kg
R412007206	-	0,89 kg
R412007207	-	0,943 kg
R412007208	-	0,943 kg
R412007209	Polyamide	0,658 kg
R412007237	Polyamide	0,658 kg
R412007210	Polyamide	0,707 kg
R412007211	Polyamide	0,707 kg
R412007215	-	0,87 kg
R412007216	-	0,922 kg
R412007217	-	0,922 kg

Pressure gauge enclosed separately, Nominal flow Qn with secondary pressure p2 = 6 bar at $\Delta p = 1$ bar

Suitable for use in Ex zones 1, 2, 21, 22.

Technical information

The pressure dew point must be at least 15 °C under ambient and medium temperature and may not exceed 3 °C .

Note: Polycarbonate reservoirs are susceptible to solvents, supplementary information can be found at "Customer information".

Suitable for use in Ex zones 1, 2, 21, 22.

A change in the flow direction (from air supply on the left to air supply on the right) occurs by rotating installation by 180° about the vertical axis. Please see the operating instructions for further details.

Also suitable for separation of fluid oil or water due to the design.

Max. achievable compressed air class acc. to ISO 8573-1:2010 6 : 7 : -

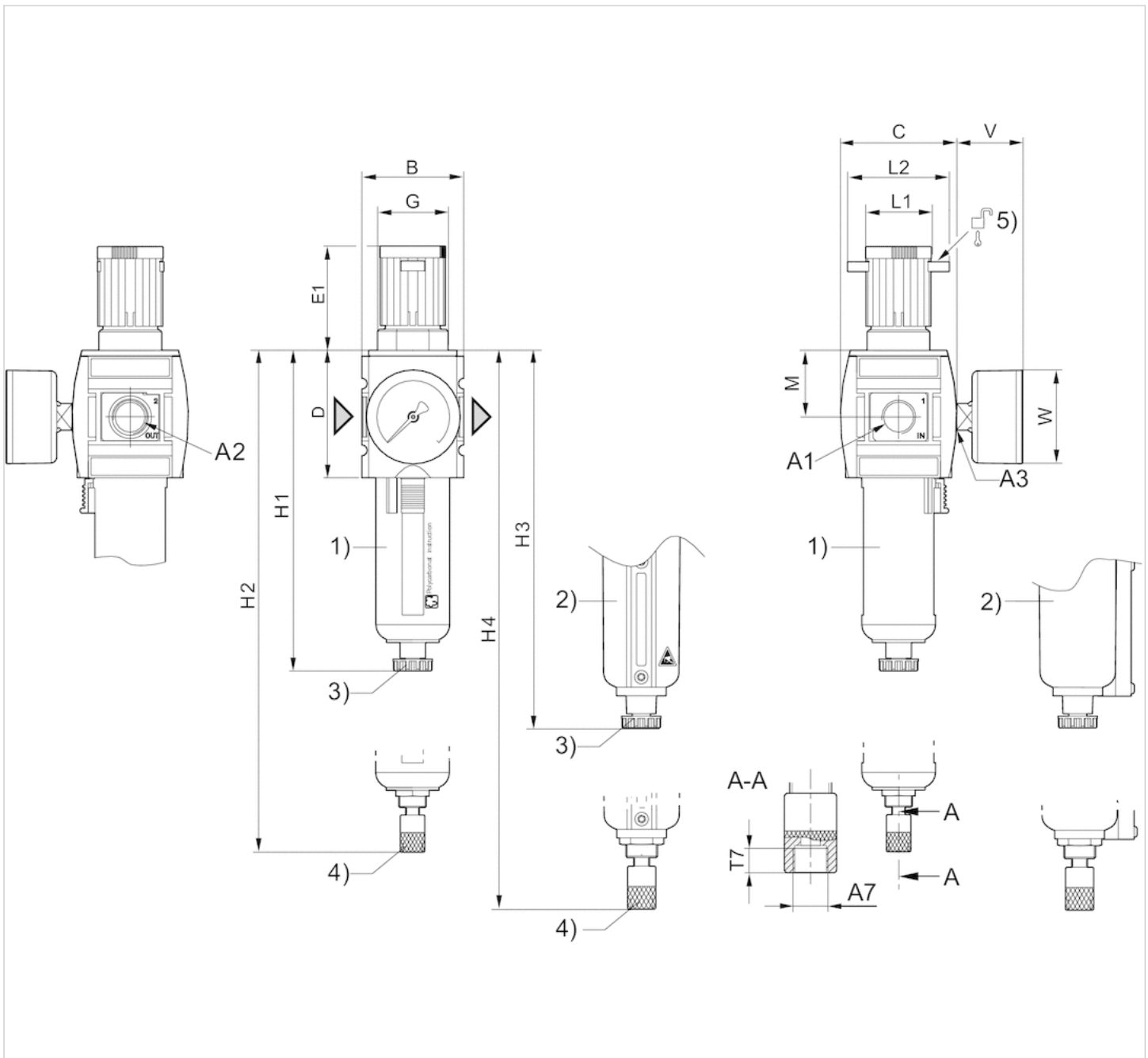
Technical information

Material	
Housing	Polyamide
Front plate	Acrylonitrile butadiene styrene
Seals	Acrylonitrile butadiene rubber

Material	
Threaded bushing	Die cast zinc
Reservoir	Polycarbonate Die cast zinc
Protective guard	Polyamide
Filter insert	Polyethylene

Dimensions

Dimensions



- A1 = input
- A2 = output
- A3 = pressure gauge connection
- A7 = condensate drain
- 1) Plastic reservoir and protective guard with window

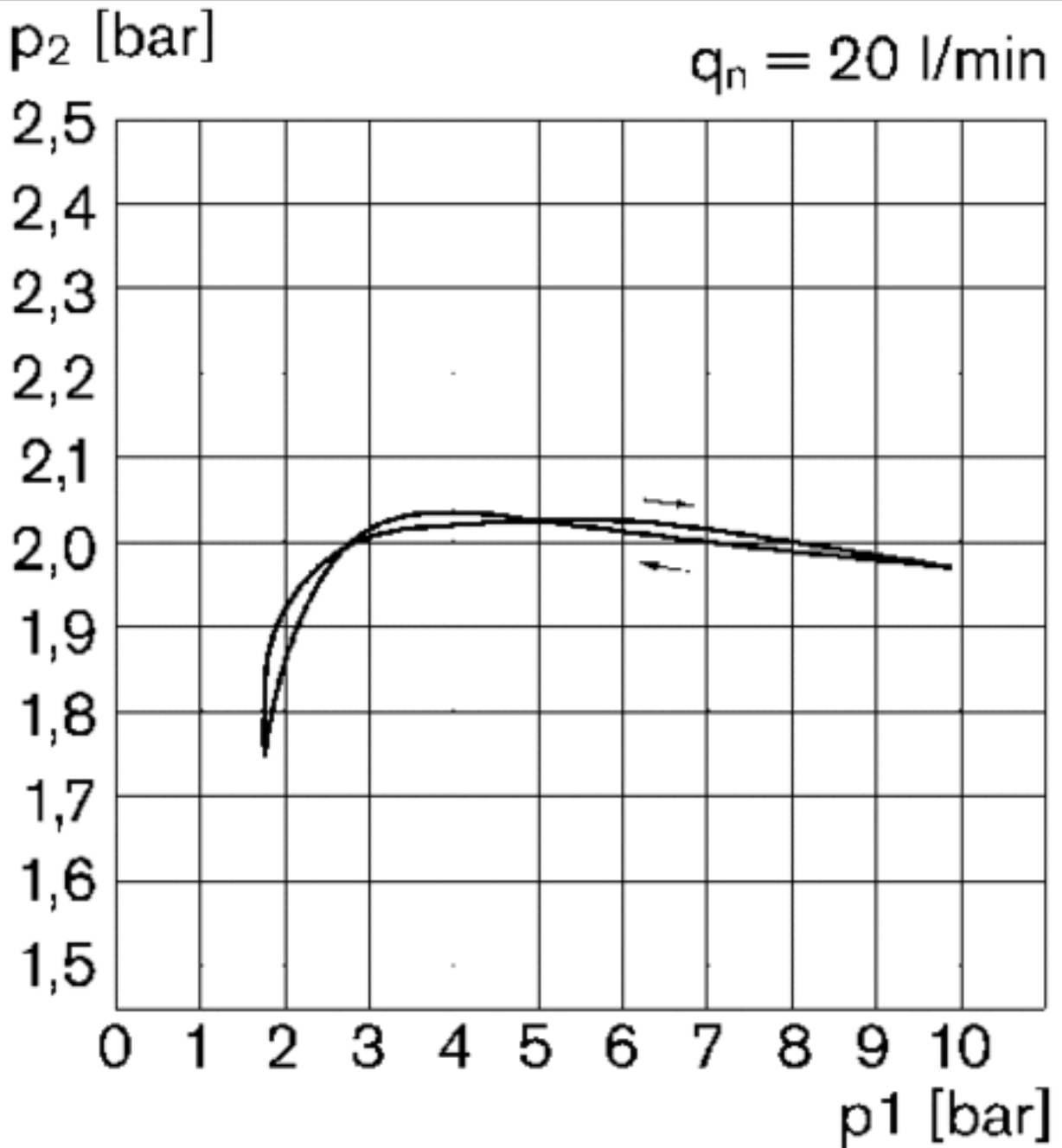
- 2) Metal reservoir with level indicator
- 3) Semi-automatic condensate drain
- 4) Fully automatic condensate drain
- 5) Mounting option for padlocks, max. shackle Ø 8

Dimensions in mm

A1	A2	A3	A7	B	C	D	E1	G	H1	H2	H3	H4	L1	L2	M	T7	V	W
G 3/8	G 3/8	G 1/4	G 1/8	63	74	80	63.5	M42x1,5	189.5	--	--	--	41	60	42.5	8.5	33	50
G 3/8	G 3/8	G 1/4	G 1/8	63	74	80	63.5	M42x1,5	--	206	--	--	41	60	42.5	8.5	33	50
G 3/8	G 3/8	G 1/4	G 1/8	63	74	80	63.5	M42x1,5	--	--	193.5	--	41	60	42.5	8.5	33	50
G 3/8	G 3/8	G 1/4	G 1/8	63	74	80	63.5	M42x1,5	--	--	--	210.5	41	60	42.5	8.5	33	50
G 1/2	G 1/2	G 1/4	G 1/8	63	74	80	63.5	M42x1,5	189.5	--	--	--	41	60	42.5	8.5	33	50
G 1/2	G 1/2	G 1/4	G 1/8	63	74	80	63.5	M42x1,5	--	206	--	--	41	60	42.5	8.5	33	50
G 1/2	G 1/2	G 1/4	G 1/8	63	74	80	63.5	M42x1,5	--	--	193.5	--	41	60	42.5	8.5	33	50
G 1/2	G 1/2	G 1/4	G 1/8	63	74	80	63.5	M42x1,5	--	--	--	210.5	41	60	42.5	8.5	33	50

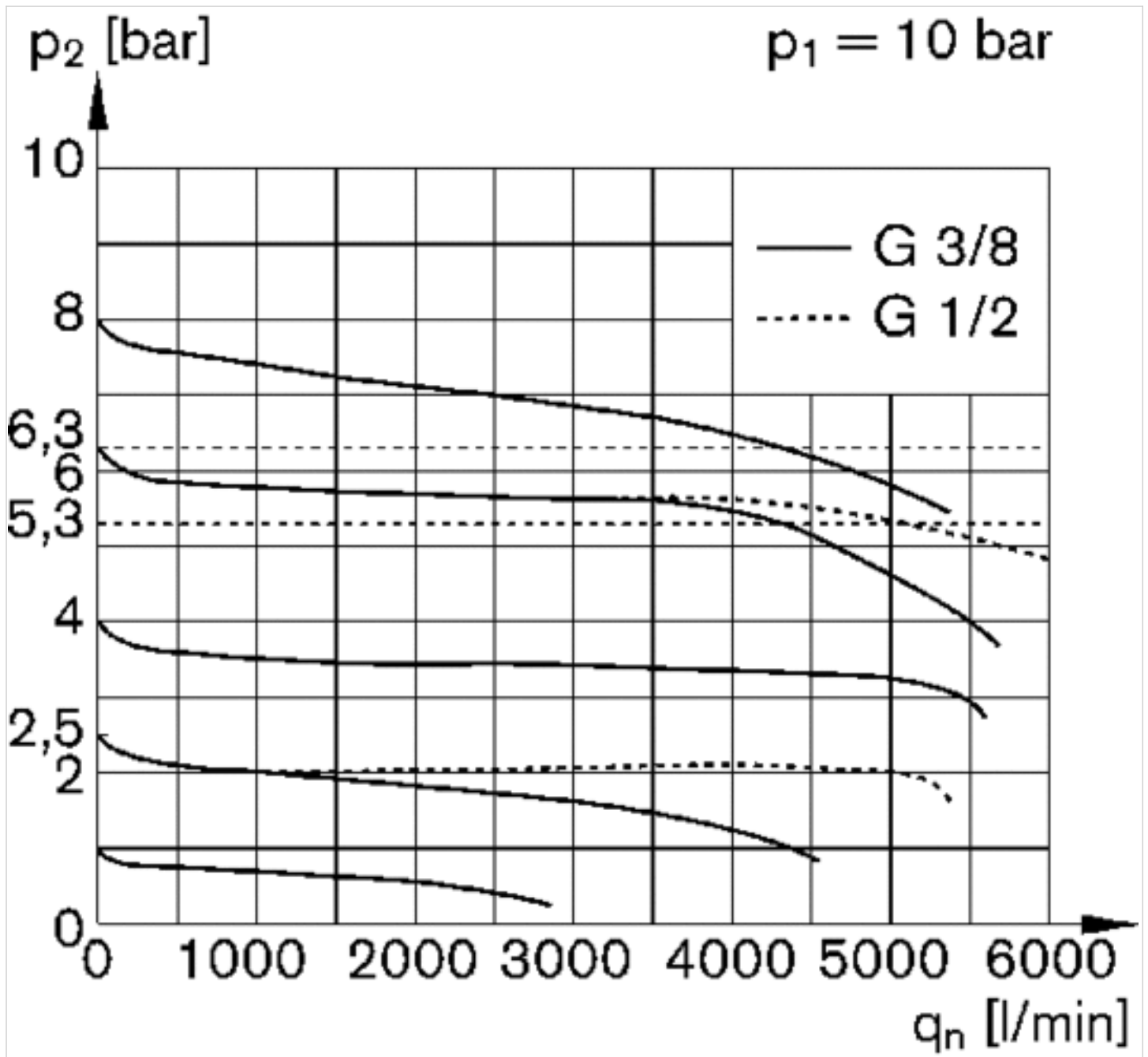
Diagrams

Pressure characteristics curve



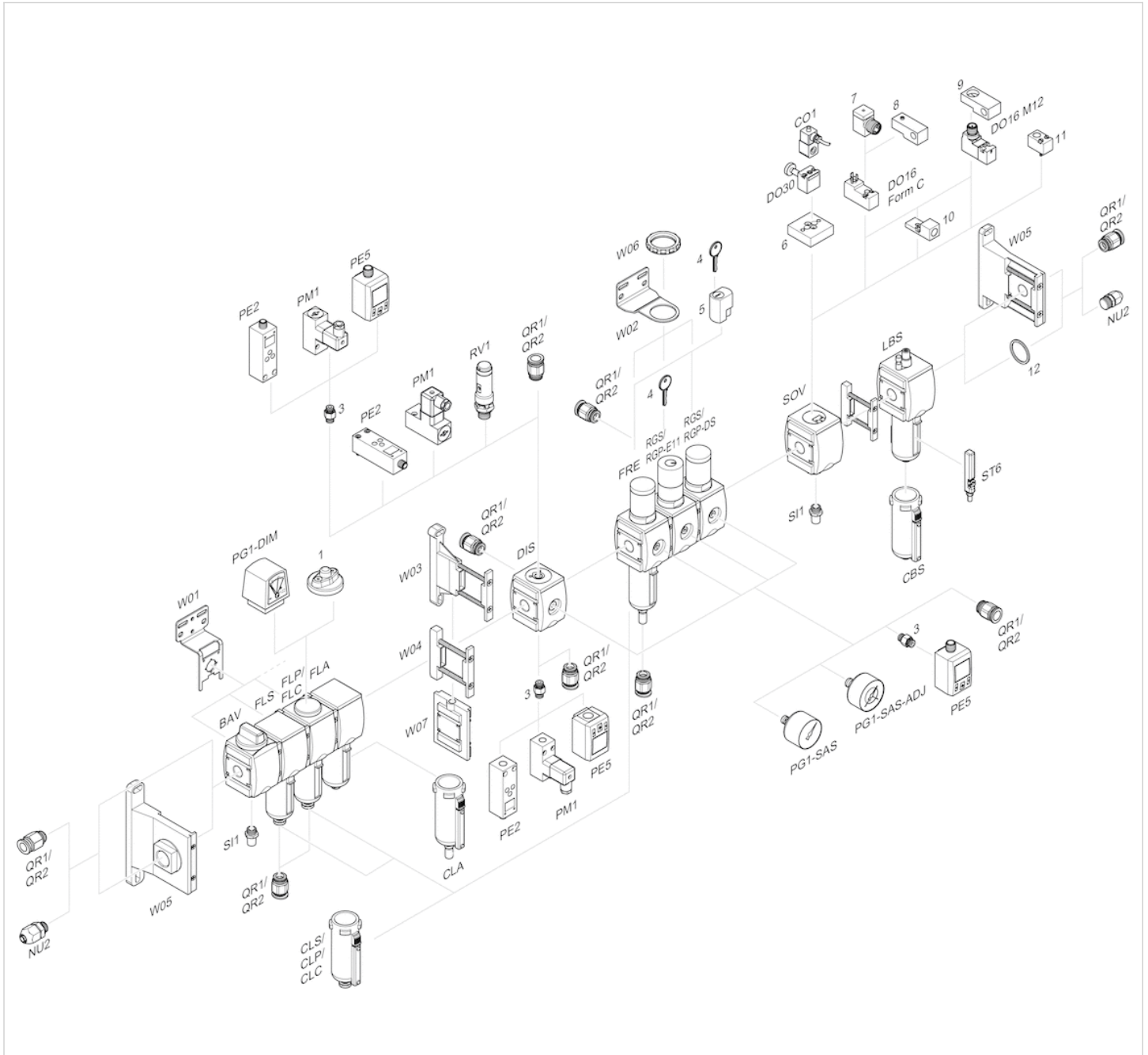
p_1 = Working pressure
 p_2 = Secondary pressure
 q_n = Nominal flow

Flow rate characteristic (p2: 0,5 - 8 bar)



p1 = Working pressure
 p2 = Secondary pressure
 qn = Nominal flow

Accessories overview



- 1 = contamination display
- 3 = Double nipple
- 4 = Key for E11 locking
- 5 = mortise lock
- 6 = Transition plate DO30
- 7 = Adapter, Series CON-VP
- 8 = Mounting aid DO16, form C
- 9 = Mounting aid DO16, M12
- 10 = Adapter for external pilot air
- 11 = Adapter pneumatic operation
- 12 = Sealing ring

Efficient pneumatic solutions, our program: cylinders and drives, valves and valve systems, air supply management



Visit us: [Emerson.com/Aventics](https://www.emerson.com/Aventics)

Your local contact: [Emerson.com/contactus](https://www.emerson.com/contactus)



[Emerson.com](https://www.emerson.com)



[Facebook.com/EmersonAutomationSolutions](https://www.facebook.com/EmersonAutomationSolutions)



[LinkedIn.com/company/Emerson-Automation-Solutions](https://www.linkedin.com/company/Emerson-Automation-Solutions)



[Twitter.com/EMR_Automation](https://twitter.com/EMR_Automation)

An example configuration is depicted on the title page. The delivered product may thus vary from that in the illustration. Subject to change. This Document, as well as the data, specifications and other information set forth in it, are the exclusive property of AVENTICS GmbH. It may not be reproduced or given to third parties without its consent. Only use the AVENTICS products shown in industrial applications. Read the product documentation completely and carefully before using the product. Observe the applicable regulations and laws of the respective country. When integrating the product into applications, note the system manufacturer's specifications for safe use of the product. The data specified only serve to describe the product. No statements concerning a certain condition or suitability for a certain application can be derived from our information. The information given does not release the user from the obligation of own judgement and verification. It must be remembered that the products are subject to a natural process of wear and aging.

The Emerson logo is a trademark and service mark of Emerson Electric Co. Brand logotype are registered trademarks of one of the Emerson family of companies. All other marks are the property of their respective owners. © 2020 Emerson Electric Co. All rights reserved.
2020-12



CONSIDER IT SOLVED™